

KOMET (TWIN) VOLUME GUNS



Komet 101/SR



101/SR w/nozzle-Twin - 18° pivot	part	7-0231	20.9	1018.00
Twin 101/Plus PC-24 deg		6-9769		1018.00
Twin 101/Plus PC-VA 10-28 deg		6-9770		1628.00
Twin 101/Plus FC-24 deg		6-9771		764.00
Waste Water Twin 101/Plus PC-24 deg		6-9772		1120.00
Waste Water Twin 101/Plus PC-VA 10-28 deg		6-9773		1791.00
Waste Water Twin 101/Plus FC-24 deg		6-9774		840.00
Dust Suppression, Twin 101/Plus PC-44 deg		6-9775		1222.00
Dust Suppression, Twin 101/Plus PC-VA 28-24 deg		6-9776		1953.00
Twin 140/Plus PC-VA 10-28 deg		6-9777		1890.00
Dust Suppression, Twin 140/Plus PC-44 deg		6-9778		1684.00
Dust Suppression, Twin 140/Plus PC-VA 28-46 deg		6-9779		2269.00
Twin 160/Plus PC-24 deg		6-9780		1602.00
Twin 160/Plus PC-VA 16-28 deg		6-9781		2353.00
Twin 160/Plus FC-24 deg		6-9782		1202.00
Waste Water Twin 160/Plus PC-24 deg		6-9783		1763.00
Waste Water Twin 160/Plus PC-VA 16-28 deg		6-9784		2588.00
Waste Water Twin 160/Plus FC-24 deg		6-9785		1323.00
Twin 202/Plus PC-VA 16-28 deg		6-9786		2485.00
140/SR w/nozzle 24 deg		7-0251		1403.00
202/SR w/nozzle 24 deg		7-0300		1777.00

* Price includes one nozzle.

Available in 18°, 21°, or 24° angle trajectory

Twin 101/PLUS

PSI	Nozzle 0.47"		Nozzle 0.55"		Nozzle 0.63"		Nozzle 0.71"		Nozzle 0.79"		Nozzle 0.87"		Nozzle 0.94"	
	GPM	DIA.	GPM	DIA.	GPM	DIA.	GPM	DIA.	GPM	DIA.	GPM	DIA.	GPM	DIA.
30	40	183'	55	203'	72	220'	91	234'	112	250'	136	265'	162	279'
40	45	197'	62	215'	80	232'	102	250'	125	267'	152	283'	181	300'
50	50	212'	67	230'	88	247'	111	266'	138	282'	167	298'	198	315'
60	54	225'	73	244'	95	262'	120	280'	149	297'	180	314'	214	323'
70	57	237'	78	257'	102	276'	129	294'	159	312'	192	329'	229	344'
80	61	248'	83	269'	108	289'	137	308'	169	326'	204	343'	243	359'
90	64	257'	87	280'	114	300'	144	320'	178	339'	215	357'	256	374'
100	67	265'	91	290'	119	310'	151	331'	186	351'	225	369'	268	388'
110														
120														

Twin 140/PLUS

PSI	Nozzle 0.63"		Nozzle 0.71"		Nozzle 0.79"		Nozzle 0.87"		Nozzle 0.94"		Nozzle 1.02"		Nozzle 1.10"		Nozzle 1.18"	
	GPM	DIA.	GPM	DIA.	GPM	DIA.	GPM	DIA.	GPM	DIA.	GPM	DIA.	GPM	DIA.	GPM	DIA.
30	62	201'	79	217'	97	232'	118	247'	140	260'	164	275'	191	286'	219	300'
40	72	220'	91	234'	112	250'	136	265'	162	279'	190	293'	220	307'	253	318'
50	80	232'	102	250'	125	267'	152	283'	181	300'	212	315'	246	330'	283	343'
60	88	247'	111	266'	138	282'	167	298'	198	315'	233	331'	270	347'	310	360'
70	95	262'	120	280'	149	297'	180	314'	214	323'	251	347'	291	362'	334	376'
80	102	276'	129	294'	159	312'	192	329'	229	344'	269	361'	311	376'	358	391'
90	108	289'	137	308'	169	326'	204	343'	243	359'	285	376'	330	392'	379	407'
100	114	300'	144	320'	178	339'	215	357'	256	374'	300	390'	348	407'	400	422'
110	119	310'	151	331'	186	351'	225	369'	268	388'	315	404'	365	421'	419	437'
120	125	318'	158	341'	195	362'	235	380'	280	400'	329	416'	381	432'	437	448'

Twin 160/PLUS

PSI	Nozzle 0.79"		Nozzle 0.89"		Nozzle 0.98"		Nozzle 1.08"		Nozzle 1.18"		Nozzle 1.28"		Nozzle 1.38"		Nozzle 1.48"	
	GPM	DIA.	GPM	DIA.	GPM	DIA.	GPM	DIA.	GPM	DIA.	GPM	DIA.	GPM	DIA.	GPM	DIA.
40	110	229'	139	239'	172	254'	208	268'	248	279'	291	291'	337	301'	387	309'
50	123	269'	156	284'	192	302'	233	317'	277	333'	325	348'	377	364'	433	377'
60	135	294'	171	315'	211	334'	255	350'	303	367'	356	386'	413	401'	474	414'
70	146	308'	184	332'	227	350'	275	371'	328	390'	384	407'	446	422'	512	435'
80	156	321'	197	345'	243	364'	294	384'	350	404'	411	421'	476	436'	547	450'
90	165	329'	209	352'	258	374'	312	395'	371	413'	436	429'	506	444'	580	457'
100	174	334'	220	357'	272	379'	329	401'	392	418'	459	434'	533	450'	612	461'
110	182	336'	231	359'	285	382'	345	404'	411	421'	482	438'	559	453'	642	465'
120	191	339'	241	363'	298	385'	360	407'	429	424'	503	442'	584	456'	670	469'

Twin 202/PLUS

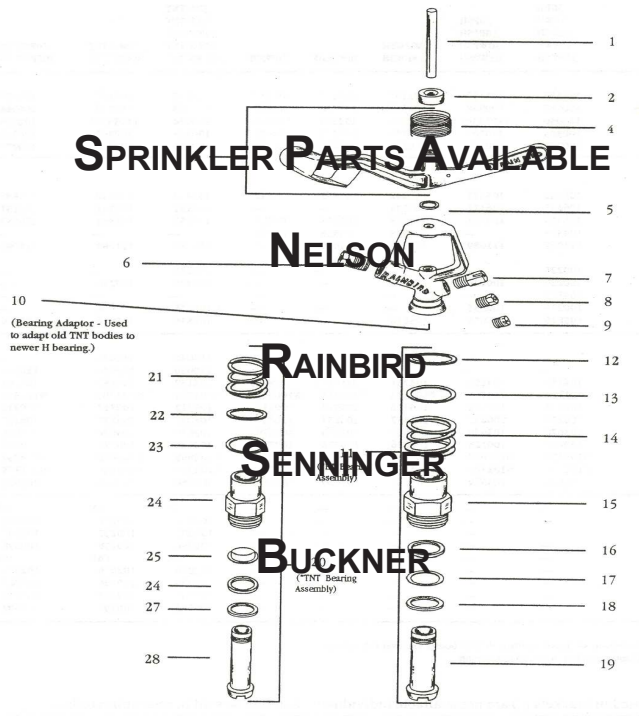
PSI	Nozzle 0.79"		Nozzle 0.89"		Nozzle 0.98"		Nozzle 1.08"		Nozzle 1.18"		Nozzle 1.28"		Nozzle 1.38"		Nozzle 1.48"	
	GPM	DIA.	GPM	DIA.	GPM	DIA.	GPM	DIA.	GPM	DIA.	GPM	DIA.	GPM	DIA.	GPM	DIA.
40	110	229'	139	239'	172	254'	208	268'	248	279'	291	291'	337	301'	387	309'
50	123	269'	156	284'	192	302'	233	317'	277	333'	325	348'	377	364'	433	377'
60	135	294'	171	315'	211	334'	255	350'	303	367'	356	386'	413	401'	474	414'
70	146	308'	184	332'	227	350'	275	371'	328	390'	384	407'	446	422'	512	435'
80	156	321'	197	345'	243	364'	294	384'	350	404'	411	421'	476	436'	547	450'
90	165	329'	209	352'	258	374'	312	395'	371	413'	436	429'	506	444'	580	457'
100	174	334'	220	357'	272	379'	329	401'	392	418'	459	434'	533	450'	612	461'
110	182	336'	231	359'	285	382'	345	404'	411	421'	482	438'	559	453'	642	465'
120	191	339'	241	363'	298	385'	360	407'	429	424'	503	442'	584	456'	670	469'

Product	Description	Part Number	Weight	List Price
---------	-------------	-------------	--------	------------

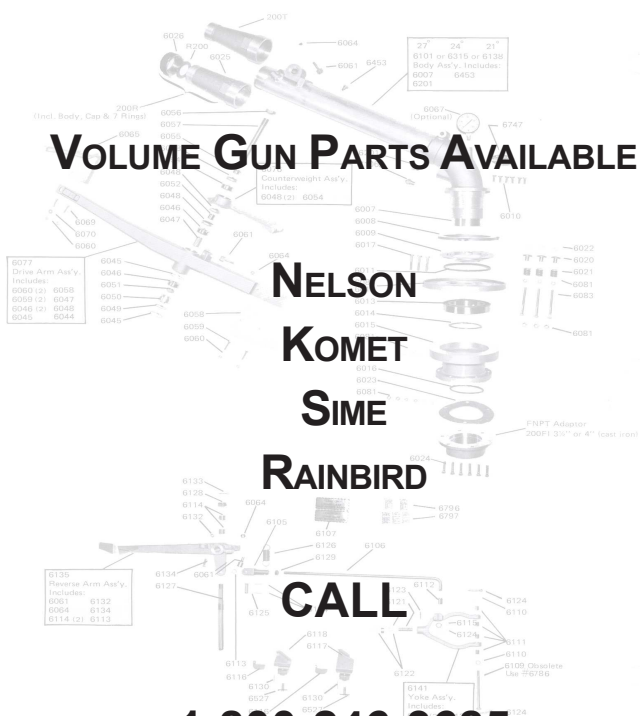
Volume Gun Comparison

Gun	Part #	GPM	Ave GPM	Diameter	Ave Dia	List
River	7-0325	23-131	77	120-228	174	\$ 319.00
Skipper	7-0303	23-215	119	120-282	201	\$ 329.00
Mercury	7-0304	23-215	119	120-282	201	\$ 575.00
Twin 101SR	7-0231	40-268	154	183-388	286	\$ 1,018.00
Nelson SR100	7-0295	47-304	176	191-380	286	\$ 1,111.13
Big River	7-0305	119-378	249	196-354	275	\$ 795.00
Twin 140SR	7-0251	62-437	250	201-448	325	\$ 1,403.00
Nelson SR150	7-0250	100-545	323	250-460	355	\$ 1,769.93
Twin 160SR	6-9780	110-584	347	229-456	343	\$ 1,602.00
Mariner	7-0306	173-571	372	274-440	357	\$ 895.00
Polaris	7-0326	263-598	431	302-418	360	\$ 945.00
Twin 202SR	7-0300	110-762	436	229-476	353	\$ 1,777.00
Gemini	7-0307	319-1110	715	328-570	449	\$ 1,075.00
Nelson SR200	7-0290	250-1210	730	345-620	483	\$ 3,233.38

SPRINKLER PARTS AVAILABLE

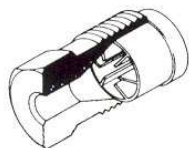


VOLUME GUN PARTS AVAILABLE



NOZZLES & PRESS REGULATORS

NOZZLE FOR 3/4" SPRINKLER

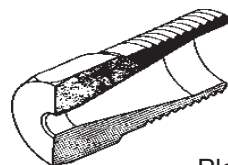


Order vane separately.



Range 1/8"	.125	7-0360	--	.79
Range - 9/64"	.140625	7-0330	--	.79
Range - 5/32"	.15625	7-0331	--	.79
Range - 11/64"	.171875	7-0332	--	.79
Range - 3/16"	.1875	7-0333	--	.79
Range - 13/64"	.203125	7-0334	--	.79
Range - 7/32"	.21875	7-0335	--	.79
Range - 15/64"	.234375	7-0336	--	.79
Range - 1/4"	.25	7-0337	--	.79
Range - 17/64"	.265625	7-0338	--	.79
Range - 9/32"	.28125	7-0339	--	.79
Back Plug		7-0342	--	.80
Spreader - 20° - 3/32"	.09375	7-0340	--	.98
Spreader - 20° - 7/64"	.109375	7-0366	--	.98
Spreader - 20° - 1/8"	.125	7-0341	--	.98
Spreader - 20° - 9/64"	.140625	7-0362	--	.98
Spreader - 20° - 5/32"	.15625	7-0361	--	.98
Spreader - 20° - 11/64"	.171875	7-0364	--	.98
Spreader - 20° - 3/16"	.1875	7-0365	--	.98
Spreader - 20° - 7/32"	.21875	7-0363	--	.98
Vanes for #30 (push-in)		6-9692		0.40

NOZZLE FOR 1" SPRINKLER



Brass:	Range - 7/32"	.21875	7-0343	--	4.72
	Range - 1/4"	.25	7-0344	--	4.72
	Range - 9/32"	.28125	7-0345	--	4.72
	Range - 5/16"	.3125	7-0346	--	4.72
	Range - 11/32"	.34375	7-0347	--	4.72
	Range - 3/8"	.375	7-0348	--	4.72
	Range - 13/32"	.40625	7-0349	--	4.72

*above for Rainbird #65 & #70

Plastic:	Range - #14 - 7/32"	.21875	7-0350	--	1.00
	Range - #16 - 1/4"	.25	7-0351	--	1.00
	Range - #18 - 9/32"	.28125	7-0352	--	1.00
	Range - #20 - 5/16"	.3125	7-0353	--	1.00
	Range - #22 - 11/32"	.34375	7-0354	--	1.00
	Range - #24 - 3/8"	.3375	7-0355	--	1.00

*above for Senninger #7025

BEARING ASSEMBLY FOR #30 RAINBIRD



7-0356	9.50
--------	------

PRESSURE REGULATOR



3/4" x 3/4"	15psi	7-0310	0.5	12.00
3/4" x 3/4"	20psi	7-0311	0.5	12.00
3/4" x 3/4"	25psi	7-0312	0.5	12.00
3/4" x 3/4"	30psi	7-0313	0.5	12.00
3/4" x 3/4"	40psi	7-0314	0.5	12.00
3/4" x 3/4"	50psi	7-0315	0.5	12.00
1-1/4" x 1"	10psi	7-0316	0.6	25.00
1-1/4" x 1"	15psi	7-0317	0.6	25.00
1-1/4" x 1"	20psi	7-0318	0.6	25.00
1-1/4" x 1"	30psi	7-0319	0.6	25.00
1-1/4" x 1"	40psi	7-0320	0.6	25.00
1-1/4" x 1"	50psi	7-0321	0.6	25.00

Both ends are Female threaded.
Male available upon request.
Also available as 1" x 1". Please call for price.

Gun Stands/Sprinklers

RIVER GEAR DRIVE SPRINKLERS

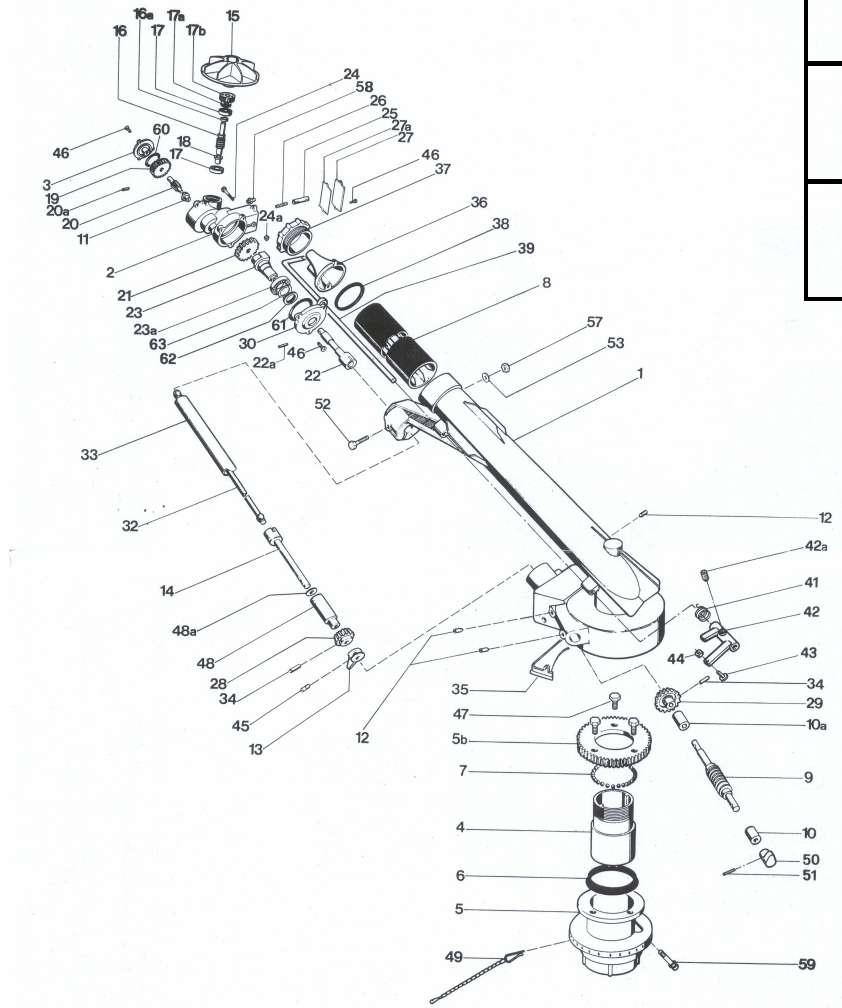


Product	Description	Part Number	Weight	List Price
RIVER P-190	River w/nozzle	part 7-0325		322.00



1 1/2" FPT base
includes 3 nozzles
120' - 228' Diameter

River 190 28 Degree				
Nozzle Diamter		Pressure	Diameter	Discharge
Inch	MM	PSI	Feet	GPM
0.4	10	29	120	23
		37	132	26
		44	136	28
		56	150	33
0.47	12	37	136	38
		44	144	41
		51	156	44
0.55	14	56	170	47
		37	136	51
		44	150	56
0.63	16	51	164	61
		66	176	68
		44	164	73
0.71	18	51	176	79
		56	188	84
		70	204	94
		44	164	92
		56	204	107
		70	216	119
		85	228	131



Gear-driven sprinklers are ideal for use on delicate seeds and plants or on heavy soils where light, gentle applications are required. Smooth running, continuous rotation makes these ideal for use on tripods, travelers or as an end sprinkler on pivots.

All nozzles come complete with 22° and 28° trajectory nozzles. Companion flanges included.

Advantages of "Sime" green Italian gear-driven volume sprinklers

- Smooth, continuous rotation with superior stream break-up and less vibration compared to impact driven guns.
- Gentle sweeps are ideal for tender crops such as carrots, spinach, green beans, etc.
- Give better coverage due to their rapid rotation (average 90 seconds).
- Will run in lower temperatures without freezing.
- Includes flip nozzles allowing one gun to have 22 & 28 degree capabilities.
- Full & part-circle arc adjustments require no tools.
- Priced lower than impact-driven volume guns.
- Optional 25° nozzle available.

ITEM #	DESCRIPTION	PART #	LIST PRICE	ITEM #	DESCRIPTION	PART #	LIST PRICE
	River						
1	Sprinkler Body	30168	\$ 132.00	26	Inversion Spring	30203	\$ 1.50
2	Gearbox	30169	34.50	27	Cover	30204	3.00
02	Complete Gearbox	10053	265.50	28	Gear Z11	30205	6.00
02am	Complete American Gearbox	10169	382.50	29	Gear Z14	30206	6.00
03	Gearbox Cover	10378	10.50	30	Cover	30207	6.00
4	Internal Body	30172	40.50	32	Shafting Bar	20031	9.00
05	Complete Crown	10054	165.00	33	Shafting Bar Cover	20032	7.50
05a	Crown	10380	67.50	34	Elastic Pin	30208	1.50
5b	Toothed Ring	30175	31.50	35	Inversion Lever Cover	30209	3.00
6	U-Packing	30176	7.50	36	Nozzle 10Mm (.40"), River	30210-10	10.50
7	Sphere	30177	0.30	36	Nozzle 12Mm (.47"), River	30210-12	10.50
8	Rectifier	30178	6.00	36	Nozzle 14Mm (.55"), River	30210-14	10.50
9	Endless Screw	30620	31.50	36	Nozzle 16Mm (.63"), River	30210-16	10.50
10	External Body Bearing	30180	4.50	36	Nozzle 18Mm (.71"), River	30210-18	10.50
10a	Internal Body Bearing	30181	4.50	37	Nozzle Lock Ring	30211	4.50
11	Pinion Bearing	30182	3.00	38	Nozzle Packing	30567	1.50
12	Grub Screw	30183	1.50	039	Complete Jet-Breaker	10091-S	12.00
13	Inversion Lever	30184	7.50	41	Spring For Lever	30214	3.00
14	Complete Shaft	10084-S	12.00	42	Stream Breaker Lever	30215	7.50
15	Propeller	30186	22.50	042	Complete Stream Breaker Lever	10055	16.50
15a	Du-Bearing For Gearbox	30677	6.00	42a	Grub Screw	30216	1.50
16	Endless Screw	30628	30.00	43	Screw For Lever	30217	3.00
16a	Grub Screw	30187	1.50	44	Nut	30218	1.50
017	Bearing House	10293	22.50	45	Grub Screw	30219	1.50
17a	Du-Bearing	30189	6.00	46	Screw	30220	1.50
18	Blind Bearing	30190	9.00	47	Screw	30221	1.50
19	Toothed Wheel	30191	18.00	048	Shaft Bearing	10398-S	7.50
20	Gearbox Pinion	30192	9.00	48a	Washer	30223	1.50
020	Complete Pinion	10365-S	30.00	049	Inversion Cotter Pin	10086-S	9.00
20a	Pin For Pinion	30193	1.50	50	Cam	30227	3.00
21	Gearbox Gear	30109	12.00	51	Elastic Pin	30228	1.50
22	Gearbox Shaft	30195	12.00	52	Screw	30229	1.50
22a	Pin	30196	1.50	53	Washer	30230	1.50
023	Gearbox Support	10411	27.00	54	Grease Nipple	30231	1.50
23a	Ball Bearing	30198	18.00	57	Nut	30232	1.50
24	Screw	30199	1.50	58	Grease Nipple	30233	1.50
24a	Nut	30200	1.50	59	Grease Nipple	30234	3.00
25	Spring House	30201	4.50				

SKIPPER GEAR DRIVE SPRINKLERS



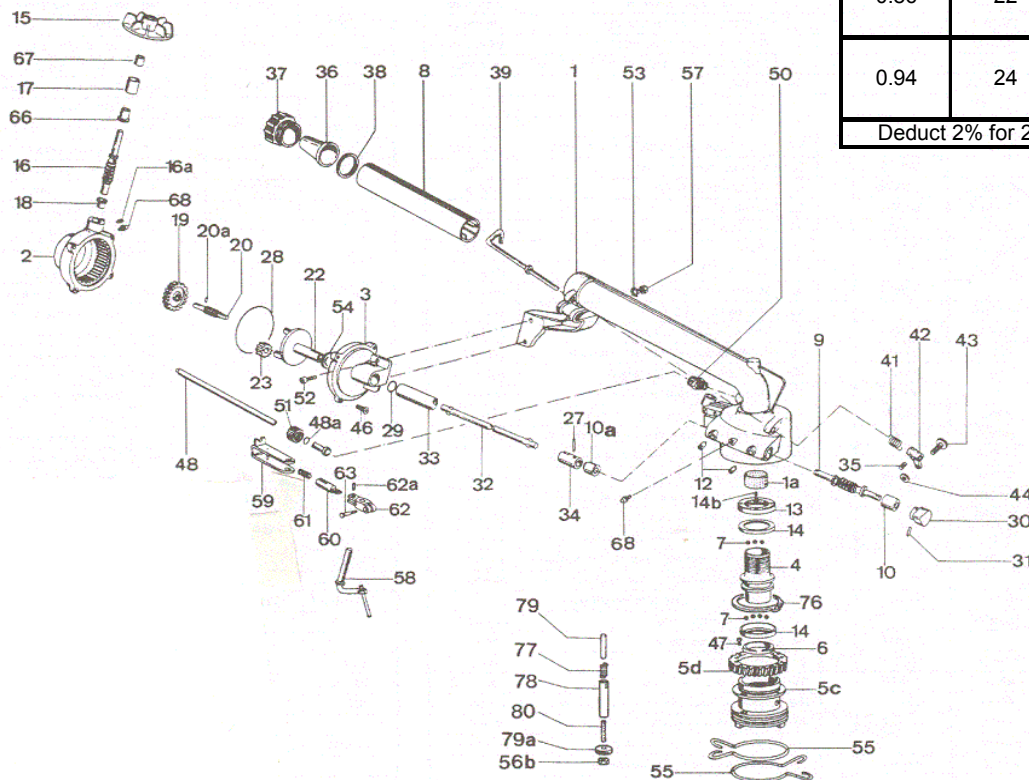
Product	Description	Part Number	Weight	List Price
SKIPPER (P-191)	Skipper w/nozzle high speed	7-0303	14.0	329.00
	Skipper Tool (to open gear box)	6-9582		32.00



1 1/2" FPT
 includes 5 flip nozzles for 22° & 28° angles.
 144' - 268' Diameter

Skipper 191 28 Degree				
Nozzle Diamter		Pressure	Diameter	Discharge
Inch	MM	PSI	Feet	GPM
0.4	10	29	120	23
		37	132	26
		44	136	28
		56	150	33
0.47	12	29	144	42
		44	164	51
		56	184	59
		70	202	66
0.56	14	29	156	51
		44	176	66
		56	196	76
		70	216	86
0.63	16	29	170	68
		44	190	83
		56	208	96
		70	228	107
0.71	18	29	182	54
		44	202	106
		56	222	124
		70	242	137
0.78	20	29	196	93
		44	216	106
		56	242	124
		70	268	163
0.86	22	44	236	161
		51	254	186
		56	274	209
		70	294	232
0.94	24	44	248	167
		51	262	193
		56	282	215
		70	302	237

Deduct 2% for 25 deg and 5% for 22 deg nozzles.



SKIPPER GEAR DRIVE SPRINKLERS

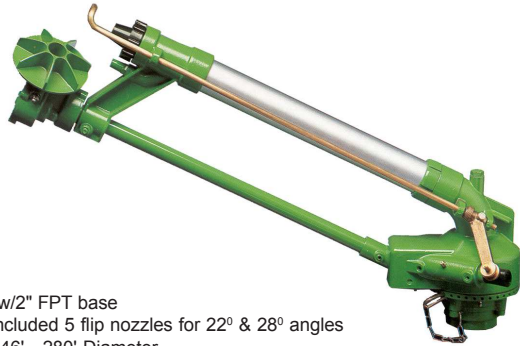
ITEM #	DESCRIPTION	PART #	LIST PRICE	ITEM #	DESCRIPTION	PART #	LIST PRICE
	Skipper						
1	Sprinkler Body	10402-S	\$ 154.50	36a	Nozzle, Flip 22/28 Deg, 14Mm (.55")	3010354-14	\$ 10.50
2	Complete Gearbox	10148-S	240.00	36a	Nozzle, Flip 22/28 Deg, 16Mm (.63")	3010354-16	10.50
2	Gearbox	30737	34.50	36a	Nozzle, Flip 22/28 Deg, 18Mm (.71")	3010354-18	10.50
3	Gearbox Cover	30738	15.00	36a	Nozzle, Flip 22/28 Deg, 20Mm (.78")	3010354-20	10.50
4	Internal Body	30739	37.50	36a	Nozzle, Flip 22/28 Deg, 22Mm (.86")	3010354-22	10.50
5	Crown	10379	66.00	36a	Nozzle, Flip 22/28 Deg, 24Mm (.94")	3010354-24	10.50
05/C	Complete Mounted Crown	10149-S	138.00	37	Nozzle Lock Ring	30211	4.50
5d	Ring Crown	3010377	24.00	38	Packing For Nozzle	30567	1.50
6	U-Packing	30743	7.50	39	Jet-Breaker	10183-S	12.00
7	Sphere	30077	0.30	41	Jet-Breaker Ring	30764	3.00
8	Rectifier	30178	6.00	42	Complete Jet-Breaker Lever	10150	16.50
9	Body Endless Screw	30745	31.50	42	Jet-Breaker Lever	30765	7.50
10	External Bearing	30746	4.50	43	Screw For Lever	30217	3.00
10a	Internal Bearing	30747	4.50	44	Nut	30218	1.50
11	Pinion Bearing	30748	3.00	46	Screw	30767	1.50
12	Grub Screw	30183	1.50	47	Screw	30768	1.50
13	Threaded Ring For Crown	20108	16.50	48	Secondary Pipe	20112	18.00
14	Ball Bearing Ring	20109	12.00	48a	O-Ring D. 17,6 X 10 X 3,8	30734	1.50
14b	Grub Screw	30752	1.50	50	Secondary Nozzle	30770	16.50
15	Propeller	30753	21.00	51	Ferrule	30771	10.50
16	Endless Screw	30628	30.00	52	Screw	30578	1.50
16a	Grub Screw	30187	1.50	53	Washer	30772	1.50
17	Bearing House	10293	22.50	54	Washer	30773	1.50
18	Blind Bearing	30190	9.00	55	Inversion Ring	30774	16.50
19	Toothed Wheel	30191	18.00	56b	Nut M4	30839	1.50
20	Gearbox Pinion	30755	9.00	57	Nut	30511	1.50
20a	Pin For Pinion	30193	1.50	58	Central Shaft	10191-S	24.00
22	Planetary Slow	10255	25.50	59	Inversion Fork	10366	33.00
23	Slow Speed Gear	30758	3.00	59a	Pin For Fork	30778	1.50
28	O-Ring 2237	30613	1.50	60	Spring House	30779	7.50
29	O-Ring 121	30678	1.50	61	Inversion Spring	301093	3.00
30	Cam	30227	3.00	62	Complete Inversion Lever Clamp	10295	30.00
31	Elastic Pin	30228	1.50	62a	Pin For Clamp	30782	1.50
32	Shafting Bar	20107	9.00	63	Screw	30783	1.50
33	Shafting Bar Cover	20162	7.50	64a	Spring For Bolt	30785	1.50
35	Grub Screw	30216	1.50	65	Bearing	30786	3.00
36	Nozzle, Standard 25 Deg, 10Mm (.40")	30566-10	10.50	66	Du Bearing	30677	6.00
36	Nozzle, Standard 25 Deg, 12Mm (.47")	30566-12	10.50	67	Du Bearing	30189	6.00
36	Nozzle, Standard 25 Deg, 14Mm (.55")	30566-14	10.50	68	Grease Nipple	30233	1.50
36	Nozzle, Standard 25 Deg, 16Mm (.63")	30566-16	10.50	75	Washer D. 5	30959	1.50
36	Nozzle, Standard 25 Deg, 18Mm (.71")	30566-18	10.50	76	Seeger	3010378	7.50
36	Nozzle, Standard 25 Deg, 20Mm (.78")	30566-20	10.50	77	Spring	3010379	1.50
36	Nozzle, Standard 25 Deg, 22Mm (.86")	30566-22	10.50	78	Spacer	3010380	3.00
36	Nozzle, Standard 25 Deg, 24Mm (.94")	30566-24	10.50	79	Shafting Bar	3010381	4.50
36a	Nozzle, Flip 22/28 Deg, 10Mm (.40")	3010354-10	10.50	79a	Washer	3010382	1.50
36a	Nozzle, Flip 22/28 Deg, 12Mm (.47")	3010354-12	10.50	80	Prisoner	3010383	6.00

Gun Stands/Sprinklers

MERCURY GEAR DRIVE SPRINKLERS



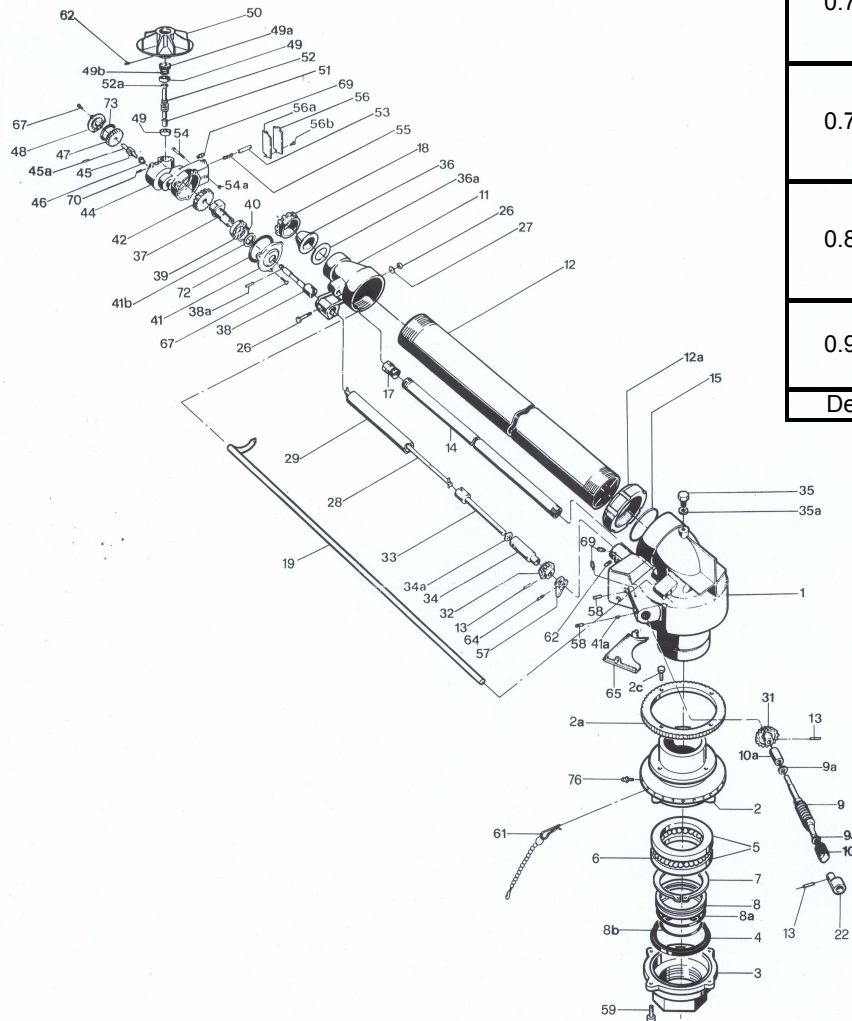
Product	Description	Part Number	Weight	List Price
MERCURY (P-202)	Mercury w/nozzle	part 7-0304	22.0	580.00



*w/2" FPT base
included 5 flip nozzles for 22° & 28° angles
146' - 280' Diameter

Mercury 202 28 Degree				
Nozzle Diamter		Pressure	Diameter	Discharge
Inch	MM	PSI	Feet	GPM
0.4	10	29	120	23
		37	132	26
		44	136	28
		56	150	33
0.47	12	29	144	42
		44	164	51
		56	184	59
		70	202	66
0.55	14	29	146	65
		44	164	79
		56	182	91
		70	200	102
0.63	16	29	158	78
		44	170	96
		56	196	111
		70	214	124
0.71	18	44	184	105
		56	200	119
		70	216	130
		85	250	170
0.78	20	44	208	142
		56	228	165
		70	250	180
		85	276	203
0.86	22	44	220	161
		56	238	186
		70	262	209
		85	280	228
0.94	24	44	248	167
		56	262	193
		70	282	215

Deduct 2% for 25 deg and 5% for 22 deg nozzles.



ITEM #	DESCRIPTION	PART #	LIST PRICE	ITEM #	DESCRIPTION	PART #	LIST PRICE
	Mercury						
1	Sprinkler Body	30681	\$ 225.00	36	Nozzle, Standard 25 Deg, 24Mm (.94")	30566-24	\$ 10.50
2	Crown	10443	132.00	36a	Packing For Nozzle	30567	1.50
2a	Toothed Ring	30683	51.00	36i	Nozzle, Flip 22/28 Deg, 10Mm (.40")	3010354-10	10.50
2c	Screw	30221	1.50	36i	Nozzle, Flip 22/28 Deg, 12Mm (.47")	3010354-12	10.50
3	Body Support	30684	67.50	36i	Nozzle, Flip 22/28 Deg, 14Mm (.55")	3010354-14	10.50
4	U-Packing	30685	7.50	36i	Nozzle, Flip 22/28 Deg, 16Mm (.63")	3010354-16	10.50
5	Ball Bearing Ring	30686	22.50	36i	Nozzle, Flip 22/28 Deg, 18Mm (.71")	3010354-18	10.50
6	Sphere	30077	0.30	36i	Nozzle, Flip 22/28 Deg, 20Mm (.78")	3010354-20	10.50
7	Fastener Ring	30687	4.50	36i	Nozzle, Flip 22/28 Deg, 22Mm (.86")	3010354-22	10.50
8	U-Packing Ring	30688	19.50	36i	Nozzle, Flip 22/28 Deg, 24Mm (.94")	3010354-24	10.50
8a	External O-Ring	30689	3.00	37	Gearbox Support	10411	27.00
8b	Internal O-Ring	30690	3.00	38	Gearbox Shaft	30106	15.00
9	Endless Screw Body	30691	52.50	38a	Elastic Pin	30196	1.50
9a	Washer	30080	1.50	39	Ball Bearing	30198	18.00
10	Threaded Bearing	10397	10.50	40	Du-Bearing For Gearbox	30677	6.00
010a	Internal Bearing	10395	7.50	41	Cover	30207	6.00
11	Pipe Head	30693	66.00	41a	Plug	30108	1.50
12	Complete Principal Pipe	10377-S	168.00	42	Gearbox Gear	30109	12.00
12	Principal Pipe	20098	70.50	43	Grub Screw	30160	1.50
12a	Ferrule For Pipe	30527	25.50	44	Complete Gearbox	10061	273.00
13	Elastic Pin	30208	1.50	44	Gearbox	30169	34.50
15	O-Ring	30588	3.00	45	Complete Pinion	10365-S	30.00
17	Secondary Nozzle	30087	6.00	45	Pinion	30192	9.00
18	Nozzle Lock Ring	30211	4.50	45a	Pin For Pinion	30193	1.50
19	Jet Breaker Bar	20096	37.50	46	Pinion Bearing	30182	3.00
21	Stream Breaker Lever	10147	49.50	47	Toothed Wheel	30191	18.00
21a	Screw	30091	1.50	48	Cover With Bearing	10378	10.50
22	Camme	30871	3.00	49	Bearing House	10293	22.50
23	Screw For Lever	30093	6.00	49a	Du-Bearing	30189	6.00
24	Nut For Lever	30094	2.25	50	Propeller	30112	22.50
26	Screw	30229	1.50	51	Blind Bearing	30190	9.00
26a	Nut	30232	1.50	52	Endless Screw	30628	30.00
27	Washer	30230	1.50	53	Spring House	30201	4.50
28	Shafting Bar	20097	7.50	54	Screw	30199	1.50
29	Shafting Bar Cover	20144	7.50	54a	Nut	30200	1.50
30	Spring For Lever	30697	3.00	55	Inversion Spring	30113	1.50
31	Lateral Bevel Pinion	30098	28.50	56	Cover	30204	3.00
32	Central Bevel Pinion	30099	22.50	57	Inversion Lever	30184	7.50
33	Shaft	10083-S	21.00	58	Grub Screw	30118	1.50
34	Shaft Bearing	10401-S	16.50	59	Screw	30559	1.50
34a	Washer	30223	1.50	60	Ring	30699	4.50
35	Plug	30102	6.00	61	Inversion Cotter Pin	10086-S	9.00
35a	Washer	30103	1.50	62	Grub Screw	30118	1.50
36	Nozzle, Standard 25 Deg, 10Mm (.40")	30566-10	10.50	64	Grub Screw	30219	1.50
36	Nozzle, Standard 25 Deg, 12Mm (.47")	30566-12	10.50	65	Inversion Lever Cover	30120	6.00
36	Nozzle, Standard 25 Deg, 14Mm (.55")	30566-14	10.50	67	Screw	30220	1.50
36	Nozzle, Standard 25 Deg, 16Mm (.63")	30566-16	10.50	69	Grease Nipple	30233	1.50
36	Nozzle, Standard 25 Deg, 18Mm (.71")	30566-18	10.50	70	Grease Nipple	30231	1.50
36	Nozzle, Standard 25 Deg, 20Mm (.78")	30566-20	10.50	71	Grub Screw	30187	1.50
36	Nozzle, Standard 25 Deg, 22Mm (.86")	30566-22	10.50	76	Grease Nipple	30234	3.00

Gun Stands/Sprinklers

BIG RIVER GEAR DRIVE SPRINKLERS



Product	Description	Part Number	Weight	List Price
BIG RIVER P-250	Big River w/nozzle-Green	part 7-0305	30.0	810.00

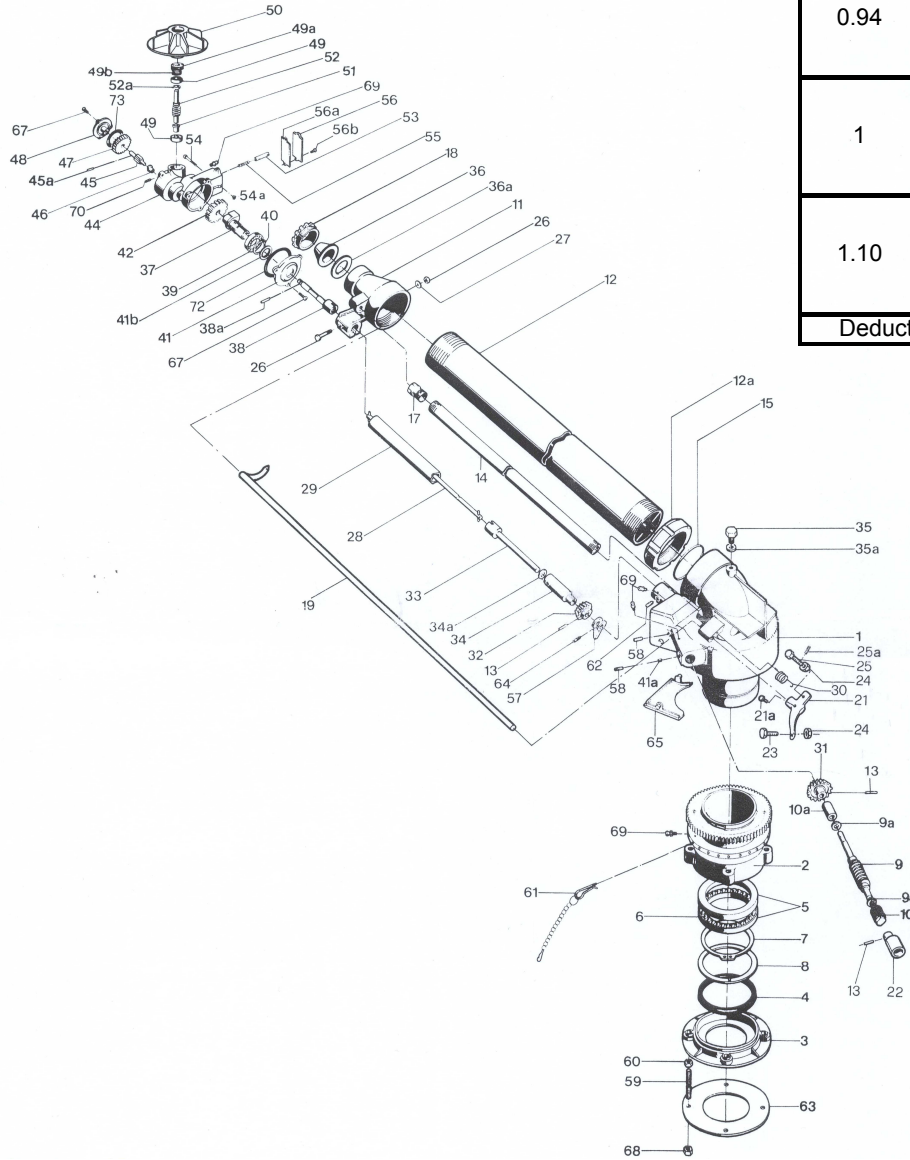
*Companion flange included.



72 & 116mm flange base (companion flange included.)
includes 5 flip nozzles for 22° & 28° angles
238' - 354' Diameter

Big River 250 28 Degree				
Nozzle Diamter		Pressure	Diameter	Discharge
Inch	MM	PSI	Feet	GPM
0.71	18	44	196	119
		56	214	139
		70	230	124
		85	250	170
0.78	20	44	238	137
		56	264	159
		70	282	178
		85	300	194
0.86	22	56	268	186
		66	282	197
		70	294	208
		85	314	228
0.94	24	56	282	217
		66	294	230
		70	308	243
		85	328	266
1	26	56	294	250
		70	314	280
		85	336	307
		100	346	330
1.10	28	56	302	286
		70	320	319
		85	340	350
		100	354	378

Deduct 2% for 25 deg and 5% for 22 deg nozzles.



ITEM #	DESCRIPTION	PART #	LIST PRICE	ITEM #	DESCRIPTION	PART #	LIST PRICE
	Big River						
1	Sprinkler Body	30070	\$ 328.50	36	Nozzle, Standard 25 Deg, 30Mm (1.2")	30063-30	\$ 10.50
010a	Internal Bearing	10395	7.50	36a	Packing For Nozzle	30064	1.50
2	Crown	10077-S	165.00	36i	Nozzle, Flip 22/28 Deg, 18Mm (.71")	3010448-18	10.50
3	Body Support	10080-S	97.50	36i	Nozzle, Flip 22/28 Deg, 20Mm (.78")	3010448-20	10.50
4	U-Packing 90X76X8	30075	12.00	36i	Nozzle, Flip 22/28 Deg, 22Mm (.86")	3010448-22	10.50
5	Ball Bearing Ring	30076	27.00	36i	Nozzle, Flip 22/28 Deg, 24Mm (.94")	3010448-24	10.50
6	Sphere	30077	0.30	36i	Nozzle, Flip 22/28 Deg, 26Mm (1")	3010448-26	10.50
7	Fastener Ring D. 78	30078	7.50	36i	Nozzle, Flip 22/28 Deg, 28Mm (1.10")	3010448-28	10.50
8	U-Packing Ring	30079	7.50	37	Gearbox Support	10411	27.00
9	Endless Screw Body	30597	60.00	38	Gearbox Shaft	30106	15.00
9a	Washer	30080	1.50	38a	Elastic Pin	30196	1.50
10	Threaded Bearing	10394	12.00	39	Ball Bearing	30198	18.00
11	Pipe Head	30083	102.00	40	Du-Bearing For Gearbox	30677	6.00
12	Complete Principal Pipe	10376	220.50	41	Cover	30207	6.00
12	Principal Pipe	20022	90.00	41a	Plug	30108	1.50
12a	Ferrule For Pipe	30084	39.00	42	Gearbox Gear	30109	12.00
13	Elastic Pin	30208	1.50	43	Grub Screw	30110	1.50
14	Secondary Pipe	20094	24.00	44	Complete Gearbox	10061	273.00
15	O-Ring For Pipe	30085	3.00	44	Gearbox	30169	34.50
16	Elastic Pin	30086	0.30	45	Complete Pinion	10365-S	30.00
17	Secondary Nozzle	30125	6.00	45	Pinion	30192	9.00
18	Nozzle Lock Ring	30056	13.50	45a	Pin For Pinion	30193	1.50
19	Jet Breaker Bar	10090-S	55.50	46	Pinion Bearing	30182	3.00
20	Stream Breaker Bearing	30181	4.50	47	Toothed Wheel	30191	18.00
21	Stream Breaker Lever	10056	58.50	48	Cover With Bearing	10378	10.50
21a	Screw	30091	1.50	49	Bearing House	10293	22.50
22	Camme	30092	10.50	49a	Du-Bearing	30189	6.00
23	Screw For Lever	30093	6.00	50	Propeller	30112	22.50
24	Nut For Lever	30094	2.25	51	Blind Bearing	30190	9.00
25	Lever Upper Screw	30095	6.00	52	Endless Screw	30628	30.00
25a	Elastic Pin	30096	0.30	53	Spring House	30201	4.50
26	Screw	30229	1.50	54	Screw	30199	1.50
26a	Nut	30232	1.50	54a	Nut	30200	1.50
27	Washer	30230	1.50	55	Inversion Spring	30113	1.50
28	Shafting Bar	20024	12.00	56	Cover	30204	3.00
29	Shafting Bar Cover	20025-S	12.00	57	Inversion Lever	30184	7.50
30	Spring For Lever	30059	4.50	58	Grub Screw	30114	1.50
31	Lateral Bevel Pinion	30098	28.50	59	Stud Bolt	30115	2.25
32	Central Bevel Pinion	30099	22.50	60	Nut M 10X6	30116	1.50
33	Shaft	10083-S	21.00	61	Inversion Cotter Pin	10087-S	9.00
34	Shaft Bearing	10401-S	16.50	62	Grub Screw	30118	1.50
34a	Washer	30223	1.50	63	Body Support Packing	30119	6.00
35	Plug	30102	6.00	64	Grub Screw	30219	1.50
35a	Washer	30103	1.50	65	Inversion Lever Cover	30120	6.00
36	Nozzle, Standard 25 Deg, 18Mm (.71")	30063-18	10.50	67	Screw	30220	1.50
36	Nozzle, Standard 25 Deg, 20Mm (.78")	30063-20	10.50	68	Nut M10X10	30121	1.50
36	Nozzle, Standard 25 Deg, 22Mm (.86")	30063-22	10.50	69	Grease Nipple	30233	1.50
36	Nozzle, Standard 25 Deg, 24Mm (.94")	30063-24	10.50	70	Grease Nipple	30231	1.50
36	Nozzle, Standard 25 Deg, 26Mm (1")	30063-26	10.50	71	Grub Screw	30187	1.50
36	Nozzle, Standard 25 Deg, 28Mm (1.10")	30063-28	10.50	76	Grease Nipple	30233	1.50

MARINER GEAR DRIVE SPRINKLERS



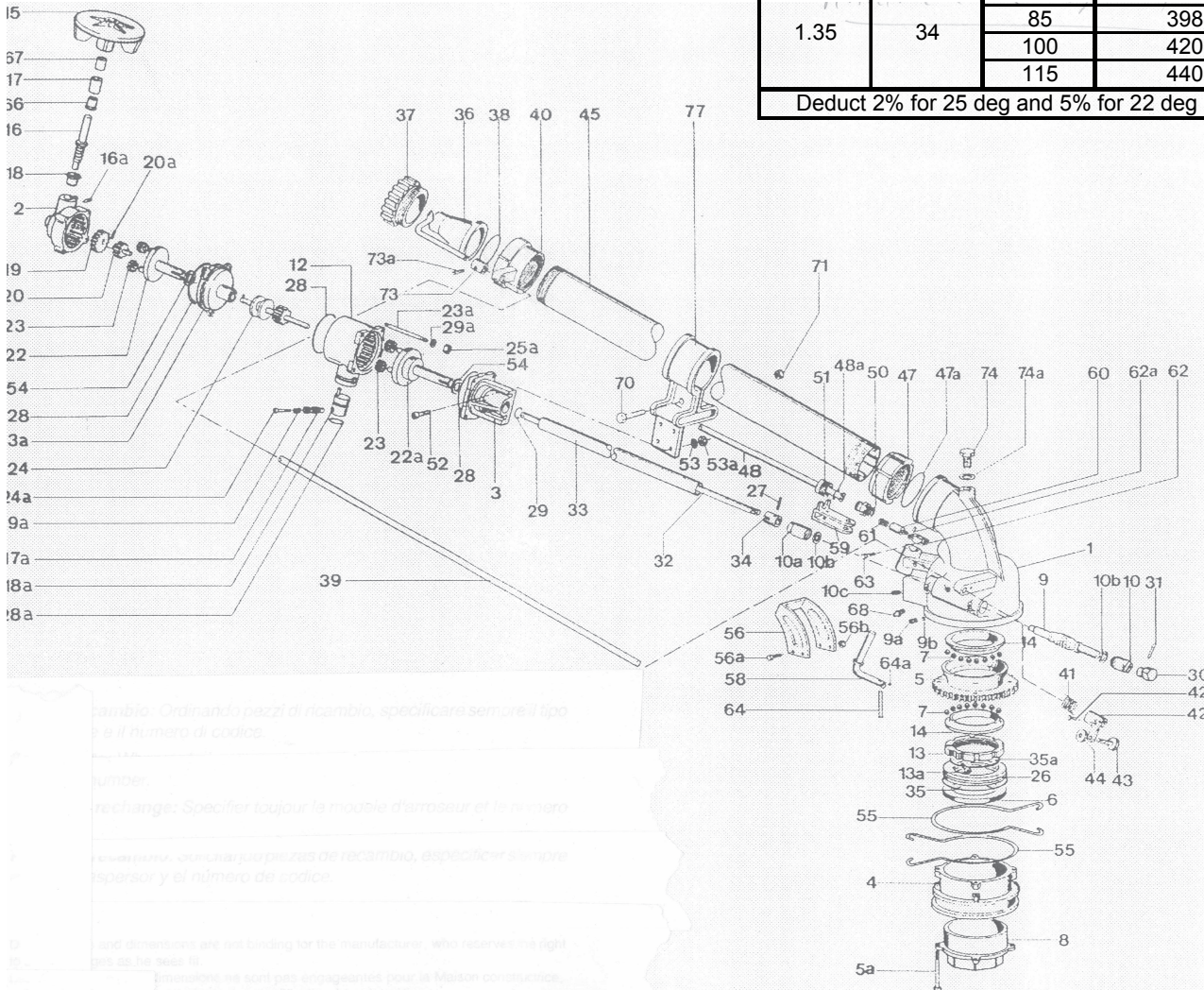
Product	Description	Part Number	Weight	List Price
MARINER (P-401)	Mariner w/nozzle-Green high speed part	7-0306	40.0	895.00



w/2 1/2" FTP base
 includes 5 flip nozzles for 22° & 28° angles
 274' - 440' Diameter

Mariner 401 28 Degree				
Nozzle Diameter		Pressure	Diameter	Discharge
Inch	MM	PSI	Feet	GPM
1	26	44	274	173
		56	308	211
		70	336	244
		85	354	273
1.10	28	44	294	242
		56	320	280
		70	340	313
		85	362	343
1.20	30	56	328	319
		70	354	356
		85	374	390
		100	398	421
1.25	32	56	340	359
		70	368	402
		85	384	440
		100	404	475
1.35	34	70	374	451
		85	398	494
		100	420	533
		115	440	571

Deduct 2% for 25 deg and 5% for 22 deg nozzles.



Italian: Cambio: Ordinando pezzi di ricambio, specificare sempre il tipo e il numero di codice.
French: rechange: Spécifier toujours le modèle d'arrosoir et le numéro.
Spanish: cambio: Ordenando piezas de recambio, especificar siempre el tipo y el número de código.
 All dimensions are not binding for the manufacturer, who reserves the right to change without notice.
 Dimensions ne sont pas engageantes pour le fabricant constructeur.

ITEM #	DESCRIPTION	PART #	LIST PRICE	ITEM #	DESCRIPTION	PART #	LIST PRICE
	Mariner						
1	Sprinkler Body	10403-S	\$ 375.00	36	Nozzle, Standard 25 Deg, 34Mm (1.35")	30063-34	\$ 21.00
2	Complete Gearbox	10282	375.00	36i	Nozzle, Flip 22/28 Deg 26Mm (1")	3010448-26	10.50
2	Gearbox	30737	34.50	36i	Nozzle, Flip 22/28 Deg 28Mm (1.10")	3010448-28	10.50
3	Gearbox Cover	301041	16.50	36i	Nozzle, Flip 22/28 Deg 30Mm (1.2")	3010448-30	10.50
3a	Cover	301042	22.50	36i	Nozzle, Flip 22/28 Deg, 32Mm (1.25")	3010448-32	10.50
4	Body Support	30862	88.50	36i	Nozzle, Flip 22/28 Deg, 34Mm (1.35")	3010448-34	10.50
5	Crown	30863	87.00	37	Nozzle Lock Ring	30056	13.50
5a	Screw	30945	1.50	38	Packing For Nozzle O-Ring 3218	30064	1.50
5b	Ring Body Support	3010385	45.00	39	Jet-Breaker	10189-S	52.50
5c	Ring	3010363	69.00	40	Pipe-Head	30874	49.50
6	U-Packing Crown	30864	12.00	41	Jet Breaker Spring	30875	4.50
7	Sphere	30048	0.30	42	Jet-Breaker Lever	10190	46.50
8	Threaded Body Support	30865	82.50	42a	Screw 6X10	30091	1.50
9	Endless Screw	30866	60.00	43	Screw For Lever	30093	6.00
9a	Grub Screw	30160	1.50	44	Nut For Lever	30094	2.25
9b	Plug	30108	1.50	45	Principal Pipe	20127	84.00
10	Threaded Bearing	10394	12.00	46	Screw	30767	1.50
010a	Internal Bearing	10404-S	7.50	47	Locking Ring For Pipe	30877	33.00
10b	Washer	30080	1.50	47a	O-Ring 3225	30949	3.00
10c	Grub Screw	30114	1.50	48	Secondary Pipe	20112	18.00
11	Pinion Bearing	30748	3.00	48a	O-Ring 17,6X10X3,8	30734	1.50
12	Gearbox Central Body	301050	66.00	50	Secondary Nozzle	30878	18.00
13	Threaded Ring For Crown	30868	34.50	51	Ferrule	30771	10.50
13a	Screw	301014	1.50	52	Screw 6X25	30500	1.50
14	Ball Bearing Ring	30869	37.50	53	Washer Grower D. 6	30557	1.50
15	Propeller	301054	24.00	53a	Nut 6X5	30511	1.50
16	Endless Screw	30831	30.00	54	Washer	30773	1.50
16a	Grub Screw	30187	1.50	55	Inversion Ring	30879	19.50
17	Bearings House	10293	22.50	56	Cover For Lever	30968	12.00
17a	Lever	301055	10.50	56a	Screw 4X30	30973	1.50
18	Blind Bearing	30190	9.00	56b	Nut 4Ma	30839	1.50
018a	Bush	10294	28.50	58	Central Shaft	10188	24.00
19	Crown	30833	18.00	59	Inversion Fork	10366	33.00
19a	Spring	30817	1.50	59a	Pin For Fork	30778	1.50
20	High Speed Pinion	30836	16.50	60	Spring House	30779	7.50
20a	Pin For Pinion	30193	1.50	61	Inversion Spring	301093	3.00
22	Planetary	10285	25.50	62	Vice For Inversion Lever	10295	30.00
022a	Second Planetary	10286	91.50	62a	Pin For Vice	30782	1.50
23	High Speed Gear	30835	3.00	63	Screw 5X16	30783	1.50
23a	Stud Bolt	301060	4.50	64a	Spring For Bolt	30785	1.50
24	Pinion	10287-S	43.50	65	Inversion Lever Bearing	30880	3.00
24a	Screw 6X30	30965	3.00	66	Du-Bearing For Gearbox	30677	6.00
25a	Nut	30270	1.50	67	Du-Bearing	30189	6.00
26	O-Ring	30870	18.00	68	Grease Nipple	30233	1.50
28	O-Ring 2237	30613	1.50	70	Screw 8X25	30426	1.50
28a	O-Ring 123	301064	1.50	71	Nut 8X6	30475	1.50
29	O-Ring 121	30678	1.50	72	Grub Screw	30724	1.50
29a	Washer Inox	30532	1.50	73a	Elastic Pin	30086	0.30
30	Cam	30695	1.50	74	Plug	30102	6.00
31	Elastic Pin	30208	1.50	74a	Washer	30103	1.50
32	Shafting Bar	20142	7.50	76	Fastener Ring	30049	10.50
33	Shafting Bar Cover	20145	7.50	77	Gearbox Support	301091	57.00
35	O-Ring 3300	30946	3.00	78	Spring	3010358	1.50
35a	O-Ring 3262	30947	3.00	78a	Spacer	3010359	3.00
36	Nozzle, Standard 25 Deg, 26Mm (1")	30063-26	10.50	79	Shafting Bar	3010360	4.50
36	Nozzle, Standard 25 Deg, 28Mm (1.10")	30063-28	10.50	79a	Washer	3010361	1.50
36	Nozzle, Standard 25 Deg, 30Mm (1.2")	30063-30	13.50	79b	Prisoner	3010362	6.00
36	Nozzle, Standard 25 Deg, 32Mm (1.25")	30063-32	18.00				

Gun Stands/Sprinklers

POLARIS GEAR DRIVE SPRINKLERS



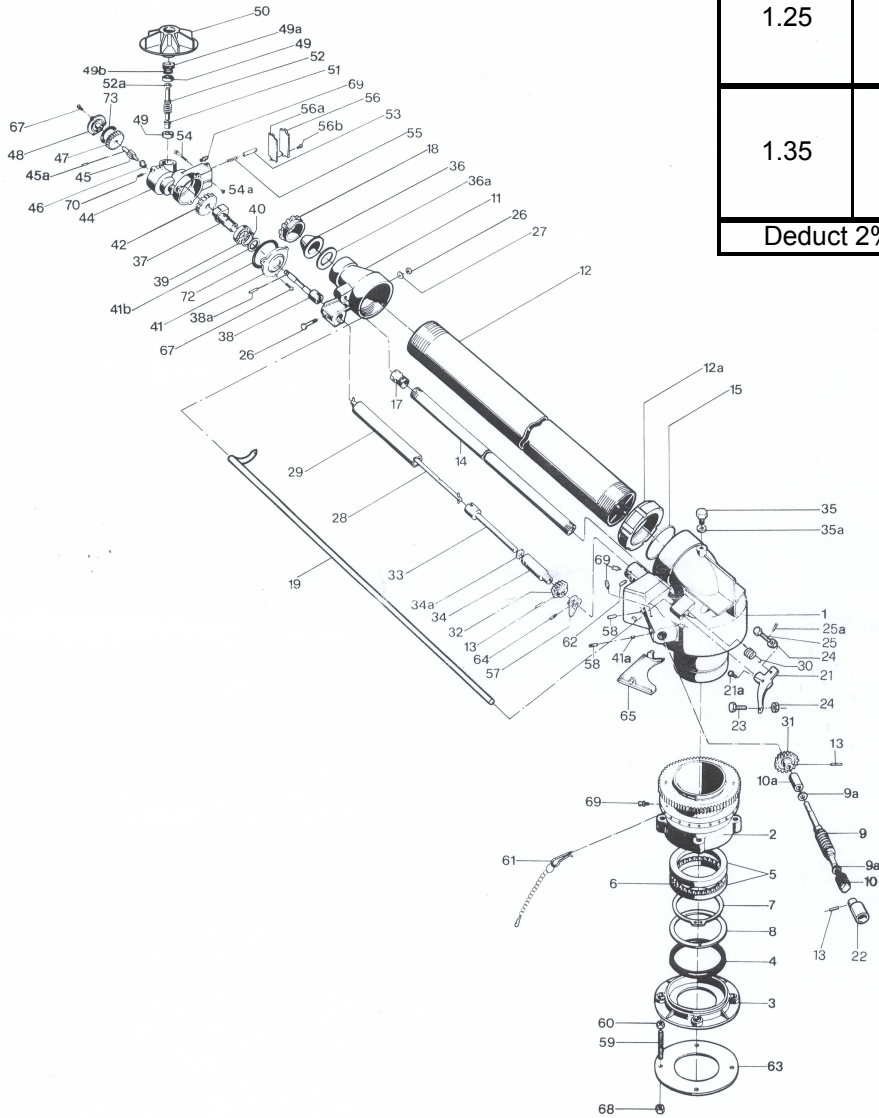
Product	Description	Part Number	Weight	List Price
POLARIS (P-200)	Polaris	part 7-0326		945.00



90 & 150mm flange connection (companion flange included)
 includes 5 flip nozzles for 22° & 28° angles
 302' - 418' Diameter

Polaris 200 28 Degree				
Nozzle Diameter		Pressure	Diameter	Discharge
Inch	MM	PSI	Feet	GPM
1	26	56	302	263
		70	320	295
		85	340	323
		100	362	348
1.10	28	56	314	300
		70	328	324
		85	354	366
		100	380	395
1.20	30	56	320	338
		70	340	378
		85	368	414
		100	384	446
1.25	32	70	362	423
		85	380	464
		100	394	500
		115	404	536
1.35	34	70	374	472
		85	394	517
		100	404	558
		115	418	598

Deduct 2% for 25 deg and 5% for 22 deg nozzles.



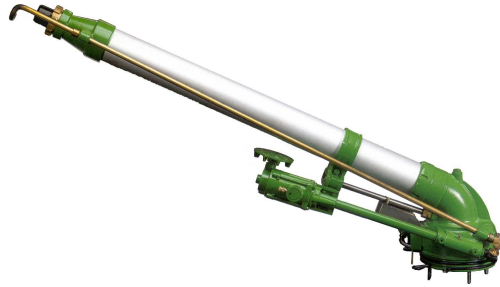
ITEM #	DESCRIPTION	PART #	LIST PRICE	ITEM #	DESCRIPTION	PART #	LIST PRICE
	Polaris						
1	Sprinkler Body	30070	\$ 420.00	36	Nozzle, Standard 25 Deg, 34Mm (1.35")	30063-34	\$ 10.50
2	Crown	10076	190.50	36a	Packing For Nozzle	30064	1.50
3	Body Support	10079	115.50	36i	Nozzle, Flip 22/28 Deg 26Mm (1")	3010448-26	10.50
4	U-Packing 117X98X11	30046	13.50	36i	Nozzle, Flip 22/28 Deg 28Mm (1.10")	3010448-28	10.50
5	Ball Bearing Ring	30047	33.00	36i	Nozzle, Flip 22/28 Deg 30Mm (1.2")	3010448-30	10.50
6	Sphere	30048	0.30	36i	Nozzle, Flip 22/28 Deg, 32Mm (1.25")	3010448-32	10.50
7	Fastener Ring	30049	10.50	36i	Nozzle, Flip 22/28 Deg, 34Mm (1.35")	3010448-34	10.50
8	U-Packing Ring	30050	7.50	37	Gearbox Support	10411	27.00
9	Endless Screw Body	30596	67.50	38	Gearbox Shaft	30106	15.00
9a	Washer	30080	1.50	38a	Elastic Pin	30196	1.50
10	Threaded Bearing	10394	12.00	39	Ball Bearing	30198	18.00
010a	Internal Bearing	10396	10.50	40	Du-Bearing For Gearbox	30677	6.00
11	Pipe Head	30052	120.00	41	Cover	30207	6.00
12	Complete Principal Pipe	10375-S	247.50	41a	Plug	30108	1.50
12	Principal Pipe	20013	112.50	42	Gearbox Gear	30109	12.00
12a	Threaded Ring For Pipe	30053	51.00	43	Grub Screw	30160	1.50
13	Elastic Pin	30208	1.50	44	Complete Gearbox	10060	273.00
14	Secondary Pipe	20014	30.00	44	Gearbox	30169	34.50
15	O-Ring For Pipe	30054	6.00	45	Complete Pinion	10365-S	30.00
16	Elastic Pin	30208	1.50	45	Pinion	30192	9.00
17	Secondary Nozzle	30125	6.00	45a	Pin For Pinion	30193	1.50
18	Nozzle Lock Ring	30056	13.50	46	Pinion Bearing	30182	3.00
19	Jet Breaker Bar	10089-S	73.50	47	Toothed Wheel	30191	18.00
20	Stream Breaker Bearing	30057	4.50	48	Cover With Bearing	10378	10.50
21	Stream Breaker Lever	10058	58.50	49	Bearing House	10293	22.50
21a	Screw	30091	1.50	49a	Du-Bearing	30189	6.00
22	Camme	30092	10.50	50	Propeller	30112	22.50
23	Screw For Lever	30093	6.00	51	Blind Bearing	30190	9.00
24	Nut For Lever	30094	2.25	52	Endless Screw	30628	30.00
25	Lever Upper Screw	30095	6.00	53	Spring House	30201	4.50
25a	Elastic Pin	30096	0.30	54	Screw	30199	1.50
26	Screw	30229	1.50	54a	Nut	30200	1.50
26a	Nut	30232	1.50	55	Inversion Spring	30066	1.50
27	Washer	30230	1.50	56	Cover	30204	3.00
28	Shafting Bar	20016	13.50	57	Inversion Lever	30184	7.50
29	Shafting Bar Cover	20017	13.50	58	Grub Screw	30118	1.50
30	Spring For Lever	30059	4.50	59	Stud Bolt	30115	2.25
31	Lateral Bevel Pinion	30060	34.50	60	Nut M 10X6	30116	1.50
32	Central Bevel Pinion	30061	25.50	61	Inversion Cotter Pin	10087-S	9.00
33	Shaft	10082	24.00	62	Grub Screw	30118	1.50
34	Shaft Bearing	10399	18.00	63	Body Support Packing	30068	9.00
34a	Washer	30223	1.50	64	Grub Screw	30219	1.50
35	Plug	30102	6.00	65	Inversion Lever Cover	30069	6.00
35a	Washer	30103	1.50	67	Screw	30220	1.50
36	Nozzle, Standard 25 Deg, 26Mm (1")	30063-26	10.50	68	Nut M10X10	30121	1.50
36	Nozzle, Standard 25 Deg, 28Mm (1.10")	30063-28	10.50	69	Grease Nipple	30233	1.50
36	Nozzle, Standard 25 Deg, 30Mm (1.2")	30063-30	10.50	70	Grease Nipple	30231	1.50
36	Nozzle, Standard 25 Deg, 32Mm (1.25")	30063-32	10.50	71	Grub Screw	30187	1.50

Gun Stands/Sprinklers

GEMINI GEAR DRIVE SPRINKLERS



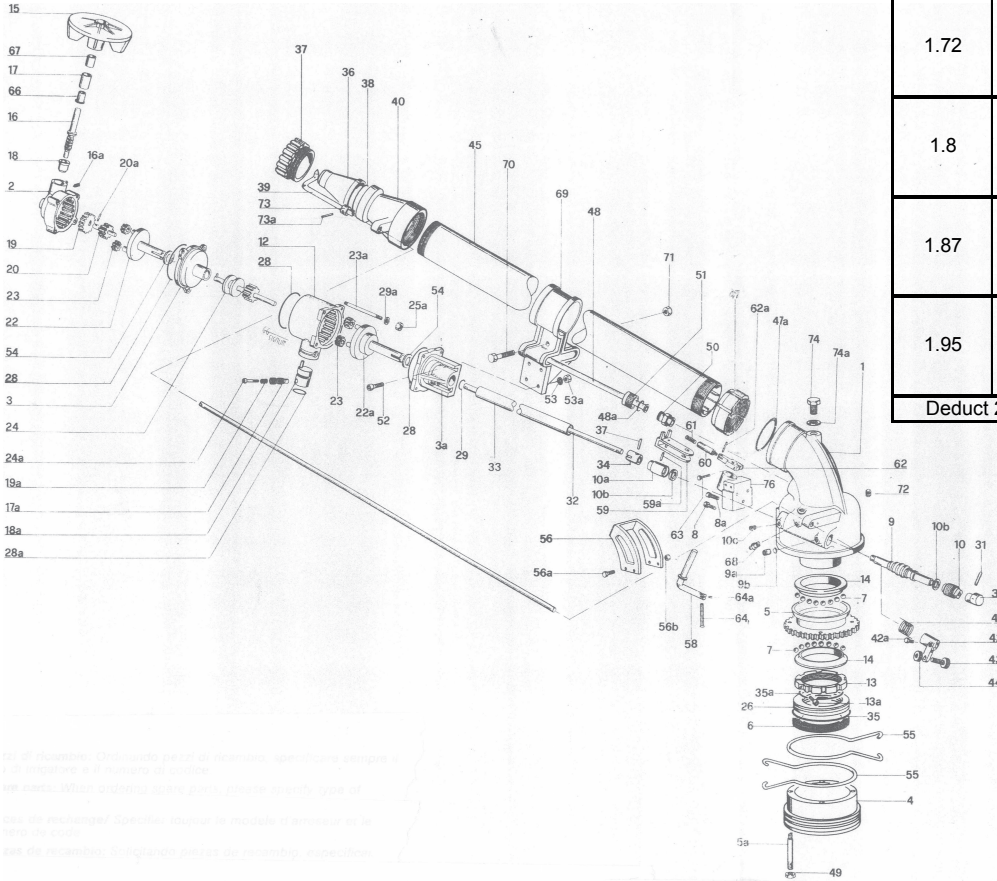
Product	Description	Part Number	Weight	List Price
GEMINI (P-600 / P-1200)	Gemini (2 speed high or low switch) part	7-0307		1075.00



100 x 142mm flange connection (companion flange included)
 includes 5 flip nozzles for 22° & 28° angles
 368' - 510' Diameter

Gemini 1200 28 Degree				
Nozzle Diameter		Pressure	Diameter	Discharge
Inch	MM	PSI	Feet	GPM
1.20	30	56	328	319
		70	354	356
		85	374	390
		100	398	421
1.25	32	70	368	424
		85	384	464
		100	404	500
		115	426	536
1.35	34	70	380	472
		85	398	518
		100	420	558
		115	440	598
1.42	36	70	398	525
		85	420	574
		100	440	620
		115	458	664
1.50	38	85	434	635
		100	458	685
		115	472	733
		128	492	777
1.57	40	85	446	698
		100	472	753
		115	488	806
		128	510	855
1.65	42	88	460	717
		95	480	761
		100	500	783
		110	524	809
1.72	44	88	470	700
		95	480	730
		100	490	750
		110	500	810
1.8	46	88	474	825
		95	484	855
		100	494	875
		110	504	905
1.87	48	88	480	910
		95	490	940
		100	500	960
		110	510	995
1.95	50	88	500	925
		95	520	955
		100	540	1075
		110	570	1110

Deduct 2% for 25 deg and 5% for 22 deg nozzles.



12" 1/2" Schumacher 1200 series part of Gemini gear drive sprinkler
 1" 1/2" diameter x 11" length of nozzle
 1/2" dia. 11" long nozzle with 22° angle
 1/2" dia. 11" long nozzle with 28° angle
 1/2" dia. 11" long nozzle with 36° angle
 1/2" dia. 11" long nozzle with 45° angle
 1/2" dia. 11" long nozzle with 54° angle

GEMINI GEAR DRIVE SPRINKLERS

ITEM #	DESCRIPTION	PART #	LIST PRICE	ITEM #	DESCRIPTION	PART #	LIST PRICE
	Gemini						
1	Sprinkler Body	301040	\$ 525.00	36i	Nozzle, Flip 22/28 Deg, 30Mm (1.2")	3010448-30	\$ 10.50
2	Complete Gearbox	10282	375.00	36i	Nozzle, Flip 22/28 Deg, 32Mm (1.25")	3010448-32	10.50
2	Gearbox	30737	34.50	36i	Nozzle, Flip 22/28 Deg, 34Mm (1.35")	3010448-34	10.50
3	Gearbox Cover	301041	16.50	36i	Nozzle, Flip 22/28 Deg, 36Mm (1.42")	3010448-36	10.50
3a	Cover	301042	22.50	36i	Nozzle, Flip 22/28 Deg, 38Mm (1.50")	3010448-38	10.50
4	Body Support	10390	184.50	36i	Nozzle, Flip 22/28 Deg, 40Mm (1.57")	3010448-40	10.50
5	Crown	301045	258.00	36i	Nozzle, Flip 22/28 Deg, 42Mm (1.65")	3010448-42	10.50
5a	Stud Bolt	301046	4.50	36i	Nozzle, Flip 22/28 Deg, 44Mm (1.72")	3010448-44	10.50
5b	Ring Body Support	3010365	55.50	36i	Nozzle, Flip 22/28 Deg, 46Mm (1.80")	3010448-46	10.50
5c	Ring	3010365	75.00	36i	Nozzle, Flip 22/28 Deg, 48Mm (1.87")	3010448-48	10.50
6	U-Packing Crown	301047	15.00	36i	Nozzle, Flip 22/28 Deg, 50Mm (1.95")	3010448-50	10.50
7	Sphere	30048	0.30	37	Nozzle Lock Ring	30056	13.50
8	Screw 6X15 T.E.	301083	1.50	38	Packing For Nozzle O-Ring 3218	30064	1.50
8a	Screw 6X15 T.C.E.I.	301084	1.50	39	Jet-Breaker	10288-S	75.00
9	Endless Screw	301048	78.00	40	Pipe-Head	301068	72.00
9a	Grub Screw	30160	1.50	41	Jet Breaker Spring Lever	3010444	4.50
9b	Plug	30108	1.50	42	Jet-Breaker Lever	10190	46.50
10	Threaded Bearing	10394	12.00	42a	Screw 6X10	30091	1.50
010a	Internal Bearing	10404-S	7.50	43	Screw For Lever	30093	6.00
10b	Washer	30080	1.50	44	Nut For Lever	30094	2.25
10c	Grub Screw	30118	1.50	45	Principal Pipe	20145	105.00
11	Pinion Bearing	30748	3.00	47	Locking Ring For Pipe	30053	51.00
12	Gearbox Central Body	301050	66.00	47a	O-Ring	30054	6.00
13	Threaded Ring For Crown	301052	63.00	48	Secondary Pipe	20159	27.00
13a	Screw	301014	1.50	48a	O-Ring	301069	1.50
14	Ball Bearing Ring	301053	79.50	49	Nut 10X6	30116	1.50
15	Propeller	301054	24.00	50	Secondary Nozzle	301070	19.50
16	Endless Screw	30831	30.00	51	Ferrule	301071	12.00
16a	Grub Screw	30187	1.50	52	Screw 6X25	30500	1.50
17	Bearings House	10293	22.50	53	Washer Grower D. 6	30557	1.50
17a	Lever	301055	10.50	53a	Nut 6X5	30511	1.50
18	Blind Bearing	30190	9.00	54	Washer	30773	1.50
018a	Bush	10294	28.50	55	Inversion Ring	301072	27.00
19	Crown	30833	18.00	58	Central Shaft	10289	27.00
19a	Spring	30817	1.50	59	Inversion Fork	10290	36.00
20	High Speed Pinion	30836	16.50	59a	Pin For Fork	301077	1.50
20a	Pin For Pinion	30193	1.50	60	Spring House	301078	10.50
21a	Pin	301058	1.50	61	Inversion Spring	301079	4.50
22	Planetary	10285	25.50	62	Vice For Inversion Lever	10291	40.50
022a	Second Planetary	10286	91.50	62a	Pin For Vice	30782	1.50
23	High Speed Gear	30835	3.00	63	Screw 5X16	30783	1.50
23a	Stud Bolt	301060	4.50	64	Screw	3010181	4.50
24	Pinion	10287-S	43.50	64a	Spring For Bolt	30785	1.50
24a	Screw 6X30	30965	3.00	66	Du-Bearing For Gearbox	30677	6.00
25a	Nut	30270	1.50	67	Du-Bearing	30189	6.00
26	O-Ring	301063	39.00	68	Grease Nipple	30233	1.50
28	O-Ring 2237	30613	1.50	69	Gerbox Support	3010181	67.50
28a	O-Ring 123	301064	1.50	70	Screw	30521	1.50
29	O-Ring 121	30678	1.50	71	Nut 8X6	30475	1.50
29a	Washer Inox	30532	1.50	72	Grub Screw	30724	1.50
30	Cam	30695	1.50	73	Stream Breaker Bearing	30057	4.50
31	Elastic Pin	30208	1.50	73a	Elastic Pin	30208	1.50
32	Shafting Bar	20161	7.50	74	Plug	30102	6.00
33	Shafting Bar Cover	20156	7.50	74a	Washer	30103	1.50
35	O-Ring	301066	3.00	75	Nut	30121	1.50
35a	O-Ring	301067	3.00	76	Levers Support	10292	66.00
36	Nozzle, Standard 25 Deg, 30Mm (1.2")	30063-30	10.50	77	Seeger	3010367	13.50
36	Nozzle, Standard 25 Deg, 32Mm (1.25")	30063-32	10.50	78	Spring	301016	1.50
36	Nozzle, Standard 25 Deg, 34Mm (1.35")	30063-34	10.50	79	Spacer	3010368	3.00
36	Nozzle, Standard 25 Deg, 36Mm (1.42")	30063-36	10.50	80	Shafting Bar	3010369	4.50
36	Nozzle, Standard 25 Deg, 38Mm (1.50")	30063-38	10.50	81	Washer	3010370	1.50
36	Nozzle, Standard 25 Deg, 40Mm (1.57")	30063-40	10.50	82	Prisoner	3010371	6.00
36	Nozzle, Standard 25 Deg, 42Mm (1.65")	30063-42	10.50	83	Flange	3010374	262.50
36	Nozzle, Standard 25 Deg, 44Mm (1.72")	30063-44	10.50	84	Gasket	3010372	4.50
36	Nozzle, Standard 25 Deg, 46Mm (1.80")	30063-46	10.50	85	Gasket	3010373	7.50
36	Nozzle, Standard 25 Deg, 48Mm (1.87")	30063-48	10.50	86	Nut	30270	1.50
36	Nozzle, Standard 25 Deg, 50Mm (1.95")	30063-50	10.50	87	Screw 10X35	3010375	1.50

Gun Stands/Sprinklers



Product	Description	Part Number	Weight	List Price
---------	-------------	-------------	--------	------------

**Keep us in mind
on hard to find
irrigation parts,
and custom built
irrigation fittings.**