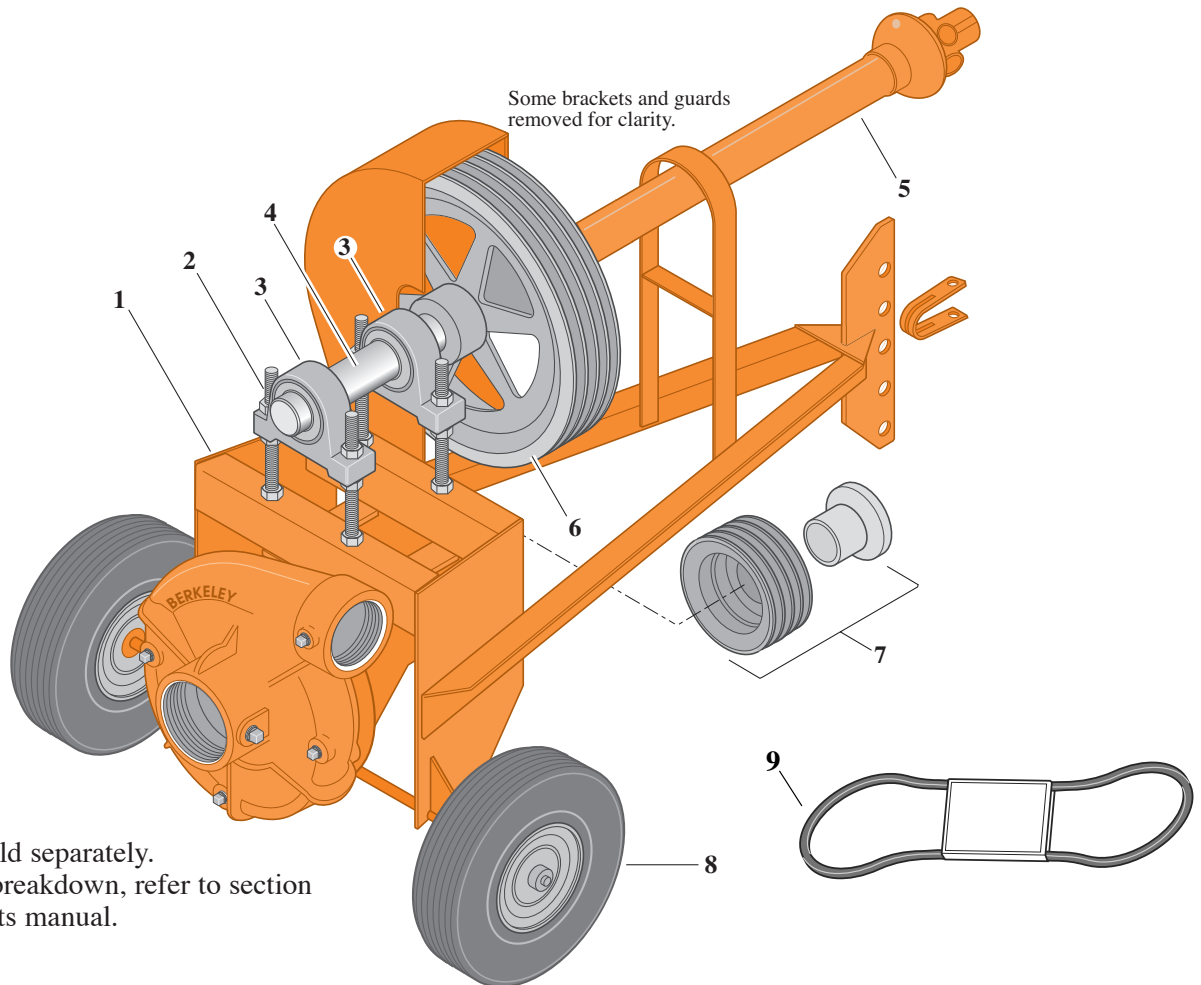




# Tracto-Rain Pumps

Section	PTO
Page	10.1
Date	January 1, 2004
Supersedes 10/1/96	

## T-1 Trailer



**NOTE:** Pump sold separately.  
For Pump Parts breakdown, refer to section *FM* of repair parts manual.

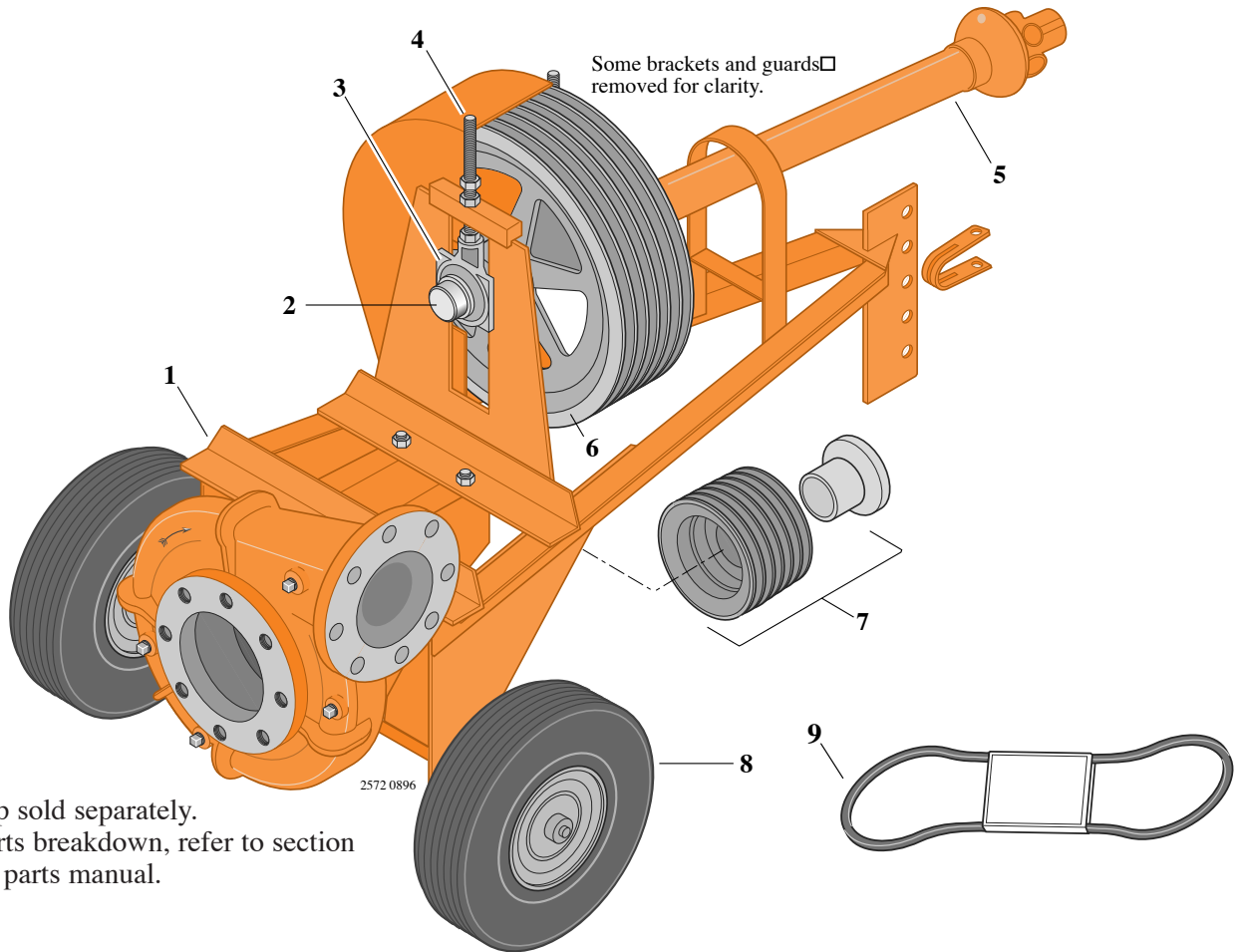
Item No.	Part Description	Part Number	
		540 RPM	1000 RPM
1	Trailer Frame with Axle, Hitch, and Belt Guard	L01291	L01291
2	Rod, Pillow Block Adjustment	S13923	S13923
3	Pillow Block Bearing Assembly	S13911	S13911
3	Pillow Block Bearing (Replacement Bearing Only)	S21989	S21989
4	Counter Shaft, 1.750 Dia. x 16"	S06500	S17284
5	Universal Joint Assembly	S13912	S16542
6	Pulley, Drive, 4 Belt, 1-3/4" U, 18.30 O.D.	L03546	-
6	Pulley, Drive, 4 Belt, 1-3/4" U, 11.00 O.D.	-	S13777
7	Pulley, Pump, Size 3.8, 4 Belt, 1-1/8" I.D. Bushing	S22385	-
7	Pulley, Pump, Size 4.2, 4 Belt, 1-1/8" I.D. Bushing	S22386	S22386
7	Pulley, Pump, Size 4.6, 4 Belt, 1-1/8" I.D. Bushing	S22387	S22387
7	Pulley, Pump, Size 5.0, 4 Belt, 1-1/8" I.D. Bushing	S22388	S22388
7	Pulley, Pump, Size 5.4, 4 Belt, 1-1/8" I.D. Bushing	S22389	S22389
7	Pulley, Pump, Size 6.0, 4 Belt, 1-1/8" I.D. Bushing	S22390	S22390
8	Wheel Assembly with Tire and Tube	S13913	S13913
9	Belts, Matched Set of 4, 51" Long	-	S13775
9	Belts, Matched Set of 4, 66" Long	S13776	-



# Tracto-Rain Pumps

Section	PTO
Page	20.1
Date	January 1, 2004
Supersedes 10/1/96	

## T-2 Trailer



**NOTE:** Pump sold separately.  
For Pump Parts breakdown, refer to section *FM* of repair parts manual.

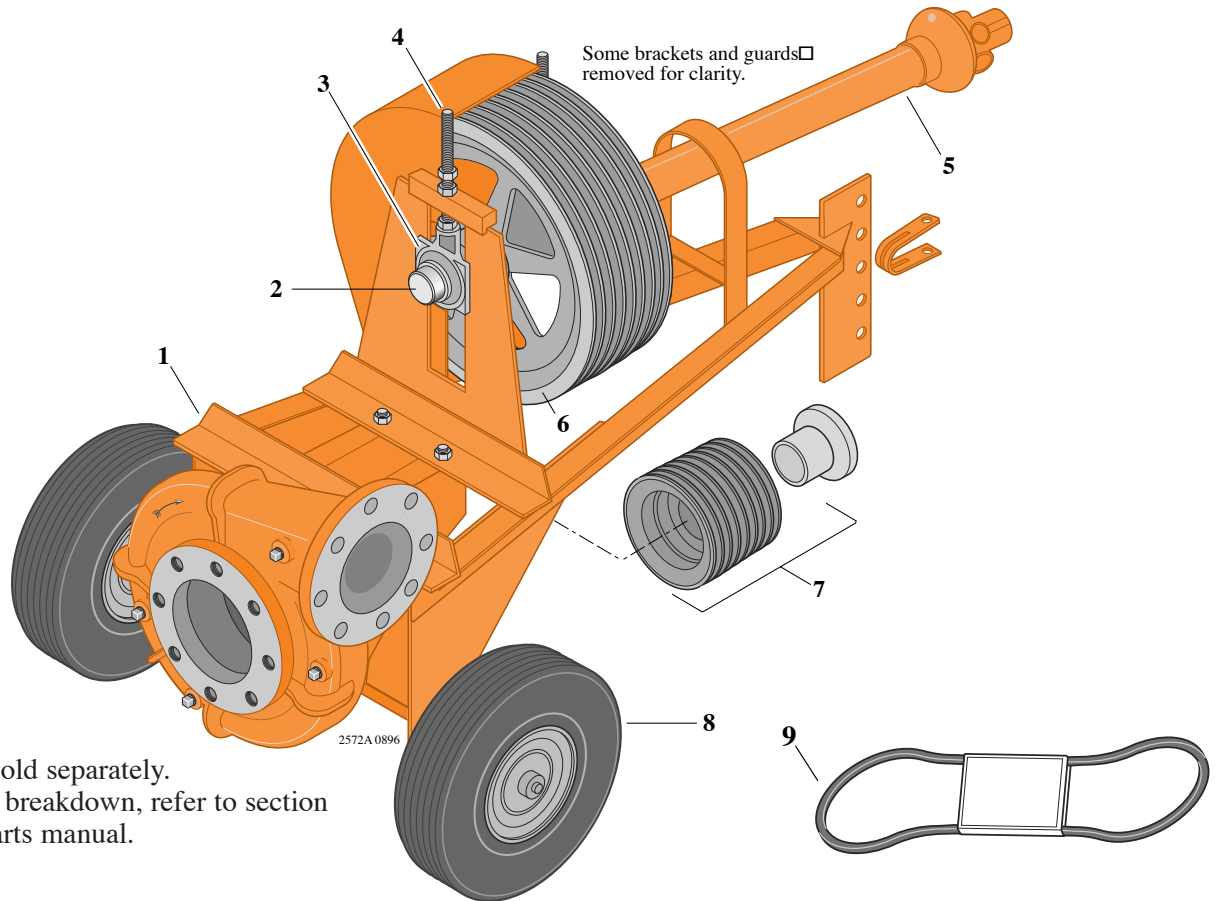
Item No.	Part Description	Part Number	
		540 RPM	1000 RPM
1	Trailer Frame with Axle, Hitch, and Belt Guard	H03273	H03273
2	Counter Shaft, 1.750" Dia. x 15"	S14320	S14320
3	Take-up Bearing Assembly	S18837	S18837
•	Take-up Bearing (Replacement Bearing Only)	S21989	S21989
4	Rod, Bearing Adjustment	S09831	S09831
5	Universal Joint Assembly	S15658	S16543
6	Pulley, Drive, 6 Belt, 1-3/4" U, 18.30 O.D.	M09412	-
6	Pulley, Drive, 6 Belt, 1-3/4" U, 11.00 O.D.	-	S28653
7	Pulley, Pump, Size 5.4, 6 Belt, 1-7/8" I.D. Bushing	S22391	S22391
7	Pulley, Pump, Size 5.6, 6 Belt, 1-7/8" I.D. Bushing	S22392	S22392
7	Pulley, Pump, Size 6.2, 6 Belt, 1-7/8" I.D. Bushing	S22393	S22393
7	Pulley, Pump, Size 6.8, 6 Belt, 1-7/8" I.D. Bushing	S22394	S22394
7	Pulley, Pump, Size 7.4, 6 Belt, 1-7/8" I.D. Bushing	S22395	S22395
7	Pulley, Pump, Size 8.6, 6 Belt, 1-7/8" I.D. Bushing	S22396	S22396
8	Wheel Assembly with Tire and Tube	S14005	S14005
9	Belts, Matched Set of 6, 55" Long	-	S13995
9	Belts, Matched Set of 6, 75" Long	S13956	S13956
9	Belts, Matched Set of 6, 78" Long	S18046	-



# Tracto-Rain Pumps

Section	PTO
Page	30.1
Date	January 1, 2004
Supersedes 10/1/96	

## T-2A Trailer



**NOTE:** Pump sold separately.  
For Pump Parts breakdown, refer to section *FM* of repair parts manual.

Item No.	Part Description	Part Number	
		540 RPM	1000 RPM
1	Trailer Frame with Axle, Hitch, and Belt Guard	H03273	H03273
2	Counter Shaft, 1.750" Dia. x 15"	S14320	S14320
3	Take-up Bearing Assembly	S18837	S18837
•	Take-up Bearing (Replacement Bearing Only)	S21989	S21989
4	Rod, Bearing Adjustment	S09831	S09831
5	Universal Joint Assembly	S15658	S16543
6	Pulley, Drive, 8 Belt, 1-3/4" U, 18.30 O.D.	L04329	—
6	Pulley, Drive, 8 Belt, 1-3/4" U, 11.00 O.D.	—	S28654
7	Pulley, Pump, Size 4.9, 8 Belt, 1-7/8" I.D. Bushing	M05715	—
7	Pulley, Pump, Size 5.1, 8 Belt, 1-7/8" I.D. Bushing	—	M05714
7	Pulley, Pump, Size 5.4, 8 Belt, 1-7/8" I.D. Bushing	S22397	S22397
7	Pulley, Pump, Size 5.6, 8 Belt, 1-7/8" I.D. Bushing	—	S22398
7	Pulley, Pump, Size 5.8, 8 Belt, 1-7/8" I.D. Bushing	S22399	—
7	Pulley, Pump, Size 6.0, 8 Belt, 1-7/8" I.D. Bushing	—	S22400
7	Pulley, Pump, Size 6.2, 8 Belt, 1-7/8" I.D. Bushing	S22401	—
7	Pulley, Pump, Size 6.4, 8 Belt, 1-7/8" I.D. Bushing	—	S22402
7	Pulley, Pump, Size 6.8, 8 Belt, 1-7/8" I.D. Bushing	S22403	S22403
7	Pulley, Pump, Size 7.4, 8 Belt, 1-7/8" I.D. Bushing	—	S22404
8	Wheel Assembly with Tire and Tube	S14005	S14005
9	Belts, Matched Set of 8, 55" Long	—	S15626
9	Belts, Matched Set of 8, 71" Long	S15854	S15854