

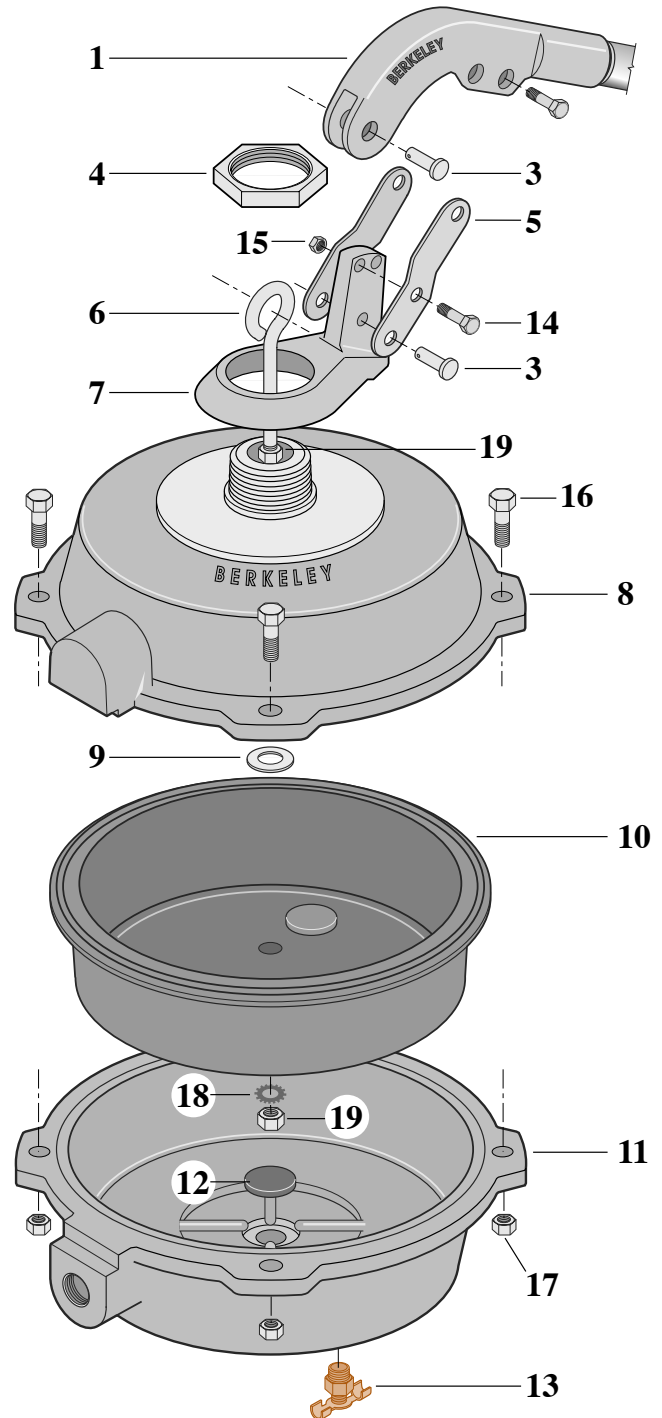


CENTRIFUGAL PUMP ACCESSORIES 9A Han-Dee Primer

Section	PA
Page	20.1
Date	January 1, 2004
Supersedes 10/1/96	

MODEL 9A
Catalog Number B07535

Item No.	Part Description	Part Number
1	Handle, Assembly	S19347
3	Pin, Clevis 3/8" (2 Req.)	S28333
•	Pin, Cotter (2 Req.)	S14923
4	Nut, Lock 1-1/2-RH	S19071
5	Link, Fulcrum (2 Req.)	S19074
6	Bolt, Eye	S19070
7	Bracket, Fulcrum	S19064
8	Housing, Top	L05270
•	Bracket, Mounting	M06660
9	Washer, Flat 3/8"	S23050
10	Diaphragm	M06653
11	Housing, Bottom	L05271
12	Disc, Check Valve	S19067
13	Drain Cock, 1/8" NPT	S23708
14	Capscrew, Hex 5/16-18x1-1/4" (2 Req.)	S24869
15	Nut, Hex 5/16-18 (2 Req.)	S26454
16	Capscrew, Hex 1/4-20x1" (4 Req.)	S24839
17	Nut, Hex 1/4-20 (4 Req.)	S26452
18	Washer, Lock	S23036
19	Nut, Hex 3/8-16 (2 Req.)	S26456

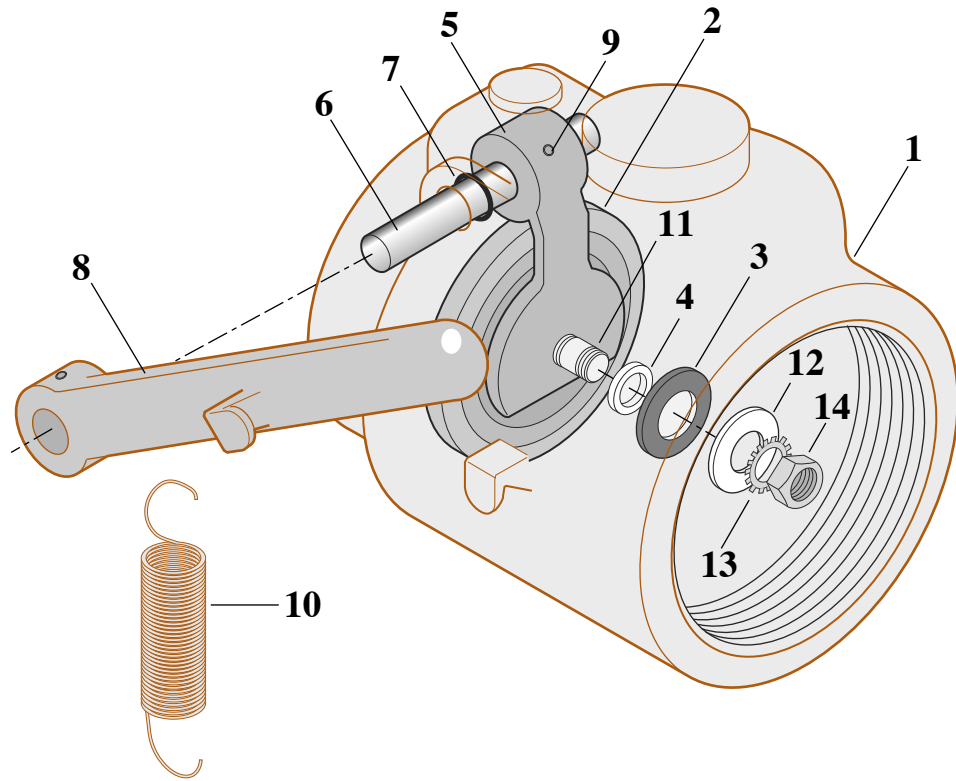




CENTRIFUGAL PUMP ACCESSORIES

Automatic Discharge Priming Valve

Section	PA
Page	30.1
Date	January 1, 2004
Supersedes 10/1/96	



Item No.	Part Description	Models			
		3 x 4 w/Lever B05923	4 x 4 w/Lever B05924	5 x 5 w/Lever B05925	6 x 6 w/Lever B05926
1	Body, Valve	L03671	L03665	H02203	H02200
2	Clack	S13414	S13404	S13403	S13393
3	Grommet	S13677	S13677	S13677	S13677
4	Spacer, Grommet	S13412	S13412	S13412	S13412
5	Clack Hinge,				
6	Shaft and Handle	B06142	B06143	B06144	B06145
8	Assembly				
7	O-Ring	S13755	S13755	S13755	S13755
9	Pin, Spring (2 Req.)	S13676	S13676	S13676	S13676
10	Spring	S13679	S14026	S14026	S14026
11	Stud	S16899	S16899	S16899	S16899
12	Washer, Flat	S23050	S23050	S23050	S23050
13	Washer, External Tooth	S23036	S23036	S23036	S23036
14	Nut, Hex	S23103	S23103	S23103	S23103