



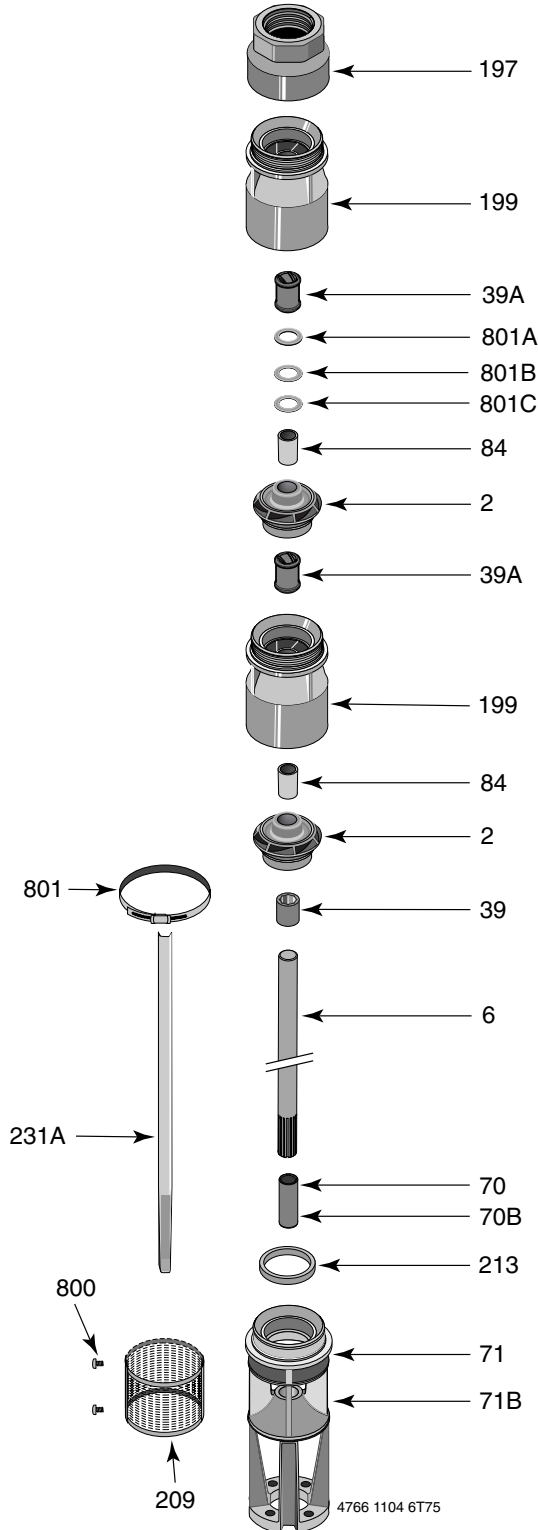
# Submersible Turbine Repair Parts

Section	ST
Page	10.1
Date	December 1, 2004
Supersedes NEW	

## 6T-75

### 4" & 6" Motors

### 6T-75 Common Parts Groups Repair Parts List



Item No.	Part Description	Part Number
39	Inlet Rubber Bearing	S13636
39A	Rubber Bearing	P23-67
70	Splined Coupling	387630500
70B	4" Motor Coupling	M11245
71	Inlet Bracket for 6" Motor	H05840
71B	Inlet Bracket for 4" Motor	H05818
84	Collet, Impeller	F5-11
197	Discharge Connector, 3" FPT	L08314
199	Top Bowl	M09656
209	Suction Screen	306773500
213	Adaptor Ring	M10996
800	Pan Head Tapping Screw #8-15 (2 Req.)	S29885
801	Cable Guard Clamp (2 Req.)	M08594
801A	Uphrust Spacer, 1/8" Brass	M11149
801B	Uphrust Spacer, 1/16" Brass (as required)	M11190
801C	Uphrust Spacing Shim, 1/8" 416SS (as req.)	M11544
	• Bolt Kit, 6" Motor	B69659
	• Bolt Kit, 4" Motor	B76087
	• Pop Rivet, 5/32" x 3/8" lg. (2 Req.)	M10172
	• Nameplate	M12165
	• Owner's Manual	BE215

• Not illustrated.

#### Additional Staging (Quantity: 1 each per stage)

Item Number	Part Number	Part Description
39A	P23-67	Rubber Bearing
84	F5-11	Impeller Collet
199	M09656	Intermediate Bowl

#### 6" Cable Guard Length\*

Stages	Length (In.)
4	25.63
7	37.44
9	45.32
13	61.07
18	80.76

#### 4" Cable Guard Length\*

Stages	Length (In.)
4	23.93
7	35.57

\* Sold in 12' lengths only, Part Number 308666000.

Consult owner's manual for correct assembly and adjustment procedures.



# Submersible Turbine Repair Parts

Section	ST
Page	10.2
Date	December 1, 2004
Supersedes NEW	

## 6T-75

### 4" & 6" Motors

#### Available Impellers\*

Description	Part Number	Size (In.)
"A" Full Trim	M11848	4.13 x 3.95
"B" 5% Trim	M11849	4.06 x 3.83
"C" 10% Trim	M11850	4.00 x 3.76

\* 20° trim angle.

#### 6T-75 Impeller Specifications

Catalog Number	Horsepower	416 SS Shaft§	Primary Trims	Part Number†	Trim (In.)	Secondary Trim	Part Number	Trim (In.)
B76664	5	L06555	4	M11848	4.13 x 3.95			
B76089*	5	L08475	4	M11848	4.13 x 3.95			
B76665	7.5	L06557	7	M11850	4.00 x 3.76			
B76090*	7.5	L08477	7	M11850	4.00 x 3.76			
B76666	10	L06556	9	M11849	4.06 x 3.83			
B76667	15	L06731	13	M11849	4.06 x 3.83			
B76668	20	L06559	18	M11849	4.06 x 3.83			

† Key #2 – Impeller.

§ Key #6 – Pump Shaft.

\* Pump equipped with 4" motor.



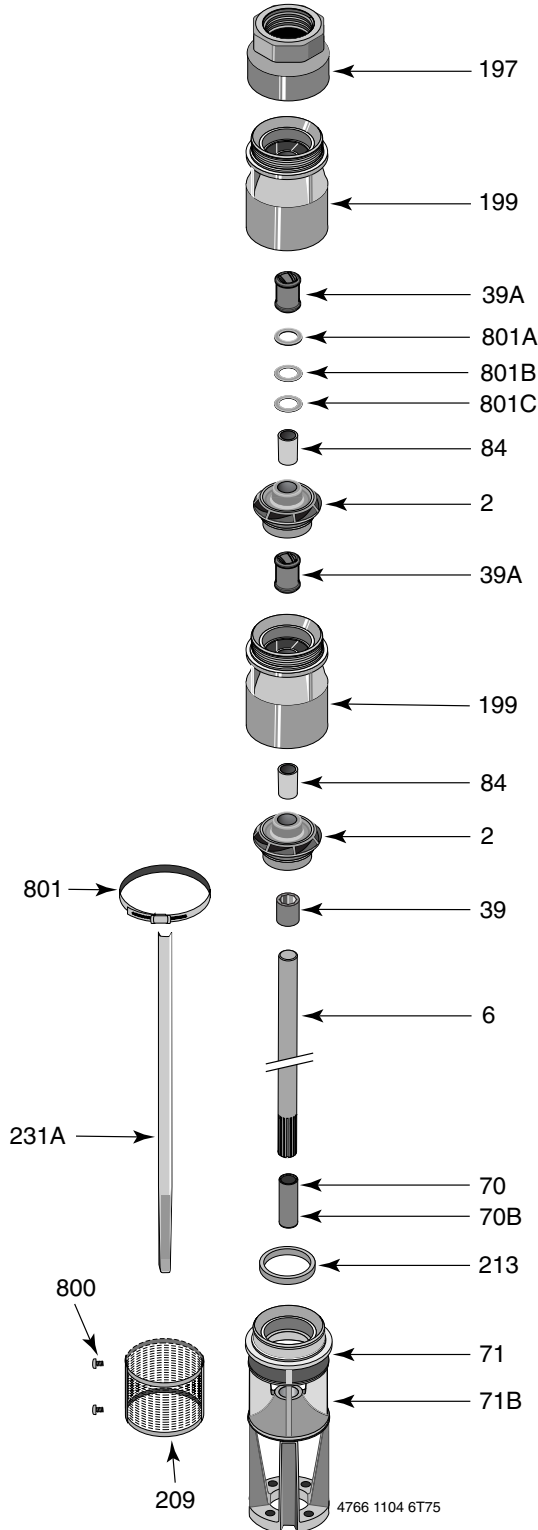
# Submersible Turbine Repair Parts

Section	ST
Page	20.1
Date	December 1, 2004
Supersedes NEW	

## 6T-90

### 4" & 6" Motors

### 6T-90 Common Parts Groups Repair Parts List



Item No.	Part Description	Part Number
39	Inlet Rubber Bearing	S13636
39A	Rubber Bearing	P23-67
70	Splined Coupling	387630500
70B	4" Motor Coupling	M11245
71	Inlet Bracket for 6" Motor	H05840
71B	Inlet Bracket for 4" Motor	H05818
84	Collet, Impeller	F5-11
197	Discharge Connector, 3" FPT	L08314
199	Top Bowl	M09656
209	Suction Screen	306773500
213	Adaptor Ring	M10996
800	Pan Head Tapping Screw #8-15 (2 Req.)	S29885
801	Cable Guard Clamp (2 Req.)	M08594
801A	Upthrust Spacer, 1/8" Brass	M11149
801B	Upthrust Spacer, 1/16" Brass (as required)	M11190
801C	Upthrust Spacing Shim, 1/8" 416SS (as req.)	M11544
	• Bolt Kit, 6" Motor	B69659
	• Bolt Kit, 4" Motor	B76087
	• Pop Rivet, 5/32" x 3/8" Ig. (2 Req.)	M10172
	• Nameplate	M12165
	• Owner's Manual	BE215

• Not illustrated.

#### Additional Staging (Quantity: 1 each per stage)

Item Number	Part Number	Part Description
39A	P23-67	Rubber Bearing
84	F5-11	Impeller Collet
199	M09656	Intermediate Bowl

#### 6" Cable Guard Length\*

Stages	Length (In.)
4	25.63
6	33.51
8	41.38
12	57.13
16	72.89

#### 4" Cable Guard Length\*

Stages	Length (In.)
4	23.93
6	31.60

\* Sold in 12' lengths only, Part Number 308666000.

Consult owner's manual for correct assembly and adjustment procedures.



# Submersible Turbine Repair Parts

Section	ST
Page	20.2
Date	December 1, 2004
Supersedes NEW	

## 6T-90

### 4" & 6" Motors

#### Available Impellers\*

Description	Part Number	Size (In.)
"A" Full Trim	M11853	3.94 x 3.71
"B" 5% Trim	M14079	3.84 x 3.61
"C" 10% Trim	M14080	3.75 x 3.52

\* 20° trim angle.

#### 6T-90 Impeller Specifications

Catalog Number	Horsepower	416 SS Shaft§	Primary Trims	Part Number†	Trim (In.)	Secondary Trim	Part Number	Trim (In.)
B76669	5	L06555	4	M11853	3.94 x 3.71			
B76091*	5	L08475	4	M11853	3.94 x 3.71			
B76670	7.5	L06553	6	M11853	3.94 x 3.71			
B76092*	7.5	L08476	6	M11853	3.94 x 3.71			
B76671	10	L06554	8	M11853	3.94 x 3.71			
B76672	15	L06560	12	M11853	3.94 x 3.71			
B76673	20	L06561	16	M11853	3.94 x 3.71			

† Key #2 – Impeller.

§ Key #6 – Pump Shaft.

\* Pump equipped with 4" motor.



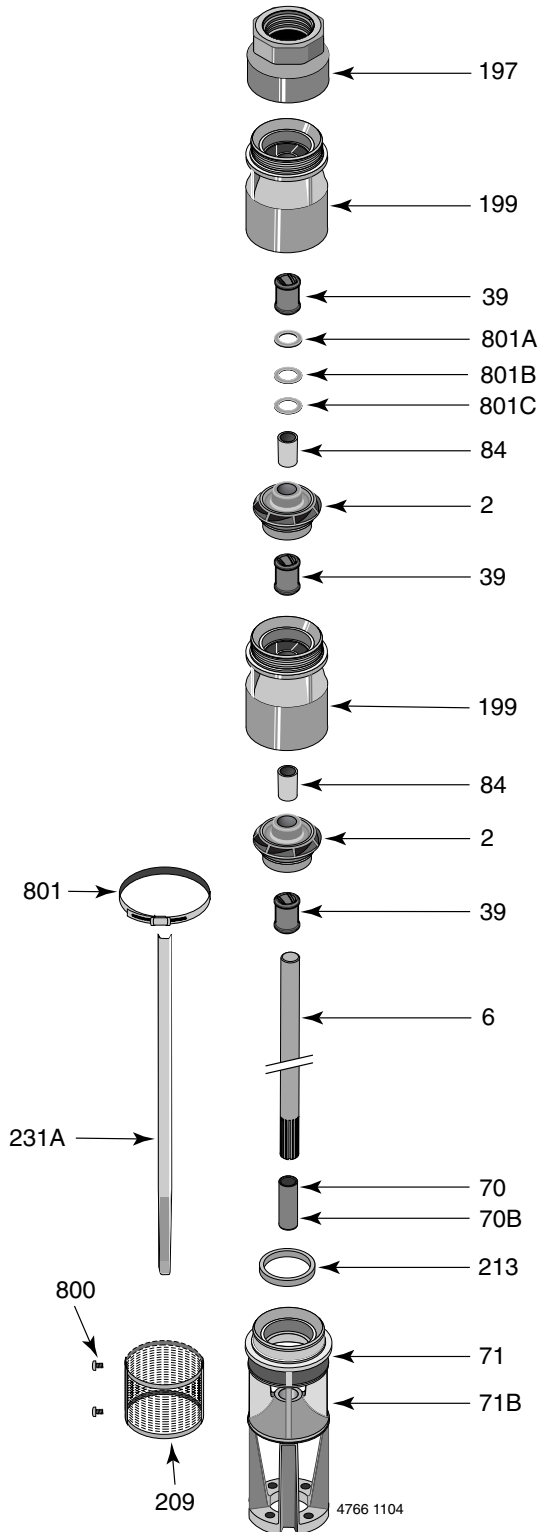
# Submersible Turbine Repair Parts

Section	ST
Page	30.1
Date	December 1, 2004
Supersedes NEW	

## 6T-115

### 4" & 6" Motors

#### 6T-115 Common Parts Groups Repair Parts List



Item No.	Part Description	Part Number
39	Rubber Bearing	S13636
70	Splined Coupling	387630500
70B	4" Motor Coupling	M11245
71	Inlet Bracket for 6" Motor	H05841
71B	Inlet Bracket for 4" Motor	H05819
84	Collet, Impeller	M11147
197	Discharge Connector, 3" FPT	L08195
199	Top Bowl and Bearing Assembly (Item No. 39)	B82479
209	Suction Screen	306773500
213	Adaptor Ring	M11148
800	Pan Head Tapping Screw #8-15 (2 Req.)	S29885
801	Cable Guard Clamp (2 Req.)	M09143
801A	Upthrust Spacer, 1/8" Brass	M11149
801B	Upthrust Spacer, 1/16" Brass (as required)	M11295
801C	Upthrust Spacing Shim, 1/8" 416SS (as req.)	M11544
	• Bolt Kit, 6" Motor	B69659
	• Bolt Kit, 4" Motor	B76087
	• Pop Rivet, 5/32" x 3/8" lg. (2 Req.)	M10172
	• Nameplate	M12165
	• Owner's Manual	BE215

• Not illustrated.

#### Additional Staging (Quantity: 1 each per stage)

Item Number	Part Number	Part Description
39	S13636	Rubber Bearing (included in bowl)
84	M11147	Impeller Collet
199	B82479	Intermediate Bowl**

\*\* Includes S13636 Bearing.

#### 6" Cable Guard Length\*

Stages	Length (In.)
3	23.75
5	33.00
6	37.63
10	56.13
12	65.38
16	83.88
20	102.38
23	116.20

#### 4" Cable Guard Length\*

Stages	Length (In.)
3	21.72
5	31.20

\* Sold in 12' lengths only, Part Number 308666000.

Consult owner's manual for correct assembly and adjustment procedures.



# Submersible Turbine Repair Parts

Section	ST
Page	30.2
Date	December 1, 2004
Supersedes NEW	

## 6T-115

### 4" & 6" Motors

#### Available Impellers\*

Description	Part Number	Size (In.)
"A" Full Trim	M11664	4.04 x 3.71
"B" 5% Trim	M11855	3.95 x 3.62
"C" 10% Trim	M11856	3.85 x 3.51

\* 21° trim angle.

#### 6T-115 Impeller Specifications

Catalog Number	Horsepower	416 SS Shaft§	Primary Trims	Part Number†	Trim (In.)	Secondary Trim	Part Number	Trim (In.)
B82401*	5	L08471	3	M11664	4.04 x 3.71			
B82402	5	L08350	3	M11664	4.04 x 3.71			
B82403*	7.5	L08473	5	M11664	4.04 x 3.71			
B82404	7.5	L08352	5	M11664	4.04 x 3.71			
B82405	10	L08353	6	M11664	4.04 x 3.71			
B82406	15	L08357	10	M11664	4.04 x 3.71			
B82407	20	L08359	12	M11664	4.04 x 3.71			
B82408	25	L08362	16	M11664	4.04 x 3.71			
B82409	30	L08370	20	M11664	4.04 x 3.71			
B82410	40	L08389	23	M11664	4.04 x 3.71			

† Key #2 – Impeller.

§ Key #6 – Pump Shaft.

\* Pump equipped with 4" motor.



# Submersible Turbine Repair Parts

Section	ST
Page	40.1
Date	December 1, 2004
Supersedes NEW	

## 6T-155

### 4" & 6" Motors

#### 6T-115 Common Parts Groups Repair Parts List

Item No.	Part Description	Part Number
39	Rubber Bearing	S13636
70	Splined Coupling	387630500
70B	4" Motor Coupling	M11245
71	Inlet Bracket for 6" Motor	H05841
71B	Inlet Bracket for 4" Motor	H05819
84	Collet, Impeller	M11147
197	Discharge Connector, 3" FPT	L08195
199	Top Bowl and Bearing Assembly (Item No. 39)	B82479
209	Suction Screen	306773500
213	Adaptor Ring	M11148
800	Pan Head Tapping Screw #8-15 (2 Req.)	S29885
801	Cable Guard Clamp (2 Req.)	M09143
801A	Upthrust Spacer, 1/8" Brass	M11149
801B	Upthrust Spacer, 1/16" Brass (as required)	M11190
801C	Upthrust Spacing Shim, 1/8" 416SS (as req.)	M11544
	• Bolt Kit, 6" Motor	B69659
	• Bolt Kit, 4" Motor	B76087
	• Pop Rivet, 5/32" x 3/8" Ig. (2 Req.)	M10172
	• Nameplate	M12165
	• Owner's Manual	BE215

• Not illustrated.

#### Additional Staging (Quantity: 1 each per stage)

Item Number	Part Number	Part Description
39	S13636	Rubber Bearing (included in bowl)
84	M11147	Impeller Collet
199	B82479	Intermediate Bowl**

\*\* Includes S13636 Bearing.

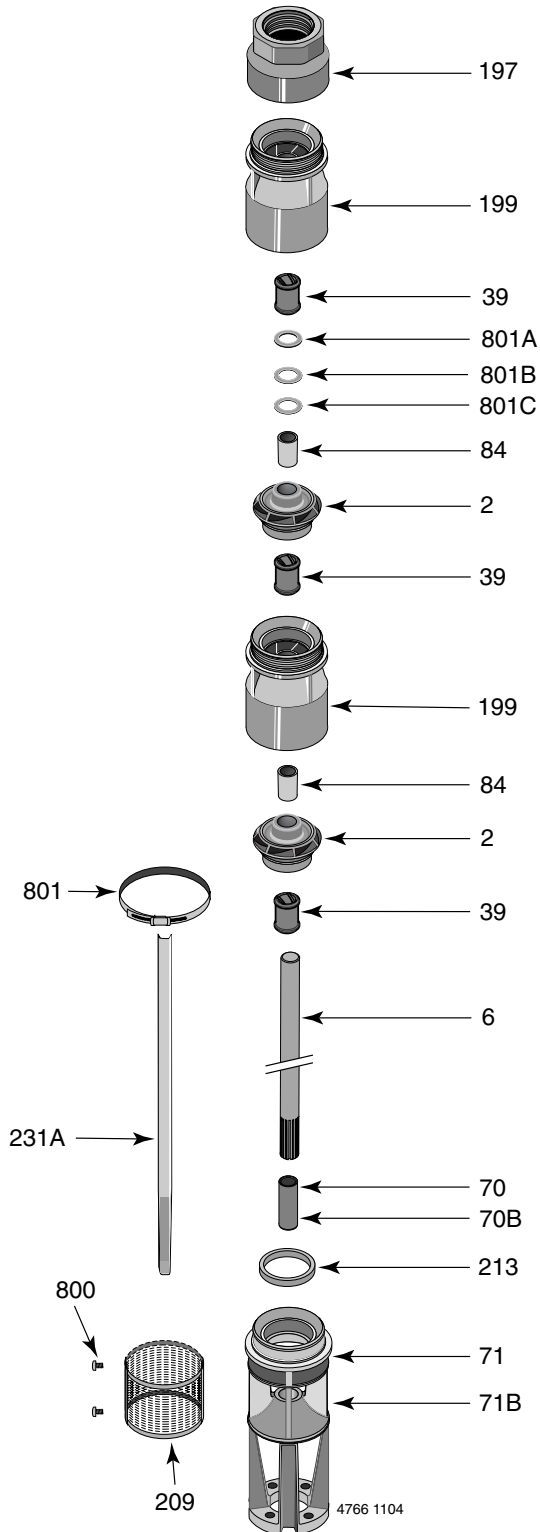
#### 6" Cable Guard Length\*

Stages	Length (In.)
2	19.13
3	23.75
4	28.38
6	37.63
9	51.50
11	60.75
13	69.88
17	88.50
21	107.00

#### 4" Cable Guard Length\*

Stages	Length (In.)
2	17.29
3	24.30

\* Sold in 12' lengths only, Part Number 308666000.



Consult owner's manual for correct assembly and adjustment procedures.



# Submersible Turbine Repair Parts

Section	ST
Page	40.2
Date	December 1, 2004
Supersedes NEW	

## 6T-155

### 4" & 6" Motors

#### Available Impellers\*

Description	Part Number	Size (In.)
"A" Full Trim	M11665	4.07 x 3.74
"B" 5% Trim	M11959	3.89 x 3.56
"C" 10% Trim	M12351	3.74 x 3.40

\* 21° trim angle.

#### 6T-155 Impeller Specifications

Catalog Number	Horsepower	416 SS Shaft§	Primary Trims	Part Number†	Trim (In.)	Secondary Trim	Part Number	Trim (In.)
B76690	5	L08349	2	M11665	4.07 x 3.74			
B76099*	5	L08470	2	M11665	4.07 x 3.74			
B76691	7.5	L08350	3	M11665	4.07 x 3.74			
B76100*	7.5	L08471	3	M11665	4.07 x 3.74			
B76692	10	L08351	4	M11665	4.07 x 3.74			
B76693	15	L08353	6	M11665	4.07 x 3.74			
B76694	20	L08356	8	M11665	4.07 x 3.74	1	M12351	3.74 x 3.40
B76695	25	L08358	9	M11665	4.07 x 3.74	2	M11959	3.89 x 3.56
B76696	30	S39990	12	M11665	4.07 x 3.74	1	M11959	3.89 x 3.56
B76697	40	L08363	17	M11665	4.07 x 3.74			
B76698	50	L08371	21	M11665	4.07 x 3.74			

† Key #2 – Impeller.

§ Key #6 – Pump Shaft.

\* Pump equipped with 4" motor.





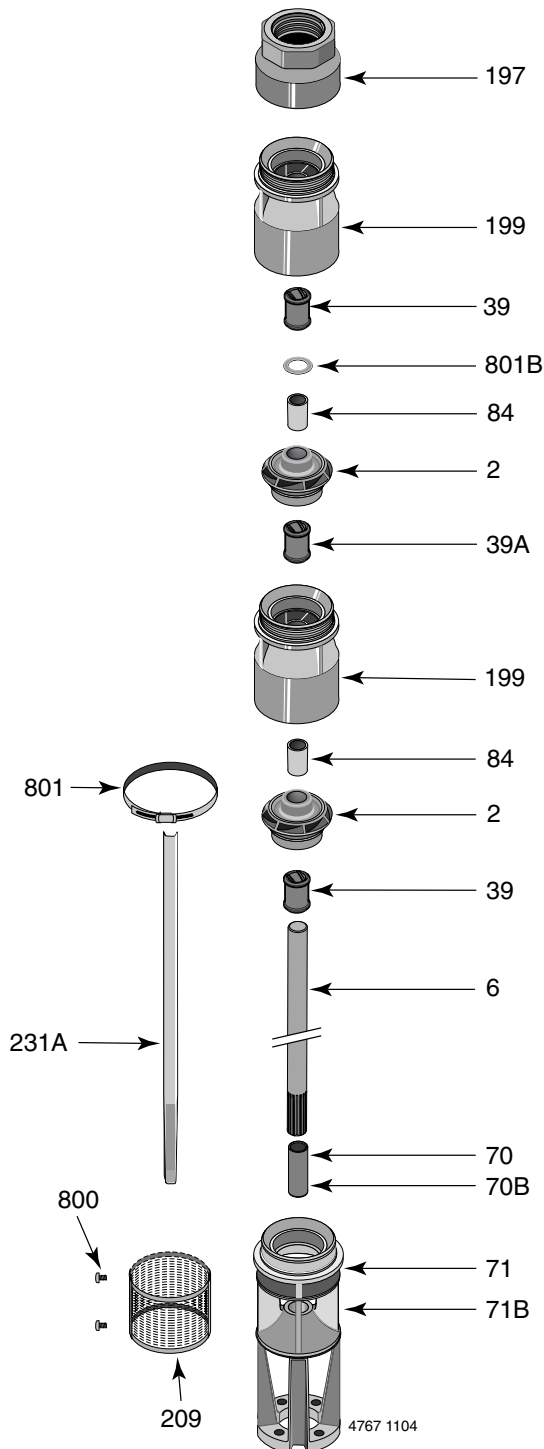
# Submersible Turbine Repair Parts

Section	ST
Page	50.1
Date	December 1, 2004
Supersedes NEW	

## 6T-200

### 4" & 6" Motors

#### 6T-200 Common Parts Groups Repair Parts List



Item No.	Part Description	Part Number
39	Rubber Bearing	S13636
70	Splined Coupling	387630500
70B	4" Motor Coupling	M11245
71	Inlet Bracket for 6" Motor	H05841
71B	Inlet Bracket for 4" Motor	H05819
84	Collet, Impeller	S05301
197	Discharge Connector, 3" FPT	L08195
199	Top Bowl and Bearing Assembly (Item No. 39)	B82480
209	Suction Screen	306773500
800	Pan Head Tapping Screw #8-15 (2 Req.)	S29885
801	Cable Guard Clamp (2 Req.)	M09143
801B	Upthrust Spacer, 1/16" Brass (as required)	M11546
	• Bolt Kit, 6" Motor	B69659
	• Bolt Kit, 4" Motor	B76087
	• Pop Rivet, 5/32" x 3/8" lg. (2 Req.)	M10172
	• Nameplate	M12165
	• Owner's Manual	BE215

• Not illustrated.

#### Additional Staging (Quantity: 1 each per stage)

Item Number	Part Number	Part Description
39	S13636	Rubber Bearing (included in bowl)
84	M11147	Impeller Collet
199	B82479	Intermediate Bowl**

\*\* Includes S13636 Bearing.

#### 6" Cable Guard Length\*

Stages	Length (In.)
2	19.88
3	24.88
4	29.88
6	39.88
8	49.88
10	59.88
12	69.88
16	89.88
20	109.88

#### 4" Cable Guard Length\*

Stages	Length (In.)
2	18.00
3	23.00

\* Sold in 12' lengths only, Part Number 308666000.

Consult owner's manual for correct assembly and adjustment procedures.

Form No. S4855BK



# Submersible Turbine Repair Parts

Section	ST
Page	50.2
Date	December 1, 2004
Supersedes NEW	

**6T-200**

**4" & 6" Motors**

## Available Impellers\*

Description	Part Number	Size (In.)
"A" Full Trim	M11666	4.52 x 3.88
"B" 5% Trim	M11862	4.46 x 3.81
"C" 10% Trim	M11863	4.41 x 3.75

\* 32° trim angle.

## 6T-200 Impeller Specifications

Catalog Number	Horsepower	416 SS Shaft§	Primary Trims	Part Number†	Trim (In.)	Secondary Trim	Part Number	Trim (In.)
B76699	5	S39980	2	M11862	4.46 x 3.81			
B76101*	5	L08487	2	M11862	4.46 x 3.81			
B76700	7.5	S39981	2	M11863	4.41 x 3.75	1	M11666	4.52 x 3.88
B76102*	7.5	L08488	2	M11863	4.41 x 3.75	1	M11666	4.52 x 3.88
B76701	10	S39982	3	M11666	4.52 x 3.88	1	M11863	4.41 x 3.75
B76702	15	S39984	5	M11666	4.52 x 3.88	1	M11863	4.41 x 3.75
B76703	20	S39986	8	M11666	4.52 x 3.88			
B76704	25	S39988	10	M11666	4.52 x 3.88			
B76705	30	S39990	12	M11666	4.52 x 3.88			
B76706	40	S39994	16	M11666	4.52 x 3.88			
B76707	50	L06878	20	M11666	4.52 x 3.88			

† Key #2 – Impeller.

§ Key #6 – Pump Shaft.

\* Pump equipped with 4" motor.



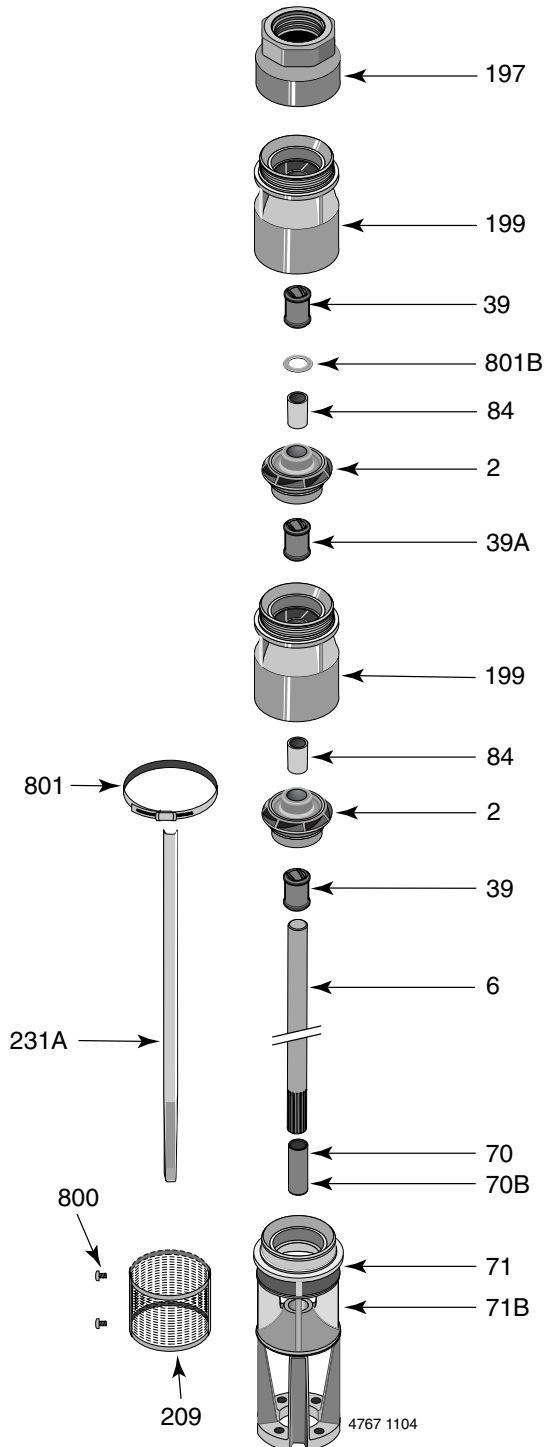
# Submersible Turbine Repair Parts

Section	ST
Page	60.1
Date	December 1, 2004
Supersedes NEW	

## 6T-225

### 4" & 6" Motors

### 6T-225 Common Parts Groups Repair Parts List



Item No.	Part Description	Part Number
39	Rubber Bearing	S13636
70	Splined Coupling	387630500
70B	4" Motor Coupling	M11245
71	Inlet Bracket for 6" Motor	H05841
71B	Inlet Bracket for 4" Motor	H05819
84	Collet, Impeller	S05301
197	Discharge Connector, 4" NPT	L08196
199	Top Bowl and Bearing Assembly (Item No. 39)	B82480
209	Suction Screen	306773500
800	Pan Head Tapping Screw #8-15 (2 Req.)	S29885
801	Cable Guard Clamp (2 Req.)	M09143
801B	Upthrust Spacer, 1/16" Brass (as required)	M11546
	• Bolt Kit, 6" Motor	B69659
	• Bolt Kit, 4" Motor	B76087
	• Pop Rivet, 5/32" x 3/8" lg. (2 Req.)	M10172
	• Nameplate	M12165
	• Owner's Manual	BE215

• Not illustrated.

#### Additional Staging (Quantity: 1 each per stage)

Item Number	Part Number	Part Description
39	S13636	Rubber Bearing (included in bowl)
84	S05301	Impeller Collet
199	B82480	Intermediate Bowl**

\*\* Includes S13636 Bearing.

#### 6" Cable Guard Length\*

Stages	Length (In.)
2	19.88
3	24.88
4	29.88
6	39.88
8	49.88
10	59.88
12	69.88
16	89.88
20	109.88

#### 4" Cable Guard Length\*

Stages	Length (In.)
1	12.86
2	18.00
3	23.00

\* Sold in 12' lengths only, Part Number 308666000.

Consult owner's manual for correct assembly and adjustment procedures.

Form No. S4855BK



# Submersible Turbine Repair Parts

Section	ST
Page	60.2
Date	December 1, 2004
Supersedes NEW	

## 6T-225

### 4" & 6" Motors

#### Available Impellers\*

Description	Part Number	Size (In.)
"A" Full Trim	1000001364	4.50 x 3.83
"B" 5% Trim	M14081	4.40 x 3.73
"C" 10% Trim	M14082	4.31 x 3.64

\* 32° trim angle.

#### 6T-225 Impeller Specifications

Catalog Number	Horsepower	416 SS Shaft§	Primary Trims	Part Number†	Trim (In.)	Secondary Trim	Part Number	Trim (In.)
B81322*	3	L08486	1	1000001364	4.50 x 3.83			
B81324*	5	L08487	2	1000001364	4.50 x 3.83			
B81323	5	S39980	2	1000001364	4.50 x 3.83			
B81326*	7.5	L08488	3	1000001364	4.50 x 3.83			
B81325	7.5	S39981	3	1000001364	4.50 x 3.83			
B81327	10	S39982	4	1000001364	4.50 x 3.83			
B81328	15	S39984	6	1000001364	4.50 x 3.83			
B81329	20	S39986	8	1000001364	4.50 x 3.83			
B81330	25	S39988	10	1000001364	4.50 x 3.83			
B81331	30	S39990	12	1000001364	4.50 x 3.83			
B81332	40	S39994	16	1000001364	4.50 x 3.83			
B81333	50	L06878	20	1000001364	4.50 x 3.83			

† Key #2 – Impeller.

§ Key #6 – Pump Shaft.

\* Pump equipped with 4" motor.



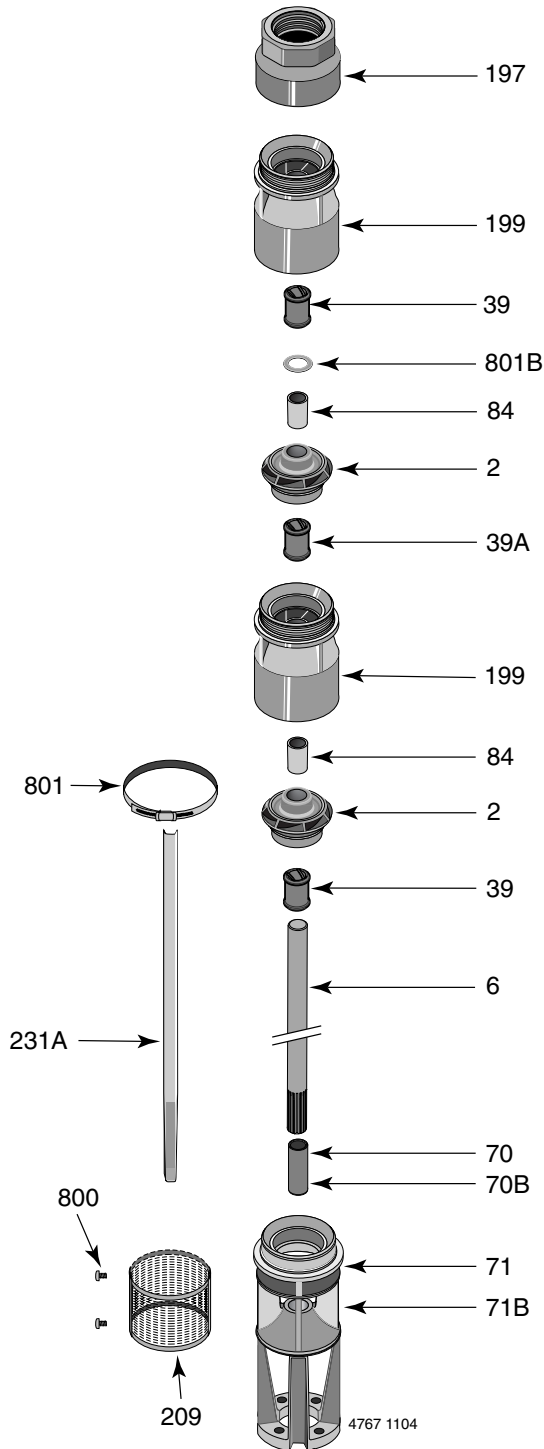
# Submersible Turbine Repair Parts

Section	ST
Page	70.1
Date	December 1, 2004
Supersedes NEW	

## 6T-275

### 4" & 6" Motors

#### 6T-275 Common Parts Groups Repair Parts List



Item No.	Part Description	Part Number
39	Rubber Bearing	S13636
70	Splined Coupling	387630500
70B	4" Motor Coupling	M11245
71	Inlet Bracket for 6" Motor	H05841
71B	Inlet Bracket for 4" Motor	H05819
84	Collet, Impeller	S05301
197	Discharge Connector, 4" NPT	L08196
199	Top Bowl and Bearing Assembly (Item No. 39)	B82480
209	Suction Screen	306773500
800	Pan Head Tapping Screw #8-15 (2 Req.)	S29885
801	Cable Guard Clamp (2 Req.)	M09143
801B	Upthrust Spacer, 1/16" Brass (as required)	M11546
	• Bolt Kit, 6" Motor	B69659
	• Bolt Kit, 4" Motor	B76087
	• Pop Rivet, 5/32" x 3/8" lg. (2 Req.)	M10172
	• Nameplate	M12165
	• Owner's Manual	BE215

• Not illustrated.

#### Additional Staging (Quantity: 1 each per stage)

Item Number	Part Number	Part Description
39	S13636	Rubber Bearing (included in bowl)
84	S05301	Impeller Collet
199	B82480	Intermediate Bowl**

\*\* Includes S13636 Bearing.

#### 6" Cable Guard Length\*

Stages	Length (In.)
1	14.88
2	19.88
3	24.88
4	29.88
5	34.88
6	39.88
7	44.88
9	54.88
12	69.88
14	79.88

#### 4" Cable Guard Length\*

Stages	Length (In.)
1	12.86
2	18.00

\* Sold in 12' lengths only, Part Number 308666000.

Consult owner's manual for correct assembly and adjustment procedures.

Form No. S4855BK



# Submersible Turbine Repair Parts

Section	ST
Page	70.2
Date	December 1, 2004
Supersedes NEW	

## 6T-275

### 4" & 6" Motors

#### Available Impellers\*

Description	Part Number	Size (In.)
"A" Full Trim	M11668	4.53 x 3.88
"B" 5% Trim	M11893	4.25 x 3.56
"C" 10% Trim	M11895	4.16 x 3.46

\* 32° trim angle.

#### 6T-275 Impeller Specifications

Catalog Number	Horsepower	416 SS Shaft§	Primary Trims	Part Number†	Trim (In.)	Secondary Trim	Part Number	Trim (In.)
B76718	5	L07333	1	M11668	4.53 x 3.88			
B76105*	5	L08486	1	M11668	4.53 x 3.88			
B76719	7.5	S39980	2	M11893	4.25 x 3.56			
B76106*	7.5	L08487	2	M11893	4.25 x 3.56			
B76720	10	S39981	3	M11895	4.16 x 3.46			
B76721	15	S39982	3	M11893	4.25 x 3.56	1	M11668	4.53 x 3.88
B76722	20	S39983	4	M11668	4.53 x 3.88	1	M11895	4.16 x 3.46
B76723	25	S39984	6	M11668	4.53 x 3.88			
B76724	30	S39985	7	M11668	4.53 x 3.88			
B76725	34	S39987	9	M11668	4.53 x 3.88			
B76726	50	S39990	12	M11668	4.53 x 3.88			
B76727	60	S39992	14	M11668	4.53 x 3.88			

† Key #2 – Impeller.

§ Key #6 – Pump Shaft.

\* Pump equipped with 4" motor.



# Submersible Turbine Repair Parts

Section	ST
Page	80.1
Date	December 1, 2004
Supersedes NEW	

## 6T-325

### 6" Motor

### 6T-325 Common Parts Groups Repair Parts List

Item No.	Part Description	Part Number
39	Rubber Bearing	S13636
70	Splined Coupling	387630500
71	Inlet Bracket for 6" Motor	H05839
84	Collet, Impeller	P23-82
197	Discharge Connector, 4" NPT	L08196
199	Top Bowl and Bearing Assembly (Item No. 39)	B82481
209	Suction Screen	306773500
800	Pan Head Tapping Screw #8-15 (2 Req.)	S29885
801	Cable Guard Clamp (2 Req.)	M09143
801A	Upthrust Spacer, 1/8" Brass	M11149
801B	Upthrust Spacer, 1/16" Brass (as required)	M11190
801C	Upthrust Spacing Shim, 1/8" 416SS (as req.)	M11544
	• Bolt Kit, 6" Motor	B69659
	• Pop Rivet, 5/32" x 3/8" lg. (2 Req.)	M10172
	• Nameplate	M12165
	• Owner's Manual	BE215

• Not illustrated.

### Additional Staging (Quantity: 1 each per stage)

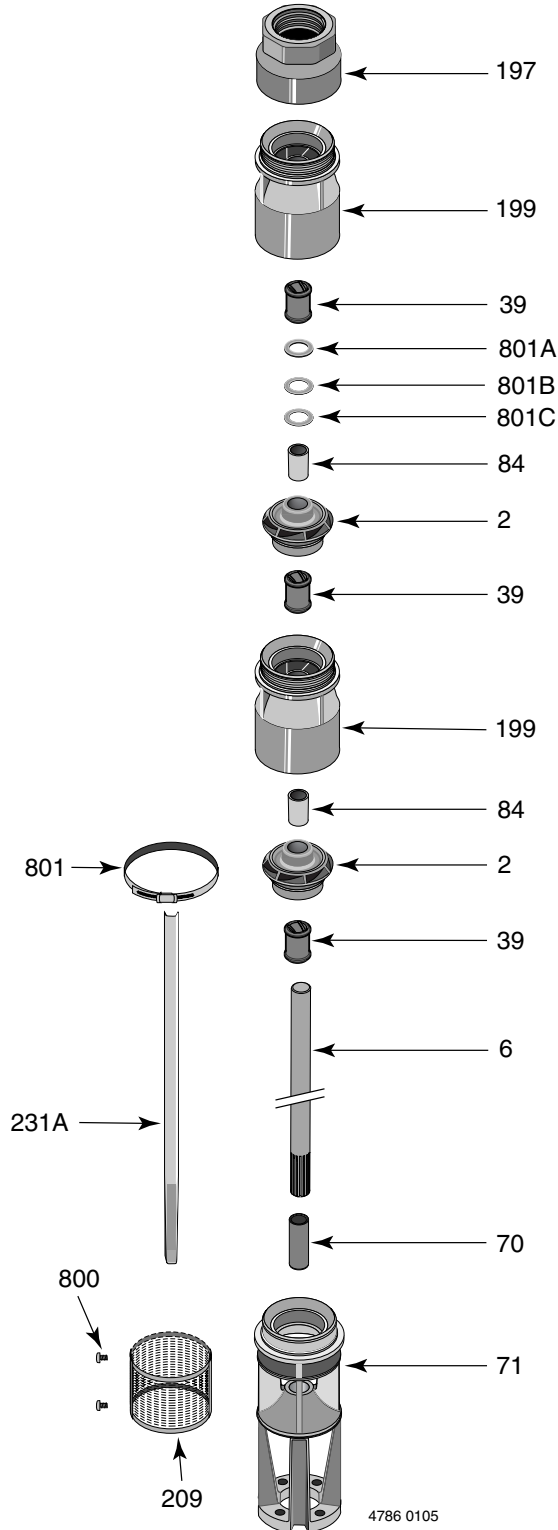
Item Number	Part Number	Part Description
39	S13636	Rubber Bearing (included in bowl)
84	P23-82	Impeller Collet
199	B82481	Intermediate Bowl**

\*\* Includes S13636 Bearing.

### Cable Guard Length\*

Stages	Length (In.)
2	18.42
3	23.29
4	28.17
5	33.00
7	42.29
8	47.67
10	57.42
13	72.04
15	81.79

\* Sold in 12' lengths only, Part Number 308666000.



Consult owner's manual for correct assembly and adjustment procedures.



# Submersible Turbine Repair Parts

Section	ST
Page	80.2
Date	December 1, 2004
Supersedes NEW	

**6T-325**  
**6" Motor**

## Available Impellers\*

Description	Part Number	Size (In.)
"A" Full Trim	M11669	4.44 x 3.84
"B" 5% Trim	M11900	4.35 x 3.75
"C" 10% Trim	M11903	4.25 x 3.63

\* 26° trim angle.

## 6T-325 Impeller Specifications

Catalog Number	Horsepower	416 SS Shaft§	Primary Trims	Part Number†	Trim (In.)	Secondary Trim	Part Number	Trim (In.)
B82431	7.5	M09395	1	M11669	4.44 x 3.84	1	M11903	4.25 x 3.63
B82432	10	M09396	3	M11903	4.25 x 3.63			
B82433	15	M09397	3	M11669	4.44 x 3.84	1	M11903	4.25 x 3.63
B82434	20	L07321	5	M11669	4.44 x 3.84			
B82435	25	M09399	4	M11903	4.25 x 3.63	3	M11669	4.44 x 3.84
B82436	30	L06943	6	M11669	4.44 x 3.84	2	M11903	4.25 x 3.63
B82437	40	M09400	10	M11669	4.44 x 3.84			
B82438	50	L06944	12	M11669	4.44 x 3.84	1	M11903	4.25 x 3.63
B82439	60	L06893	15	M11669	4.44 x 3.84			

† Key #2 – Impeller.

§ Key #6 – Pump Shaft.





# Submersible Turbine Repair Parts

Section	ST
Page	90.1
Date	December 1, 2004
Supersedes NEW	

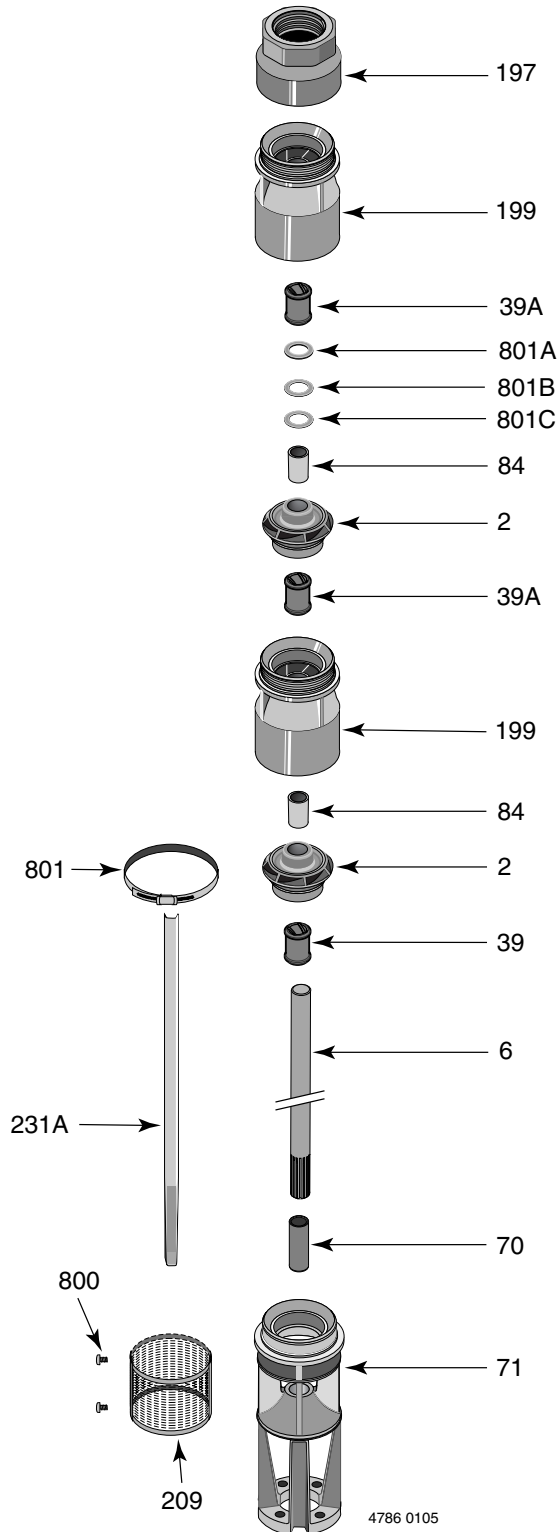
## 6T-450

### 6" Motors

#### 6T-450 Common Parts Groups Repair Parts List

Item No.	Part Description	Part Number
39	Inlet Rubber Bearing	S13636
39A	Rubber Bearing	M11244
70	Splined Coupling	387630500
71	Inlet Bracket for 6" Motor	M13974
84	Collet, Impeller	S05301
197	Discharge Connector, 3" FPT	M13973
199	Top Bowl	B82560
209	Suction Screen	306773500
800	Pan Head Tapping Screw #8-15 (2 Req.)	S29885
801	Cable Guard Clamp (2 Req.)	M09143
801A	Upthrust Spacer, 1/8" Brass	M11149
801B	Upthrust Spacer, 1/16" Brass (as required)	M11190
801C	Upthrust Spacing Shim, 1/8" 416SS (as req.)	M11544
	• Bolt Kit, 6" Motor	B69659
	• Pop Rivet, 5/32" x 3/8" lg. (2 Req.)	M10172
	• Nameplate	M12165
	• Owner's Manual	BE215

• Not illustrated.



#### Additional Staging (Quantity: 1 each per stage)

Item Number	Part Number	Part Description
39	M11244	Rubber Bearing (included in bowl)
84	S05301	Impeller Collet
199	B82560	Intermediate Bowl**

\*\* Includes M11244 Bearing.

#### 6" Cable Guard Length\*

Stages	Length (In.)
1	15.34
2	21.47
3	27.60
4	33.73
5	39.86

#### 6" Cable Guard Length\*

Stages	Length (In.)
6	46.00
8	58.25
10	70.51
12	82.77

\* Sold in 12' lengths only, Part Number 308666000.

Consult owner's manual for correct assembly and adjustment procedures.

Form No. S4855BK



# Submersible Turbine Repair Parts

Section	ST
Page	90.2
Date	December 1, 2004
Supersedes NEW	

**6T-450**

**6" Motors**

## Available Impellers\*

Description	Part Number	Size (In.)
"A" Full Trim	M13786	4.74 x 3.62

\* 30° trim angle.

## 6T-450 Impeller Specifications

Catalog Number	Horsepower	416 SS Shaft§	Primary Trims	Part Number†	Trim (In.)	Secondary Trim	Part Number	Trim (In.)
B82550	7.5	M13994	1	M13786	4.74 x 3.62			
B82551	10	M13995	2	M13786	4.74 x 3.62			
B82552	15	M13996	3	M13786	4.74 x 3.62			
B82553	20	M13997	4	M13786	4.74 x 3.62			
B82554	25	M13998	5	M13786	4.74 x 3.62			
B82555	30	M13999	6	M13786	4.74 x 3.62			
B82556	40	M14000	8	M13786	4.74 x 3.62			
B82557	50	M14001	10	M13786	4.74 x 3.62			
B82558	60	M14002	12	M13786	4.74 x 3.62			

† Key #2 – Impeller.

§ Key #6 – Pump Shaft.



# Submersible Turbine Repair Parts

Section	ST
Page	100.1
Date	December 1, 2004
Supersedes NEW	

## 7T-175

### 6" Motor

### 7T-175 Common Parts Groups Repair Parts List

Item No.	Part Description	Part Number
39	Upthrust Bearing	S39708
39A	Bronze Bearing	816120048
39B	Rubber Bearing	S13636
40	Sand Collar, 1" ID x 1-1/2" OD x 1-1/4" lg.	S03785
66	Jam Nut, 3/4-16 SS	800302516
70	Splined Coupling	387630500
71	Inlet Bracket for 6" Motor	H05338
84	Collet, Impeller	S05301
197	Discharge Connector, 4" FPT	L08023
199	Top Bowl and Bearing Assembly (Item No. 39B)	B82482
209	Suction Screen	L07631
800A	Thrust Screw	307900300
800B	Pan Head Tapping Screw #8-15 (2 Req.)	S29885
800C	Set Screw, 3/8-16 x 3/8" lg.	S24287
801	Cable Guard Clamp (2 Req.)	M08595
	• Bolt Kit, 6" Motor	B69659
	• Pop Rivet, 5/32" x 3/8" lg. (2 Req.)	M10172
	• Nameplate	M12165
	• Owner's Manual	BE215

• Not illustrated.

### Additional Staging (Quantity: 1 each per stage)

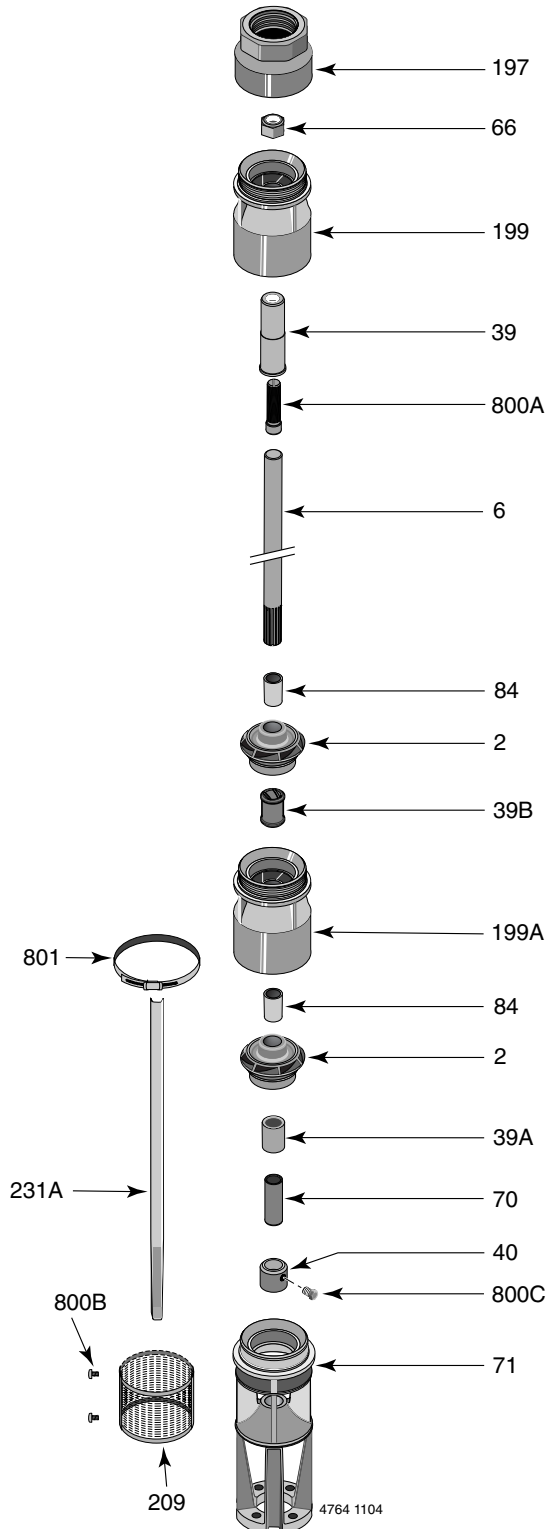
Item Number	Part Number	Part Description
39B	S13636	Rubber Bearing (included in bowl)
84	S05301	Impeller Collet
199	B82482	Intermediate Bowl**

\*\* Includes S13636 Bearing.

### Cable Guard Length\*

Stages	Length (In.)
2	22.62
3	29.12
4	35.62
6	48.62
7	55.12
9	68.12
11	81.12
14	100.62
17	120.12

\* Sold in 12' lengths only, Part Number 308666000.



Consult owner's manual for correct assembly and adjustment procedures.



# Submersible Turbine Repair Parts

Section	ST
Page	100.2
Date	December 1, 2004
Supersedes NEW	

## 7T-175 6" Motor

### Available Impellers\*

Description	Part Number	Size (In.)
"A" Full Trim	M13830	5.29 x 5.03
"B" 5% Trim	M13940	5.02 x 4.78
"C" 10% Trim	L08499	4.76 x 4.44
"D" 15% Trim	L08496	4.58 x 4.26

\* 23° trim angle.

### 7T-175 Impeller Specifications

Catalog Number	Horsepower	416 SS Shaft§	Primary Trims	Part Number†	Trim (In.)	Secondary Trim	Part Number	Trim (In.)
B76140	5	M11743	2	L08496	4.58 x 4.26			
B76141	7.5	M11744	3	L08496	4.58 x 4.26			
B76142	10	M11745	4	L08496	4.58 x 4.26			
B76143	15	M11747	6	L08496	4.58 x 4.26			
B76144	20	M09176	7	L08499	4.76 x 4.44			
B76145	25	M11750	9	L08499	4.76 x 4.44			
B76146	30	L07331	11	L08499	4.76 x 4.44			
B76147	40	L07334	14	L08499	4.76 x 4.44			
B76148	50	M11167	17	L08499	4.76 x 4.44			

† Key #2 – Impeller.

§ Key #6 – Pump Shaft.



# Submersible Turbine Repair Parts

Section	ST
Page	110.1
Date	December 1, 2004
Supersedes NEW	

## 7T-250

### 6" Motor

### 7T-250 Common Parts Groups Repair Parts List

Item No.	Part Description	Part Number
39	Upthrust Bearing	S39708
39A	Inlet Bronze Bearing	816120048
39B	Rubber Bearing	S13636
40	Sand Collar, 1" ID x 1-1/2" OD x 1-1/4" lg.	S03785
70	Splined Coupling	387630500
71	Inlet Bracket for 6" Motor	H05338
84	Collet, Impeller	S05301
197	Discharge Connector, 4" FPT	L08023
199	Top Bowl and Bearing Assembly (Item No. 39B)	B82482
209	Suction Screen	L07631
800	Pan Head Tapping Screw #8-15 (2 Req.)	S29885
800A	Thrust Screw	307900300
800C	Set Screw, 3/8-16 x 3/8" lg.	S24287
801	Cable Guard Clamp (2 Req.)	M08595
66	Jam Nut, 3/4-16 SS	800302516
	• Bolt Kit, 6" Motor	B69659
	• Pop Rivet, 5/32" x 3/8" lg. (2 Req.)	M10172
	• Nameplate	M12165
	• Owner's Manual	BE215

• Not illustrated.

### Additional Staging (Quantity: 1 each per stage)

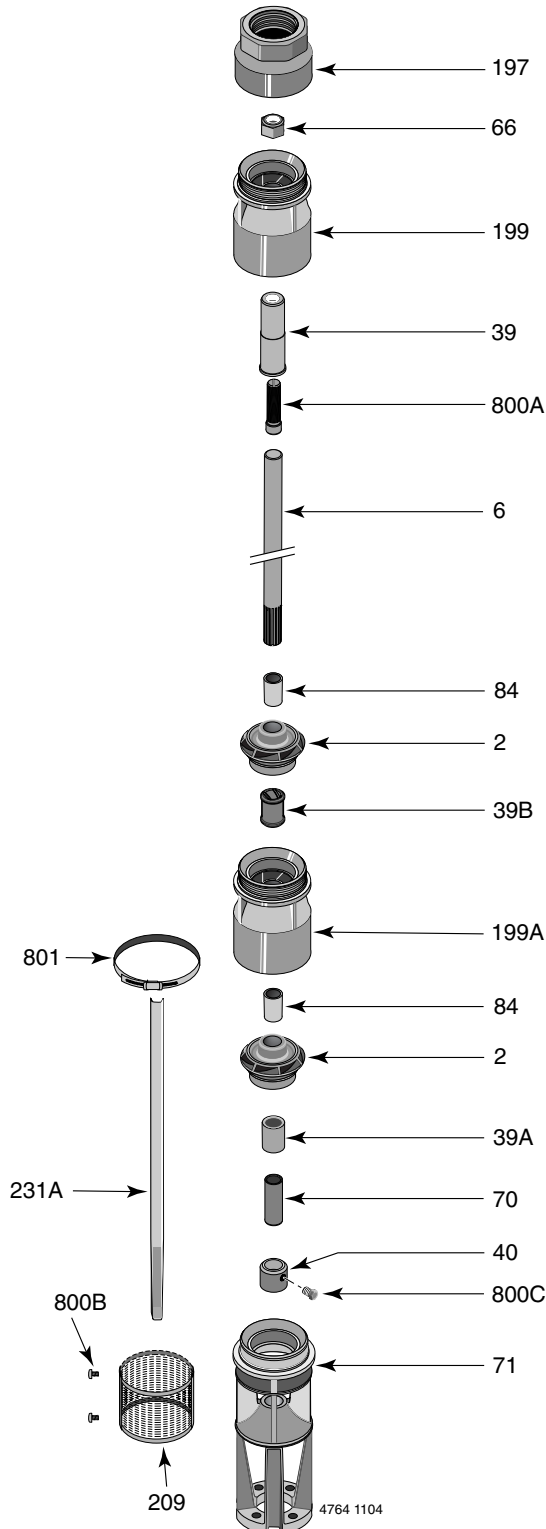
Item Number	Part Number	Part Description
39	S13636	Rubber Bearing (included in bowl)
84	S05301	Impeller Collet
199	B82482	Intermediate Bowl**

\*\* Includes S13636 Bearing.

### Cable Guard Length\*

Stages	Length (In.)
1	16.12
2	22.62
3	29.12
4	35.62
5	42.12
6	48.62
8	61.62
11	81.12
13	

\* Sold in 12' lengths only, Part Number 308666000.



Consult owner's manual for correct assembly and adjustment procedures.



# Submersible Turbine Repair Parts

Section	ST
Page	110.2
Date	December 1, 2004
Supersedes NEW	

**7T-250**  
**6" Motor**

## Available Impellers\*

Description	Part Number	Size (In.)
"A" Full Trim	M13831	5.31 x 4.96
"B" 5% Trim	H05631	5.06 x 4.72
"C" 10% Trim	M13943	4.81 x 4.46

\* 23° trim angle.

## 7T-250 Impeller Specifications

Catalog Number	Horsepower	416 SS Shaft§	Primary Trims	Part Number†	Trim (In.)	Secondary Trim	Part Number	Trim (In.)
B75069	5	M11742	1	H05631	5.06 x 4.72			
B75070	7.5	M11743	2	H05738	4.73 x 4.39			
B75071	10	M11743	2	H05631	5.06 x 4.72			
B75072	15	M11744	3	H05631	5.06 x 4.72			
B75073	20	M11745	4	H05631	5.06 x 4.72			
B75074	25	M11746	5	H05631	5.06 x 4.72			
B75075	30	M11747	6	H05631	5.06 x 4.72			
B75076	40	S39988	8	H05631	5.06 x 4.72			
B75077	50	L07331	11	H05631	5.06 x 4.72			
B76078	60	M11165	13	H05631	5.06 x 4.72			

† Key #2 – Impeller.

§ Key #6 – Pump Shaft.



# Submersible Turbine Repair Parts

Section	ST
Page	120.1
Date	December 1, 2004
Supersedes NEW	

## 7T-350

### 6" Motor

### 7T-350 Common Parts Groups Repair Parts List

Item No.	Part Description	Part Number
39	Rubber Bearing	S13636
70	Splined Coupling	387630500
71	Inlet Bracket for 6" Motor	H05843
84	Collet, Impeller	S05301
197	Discharge Connector, 4" NPT	L06689
199	Top Bowl and Bearing Assembly (Item No. 39)	B82482
209	Suction Screen	L07631
800	Pan Head Tapping Screw #8-15 (2 Req.)	S29885
801	Cable Guard Clamp (2 Req.)	M08595
801A	Upthrust Spacer, 1/8" Brass	M11544
801B	Upthrust Spacer, 1/16" Brass (as required)	M11190
801C	Upthrust Spacing Shim, 1/8" 416SS (as req.)	M11149
•	Bolt Kit, 6" Motor	B69659
•	Pop Rivet, 5/32" x 3/8" lg. (2 Req.)	M10172
•	Nameplate	M12165
•	Owner's Manual	BE215

• Not illustrated.

### Additional Staging (Quantity: 1 each per stage)

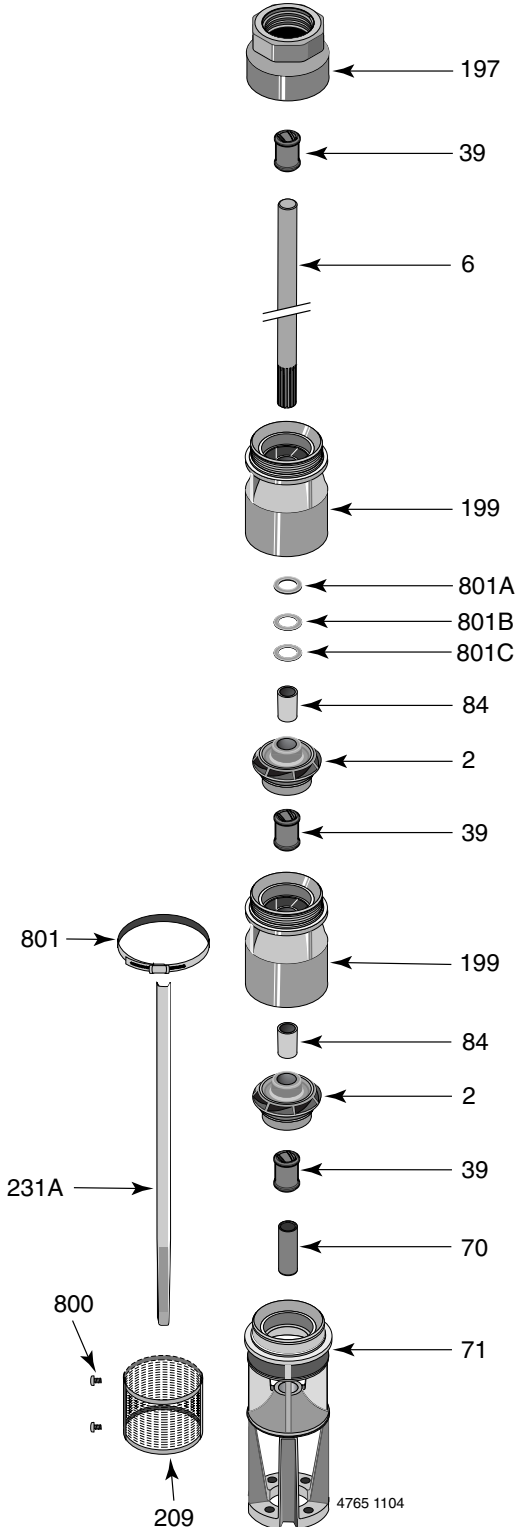
Item Number	Part Number	Part Description
39	S13636	Rubber Bearing (included in bowl)
84	S05301	Impeller Collet
199	B82482	Intermediate Bowl**

\*\* Includes S13636 Bearing.

### Cable Guard Length\*

Stages	Length (In.)
1	16.12
2	22.62
3	29.12
4	35.62
5	42.12
6	48.62
8	61.62
9	68.12

\* Sold in 12' lengths only, Part Number 308666000.



Consult owner's manual for correct assembly and adjustment procedures.



# Submersible Turbine Repair Parts

Section	ST
Page	120.2
Date	December 1, 2004
Supersedes NEW	

**7T-350**  
**6" Motor**

## Available Impellers\*

Description	Part Number	Size (In.)
"A" Full Trim	M11670	5.39 x 4.75
"B" 5% Trim	M11917	5.11 x 4.44
"C" 10% Trim	M11921	5.00 x 4.25

\* 30° trim angle.

## 7T-350 Impeller Specifications

Catalog Number	Horsepower	416 SS Shaft§	Primary Trims	Part Number†	Trim (In.)	Secondary Trim	Part Number	Trim (In.)
B77538	5	M11742	1	M11921	5.00 x 4.25			
B77539	7.5	M11742	1	M11670	5.39 x 4.75			
B77540	10	M11743	2	M11921	5.00 x 4.25			
B77541	15	M11744	3	M11921	5.00 x 4.25			
B77542	20	M11744	3	M11670	5.39 x 4.75			
B77543	25	M11745	3	M11670	5.39 x 4.75	1	M11917	5.11 x 4.44
B77544	30	M11746	3	M11670	5.39 x 4.75	2	M11917	5.11 x 4.44
B77545	40	M11747	6	M11670	5.39 x 4.75			
B77546	50	M11749	6	M11670	5.39 x 4.75	2	M11917	5.11 x 4.44
B77547	60	M11750	9	M11670	5.39 x 4.75			

† Key #2 – Impeller.

§ Key #6 – Pump Shaft.





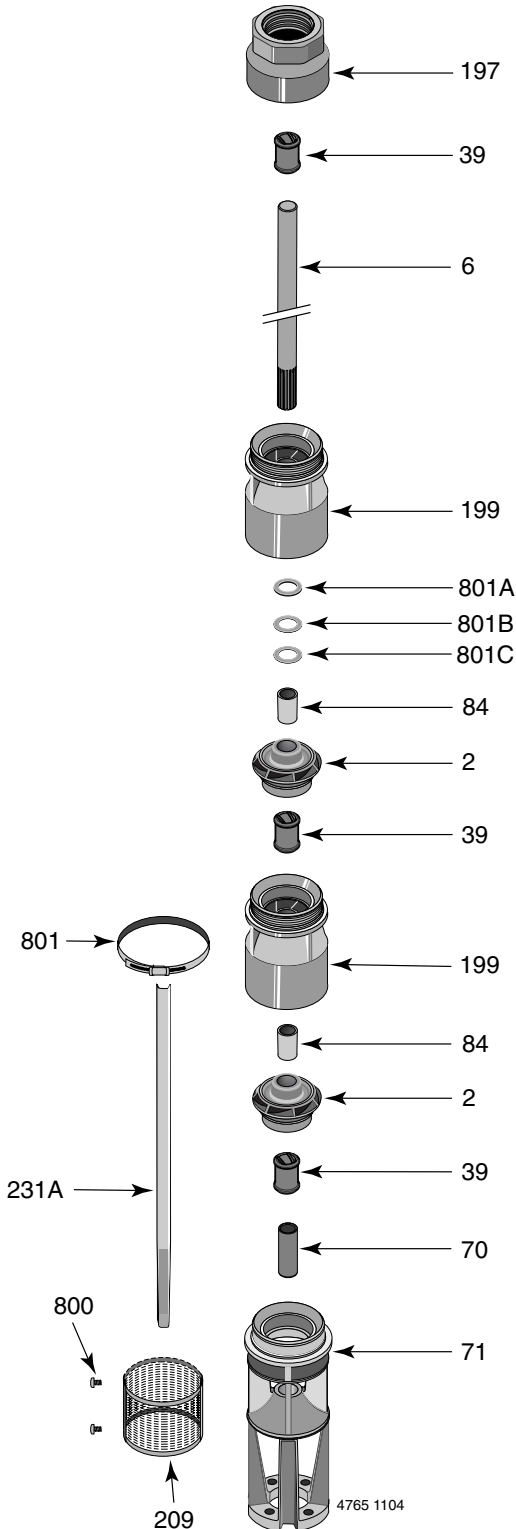
# Submersible Turbine Repair Parts

Section	ST
Page	130.1
Date	December 1, 2004
Supersedes NEW	

## 7T-350

### 8" Motor

### 7T-350 Common Parts Groups Repair Parts List



Item No.	Part Description	Part Number
39	Rubber Bearing	S13636
70	Splined Coupling, 8" Motor	S32704
71	Inlet Bracket for 8" Motor	H05844
84	Collet, Impeller	S05301
197	Discharge Connector, 6" NPT	L06689
199	Top Bowl and Bearing Assembly (Item No. 39)	B82482
209	Suction Screen	L07631
800	Pan Head Tapping Screw #8-15 (2 Req.)	S29885
801	Cable Guard Clamp (2 Req.)	M10191
801A	Upthrust Spacer, 1/8" Brass	M11544
801B	Upthrust Spacer, 1/16" Brass (as required)	M11190
801C	Upthrust Spacing Shim, 1/8" 416SS (as req.)	M11149
	Lock Washer, Spring (4 req.)	S23093
	Capscrew, 5/8"-11 x 2-1/2" lg. (4 req.)	S27005
	• Pop Rivet, 5/32" x 3/8" lg. (2 Req.)	M10172
	• Nameplate	M12165
	• Owner's Manual	BE215

• Not illustrated.

#### Additional Staging (Quantity: 1 each per stage)

Item Number	Part Number	Part Description
39	S13636	Rubber Bearing (included in bowl)
84	S05301	Impeller Collet
199	B82482	Intermediate Bowl**

\*\* Includes S13636 Bearing.

#### Cable Guard Length\*

Stages	Length (In.)
11	81.93
14	101.43

\* Sold in 12' lengths only, Part Number 308666000.

Consult owner's manual for correct assembly and adjustment procedures.



# Submersible Turbine Repair Parts

Section	ST
Page	130.2
Date	December 1, 2004
Supersedes NEW	

**7T-350**  
**8" Motor**

## Available Impellers\*

Description	Part Number	Size (In.)
"A" Full Trim	M11670	5.39 x 4.75
"B" 5% Trim	M11917	5.11 x 4.44
"C" 10% Trim	M11921	5.00 x 4.25

\* 30° trim angle.

## 7T-350 Impeller Specifications

Catalog Number	Horsepower	416 SS Shaft§	Primary Trims	Part Number†	Trim (In.)	Secondary Trim	Part Number	Trim (In.)
B77548	75	M11767	10	M11670	5.39 x 4.75			
B77549	100	M11770	14	M11670	5.39 x 4.75			

† Key #2 – Impeller.

§ Key #6 – Pump Shaft.



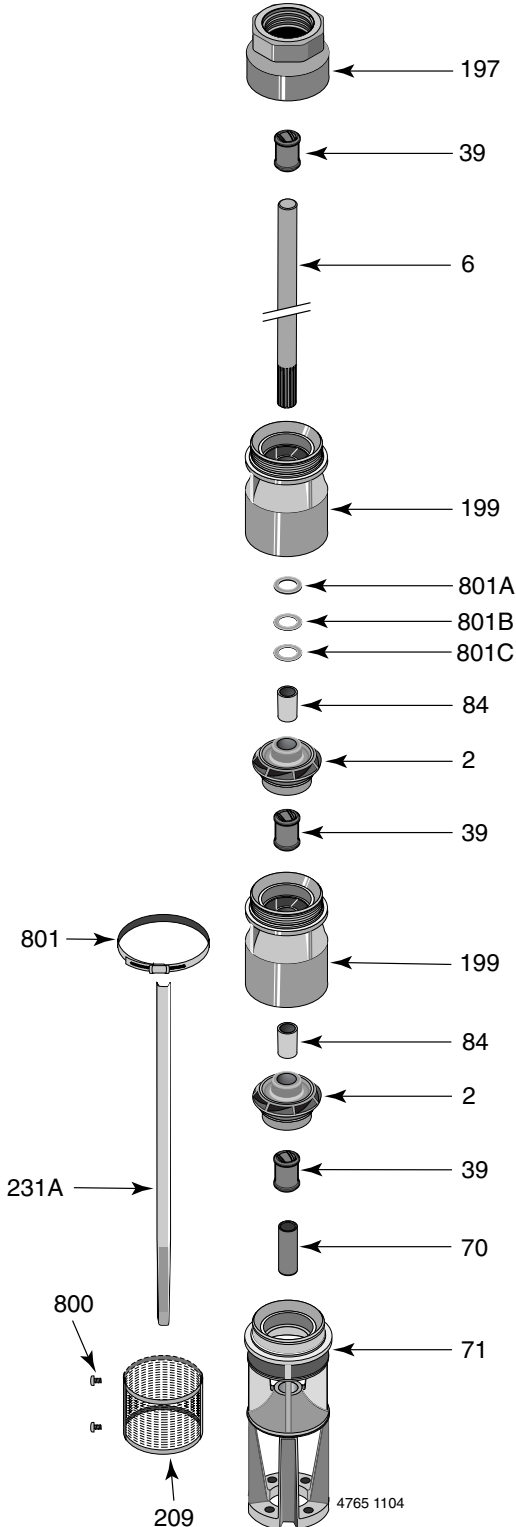
# Submersible Turbine Repair Parts

Section	ST
Page	140.1
Date	December 1, 2004
Supersedes NEW	

## 7T-450

### 6" Motor

### 7T-450 Common Parts Groups Repair Parts List



Item No.	Part Description	Part Number
39	Rubber Bearing	S13636
70	Splined Coupling	387630500
71	Inlet Bracket for 6" Motor	H05843
84	Collet, Impeller	S05301
197	Discharge Connector, 6" NPT	L06689
199	Top Bowl and Bearing Assembly (Item No. 39)	B82482
209	Suction Screen	L07631
800	Pan Head Tapping Screw #8-15 (2 Req.)	S29885
801	Cable Guard Clamp (2 Req.)	M08595
801A	Upthrust Spacer, 1/8" Brass	M11544
801B	Upthrust Spacer, 1/16" Brass (as required)	M11295
801C	Upthrust Spacing Shim, 1/8" 416SS (as req.)	M11149
•	Bolt Kit, 6" Motor	B69659
•	Pop Rivet, 5/32" x 3/8" Ig. (2 Req.)	M10172
•	Nameplate	M12165
•	Owner's Manual	BE215

• Not illustrated.

#### Additional Staging (Quantity: 1 each per stage)

Item Number	Part Number	Part Description
39	S13636	Rubber Bearing (included in bowl)
84	S05301	Impeller Collet
199	B82482	Intermediate Bowl**

\*\* Includes S13636 Bearing.

#### Cable Guard Length\*

Stages	Length (In.)
1	16.12
2	22.62
3	29.12
4	35.62
5	42.12
6	48.62
7	55.12

\* Sold in 12' lengths only, Part Number 308666000.

Consult owner's manual for correct assembly and adjustment procedures.



# Submersible Turbine Repair Parts

Section	ST
Page	140.2
Date	December 1, 2004
Supersedes NEW	

**7T-450**  
**6" Motor**

## Available Impellers\*

Description	Part Number	Size (In.)
"A" Full Trim	M11671	5.38 x 4.69
"B" 5% Trim	M11931	5.19 x 4.48
"C" 10% Trim	M11935	5.04 x 4.31

\* 24° trim angle.

## 7T-450 Impeller Specifications

Catalog Number	Horsepower	416 SS Shaft§	Primary Trims	Part Number†	Trim (In.)	Secondary Trim	Part Number	Trim (In.)
B77550	7.5	M11742	1	M11935	5.04 x 4.31			
B77551	10	M11743	2	M11939	4.73 x 3.97			
B77552	15	M11743	2	M11931	5.19 x 4.48			
B77553	20	M11744	3	M11935	5.04 x 4.31			
B77554	25	M11744	3	M11671	5.38 x 4.69			
B77555	30	M11745	2	M11671	5.38 x 4.69	2	M11931	5.19 x 4.48
B77556	40	M11746	4	M11671	5.38 x 4.69	1	M11931	5.19 x 4.48
B77557	50	M11747	6	M11671	5.38 x 4.69			
B77558	60	M11748	7	M11671	5.38 x 4.69			

† Key #2 – Impeller.

§ Key #6 – Pump Shaft.



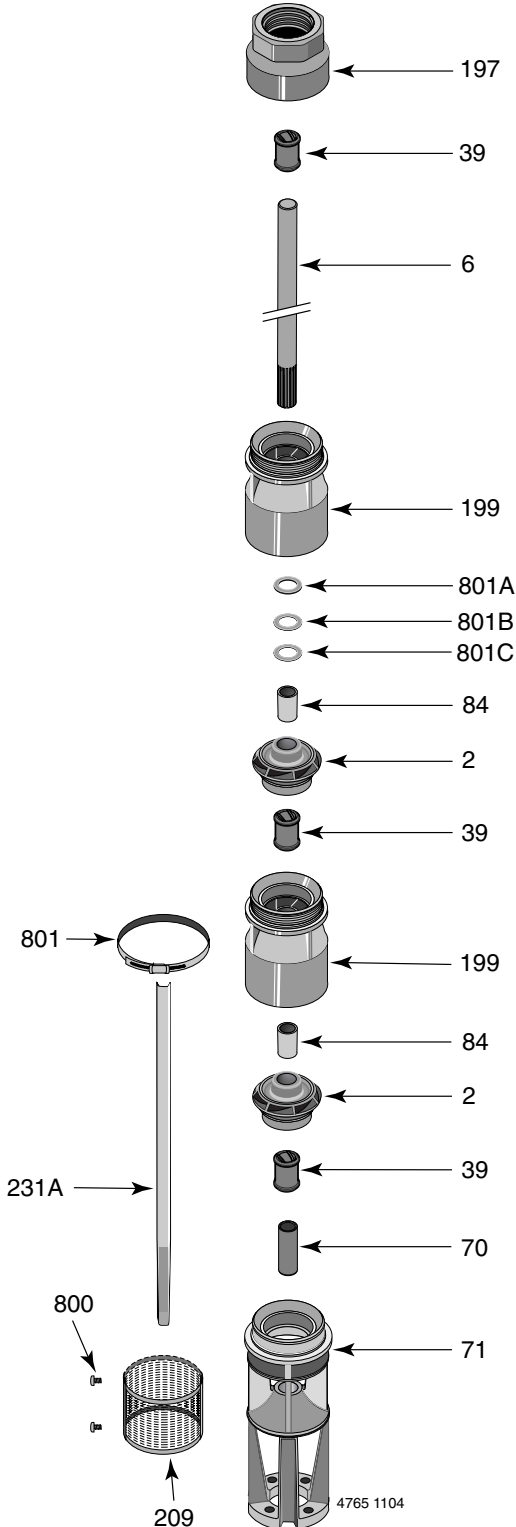
# Submersible Turbine Repair Parts

Section	ST
Page	150.1
Date	December 1, 2004
Supersedes NEW	

## 7T-450

### 8" Motor

### 7T-450 Common Parts Groups Repair Parts List



Item No.	Part Description	Part Number
39	Rubber Bearing	S13636
70	Splined Coupling, 8" Motor	S32704
71	Inlet Bracket for 8" Motor	H05844
84	Collet, Impeller	S05301
197	Discharge Connector, 6" NPT	L06689
199	Top Bowl and Bearing Assembly (Item No. 39)	B82482
209	Suction Screen	L07631
800	Pan Head Tapping Screw #8-15 (2 Req.)	S29885
801	Cable Guard Clamp (2 Req.)	M10191
801A	Upthrust Spacer, 1/8" Brass	M11544
801B	Upthrust Spacer, 1/16" Brass (as required)	M11295
801C	Upthrust Spacing Shim, 1/8" 416SS (as req.)	M11149
	Lock Washer, Spring (4 req.)	S23093
	Capscrew, 5/8"-11 x 2-1/2" lg. (4 req.)	S27005
	• Pop Rivet, 5/32" x 3/8" lg. (2 Req.)	M10172
	• Nameplate	M12165
	• Owner's Manual	BE215

• Not illustrated.

#### Additional Staging (Quantity: 1 each per stage)

Item Number	Part Number	Part Description
39	S13636	Rubber Bearing (included in bowl)
84	S05301	Impeller Collet
199	B82482	Intermediate Bowl**

\*\* Includes S13636 Bearing.

#### Cable Guard Length\*

Stages	Length (In.)
8	62.43
11	81.93

\* Sold in 12' lengths only, Part Number 308666000.

Consult owner's manual for correct assembly and adjustment procedures.



# Submersible Turbine Repair Parts

Section	ST
Page	150.2
Date	December 1, 2004
Supersedes NEW	

**7T-450**

**8" Motor**

## Available Impellers\*

Description	Part Number	Size (In.)
"A" Full Trim	M11671	5.38 x 4.69
"B" 5% Trim	M11931	5.19 x 4.48
"C" 10% Trim	M11935	5.04 x 4.31

\* 24° trim angle.

## 7T-450 Impeller Specifications

Catalog Number	Horsepower	416 SS Shaft§	Primary Trims	Part Number†	Trim (In.)	Secondary Trim	Part Number	Trim (In.)
B77559	75	M11764	8	M11671	5.38 x 4.69			
B77560	100	M11767	11	M11671	5.38 x 4.69			

† Key #2 – Impeller.

§ Key #6 – Pump Shaft.



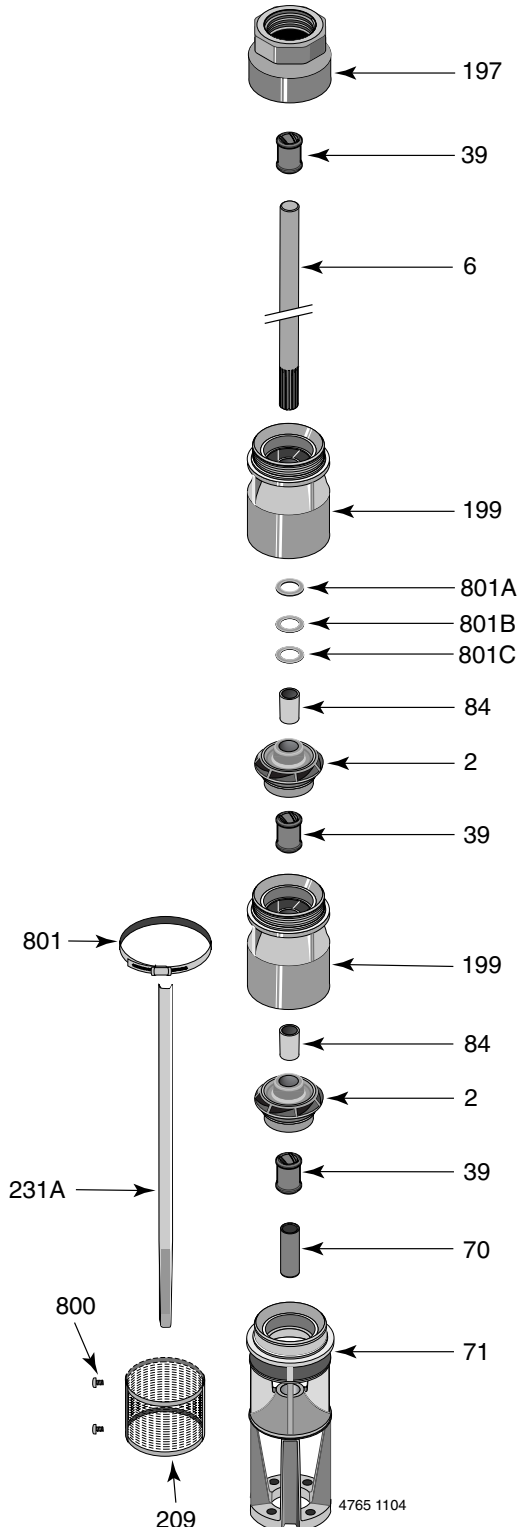
# Submersible Turbine Repair Parts

Section	ST
Page	160.1
Date	December 1, 2004
Supersedes NEW	

## 7T-500

### 6" Motor

### 7T-500 Common Parts Groups Repair Parts List



Item No.	Part Description	Part Number
39	Rubber Bearing	S13636
70	Splined Coupling	387630500
71	Inlet Bracket for 6" Motor	H05843
84	Collet, Impeller	S05301
197	Discharge Connector, 6" NPT	L06689
199	Top Bowl and Bearing Assembly (Item No. 39)	B82482
209	Suction Screen	L07631
800	Pan Head Tapping Screw #8-15 (2 Req.)	S29885
801	Cable Guard Clamp (2 Req.)	M08595
801A	Upthrust Spacer, 1/8" Brass	M11544
801B	Upthrust Spacer, 1/16" Brass (as required)	M11295
801C	Upthrust Spacing Shim, 1/8" 416SS (as req.)	M11149
•	Bolt Kit, 6" Motor	B69659
•	Pop Rivet, 5/32" x 3/8" Ig. (2 Req.)	M10172
•	Nameplate	M12165
•	Owner's Manual	BE215

• Not illustrated.

#### Additional Staging (Quantity: 1 each per stage)

Item Number	Part Number	Part Description
39	S13636	Rubber Bearing (included in bowl)
84	S05301	Impeller Collet
199	B82482	Intermediate Bowl**

\*\* Includes S13636 Bearing.

#### Cable Guard Length\*

Stages	Length (In.)
1	16.12
2	22.62
3	29.12
4	35.62
5	42.12

\* Sold in 12' lengths only, Part Number 308666000.

Consult owner's manual for correct assembly and adjustment procedures.



# Submersible Turbine Repair Parts

Section	ST
Page	160.2
Date	December 1, 2004
Supersedes NEW	

**7T-500**  
**6" Motor**

## Available Impellers\*

Description	Part Number	Size (In.)
"A" Full Trim	M11672	5.38 x 4.75
"B" 5% Trim	M11941	5.31 x 4.69
"C" 10% Trim	M11950	4.69 x 4.31

\* 20° trim angle.

## 7T-500 Impeller Specifications

Catalog Number	Horsepower	416 SS Shaft§	Primary Trims	Part Number†	Trim (In.)	Secondary Trim	Part Number	Trim (In.)
B77561	10	M11742	1	M11852	4.88 x 4.23			
B77562	15	M11742	1	M11672	5.38 x 4.75			
B77563	20	M11743	2	M11950	4.69 x 4.31			
B77564	25	M11743	2	M11672	5.38 x 4.75			
B77565	30	M11744	3	M11950	4.69 x 4.31			
B77566	40	M11744	3	M11672	5.38 x 4.75			
B77567	50	M11745	4	M11672	5.38 x 4.75			
B77568	60	M11746	5	M11941	5.31 x 4.69			

† Key #2 – Impeller.

§ Key #6 – Pump Shaft.





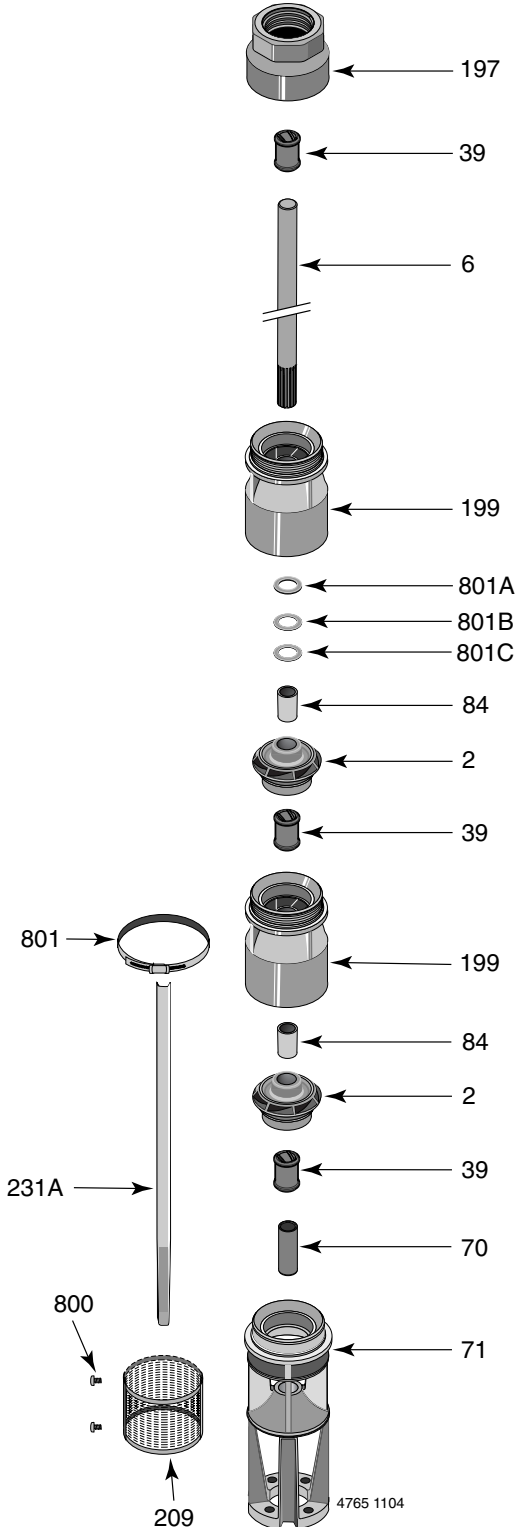
# Submersible Turbine Repair Parts

Section	ST
Page	170.1
Date	December 1, 2004
Supersedes NEW	

## 7T-500

### 8" Motor

### 7T-500 Common Parts Groups Repair Parts List



Item No.	Part Description	Part Number
39	Rubber Bearing	S13636
70	Splined Coupling, 8" Motor	S32704
71	Inlet Bracket for 8" Motor	H05844
84	Collet, Impeller	S05301
197	Discharge Connector, 6" NPT	L06689
199	Top Bowl and Bearing Assembly (Item No. 39)	B82482
209	Suction Screen	L07631
800	Pan Head Tapping Screw #8-15 (2 Req.)	S29885
801	Cable Guard Clamp (2 Req.)	M10191
801A	Upthrust Spacer, 1/8" Brass	M11544
801B	Upthrust Spacer, 1/16" Brass (as required)	M11295
801C	Upthrust Spacing Shim, 1/8" 416SS (as req.)	M11149
	Lock Washer, Spring (4 req.)	S23093
	Capscrew, 5/8"-11 x 2-1/2" lg. (4 req.)	S27005
	• Pop Rivet, 5/32" x 3/8" lg. (2 Req.)	M10172
	• Nameplate	M12165
	• Owner's Manual	BE215

• Not illustrated.

#### Additional Staging (Quantity: 1 each per stage)

Item Number	Part Number	Part Description
39	S13636	Rubber Bearing (included in bowl)
84	S05301	Impeller Collet
199	B82482	Intermediate Bowl**

\*\* Includes S13636 Bearing.

#### Cable Guard Length\*

Stages	Length (In.)
6	49.43
8	62.43
10	75.43

\* Sold in 12' lengths only, Part Number 308666000.

Consult owner's manual for correct assembly and adjustment procedures.

Form No. S4855BK



# Submersible Turbine Repair Parts

Section	ST
Page	170.2
Date	December 1, 2004
Supersedes NEW	

**7T-500**  
**8" Motor**

## Available Impellers\*

Description	Part Number	Size (In.)
"A" Full Trim	M11672	5.39 x 4.75
"B" 5% Trim	M11941	5.31 x 4.69
"C" 10% Trim	M11950	4.69 x 4.31

\* 25° trim angle.

## 7T-500 Impeller Specifications

Catalog Number	Horsepower	416 SS Shaft§	Primary Trims	Part Number†	Trim (In.)	Secondary Trim	Part Number	Trim (In.)
B77569	75	M11762	6	M11941	5.31 x 4.69			
B77570	100	M11764	8	M11941	5.31 x 4.69			
B77571	125	M11766	10	M11941	5.31 x 4.69			

† Key #2 – Impeller.

§ Key #6 – Pump Shaft.