

NELSON. TURF

Quality. Service. Guaranteed!

SERVICE PARTS BOOKLET

EFFECTIVE 4/1/2007

INDEX

Product Category

Page

Ordering Information	2
Pop-up Spray Sprinklers	3
Gear-Driven Sprinklers	4-7
Impact Sprinklers (Rotor Pop-Ups)	8-9
SoloRain®	10-12
EZ Pro™ Jr. Controllers	13-14
8602ER	15
EZ Pro™ Controllers	16
Rain Train® 2 Turf Traveler	17
Rain Train® Turf Traveler	18-20
Plastic Electric Valves (1", 1-1/2", 2")	21-25
Quick Coupling Valves (1")	26
Service Parts Pricing	(Refer to Service Parts Booklet - Nelson #999-00021)

Ordering Information

- I Nelson Landscape and Turf distributors can place service parts orders with:

Customer Service
One Sprinkler Lane
Peoria, IL 61615
888-NELSON-8
8:00 A.M. - 5:00 P.M. (CST)
Fax 309-692-9152

4780 Eucalyptus Ave.
Chino, CA 91710
800-800-0993
8:00 A.M. - 5:00 P.M. (PST)
Fax 909-631-5025

- I Refer to Distributor Terms (999-00020) for additional information.

Consumer Ordering Information

- I Parts orders can be placed with:

Consumer Service
One Sprinkler Lane
Peoria, IL 61615
888-NELSON-8
8:00 A.M. - 5:00 P.M. (CST)

- I Please include U.P.S. Charges:

Order Value:	U.P.S.
\$00.00 - \$10.00	\$5.00
\$10.01 - \$35.00	\$6.50
\$30.01 - \$50.00	\$8.00
\$50.01 and up	\$10.00

- I (a) VISA MasterCard
Card Number _____
Exp. Date: ____ / ____
Phone # ____ - ____ - ____

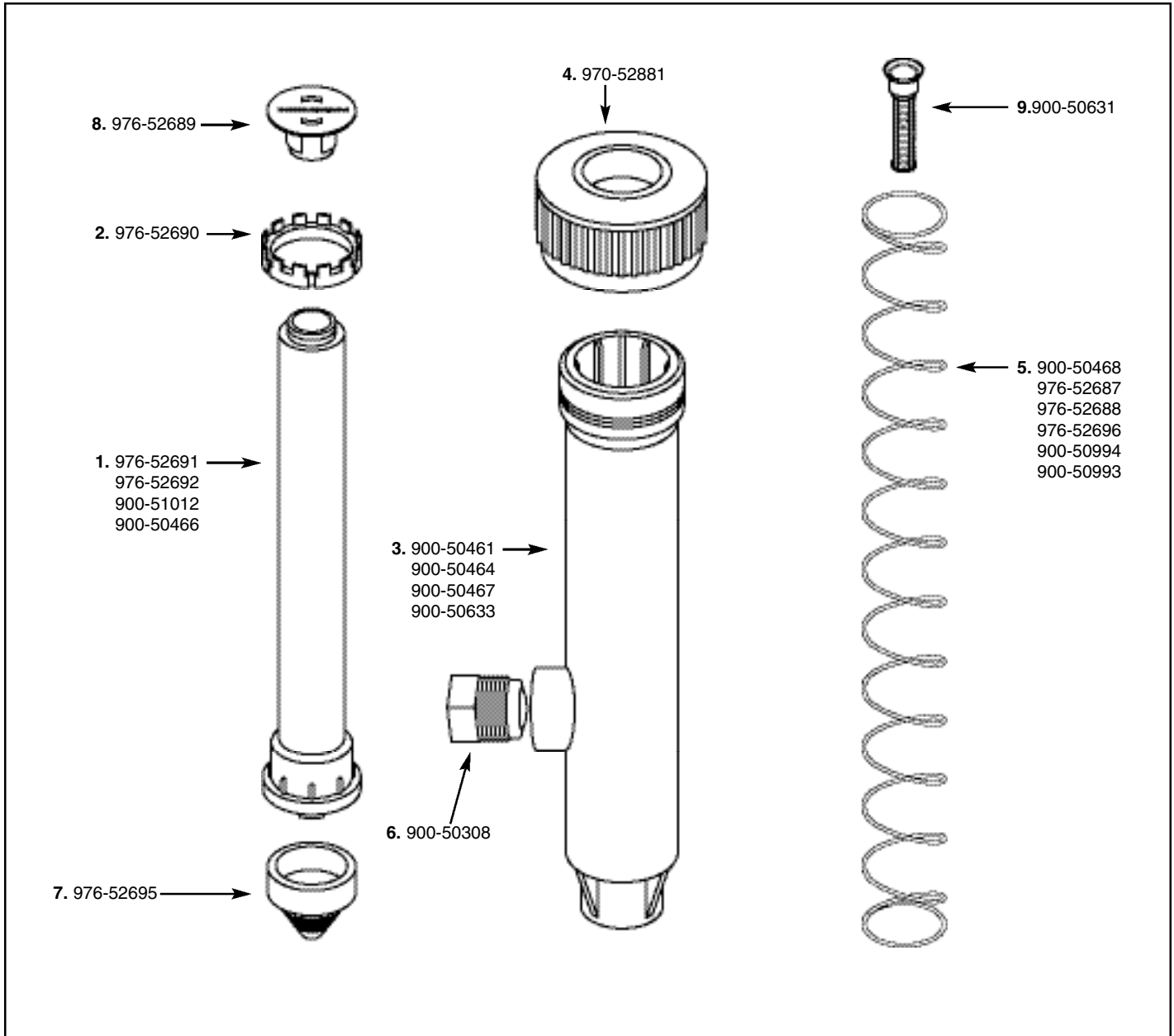
- I (b) Check or Money Orders

NELSON TURF

Pop-Up Spray Sprinklers

Models: 6302, 6304, 6306, 6312

6404-ADV, 6406-ADV, 6412-ADV

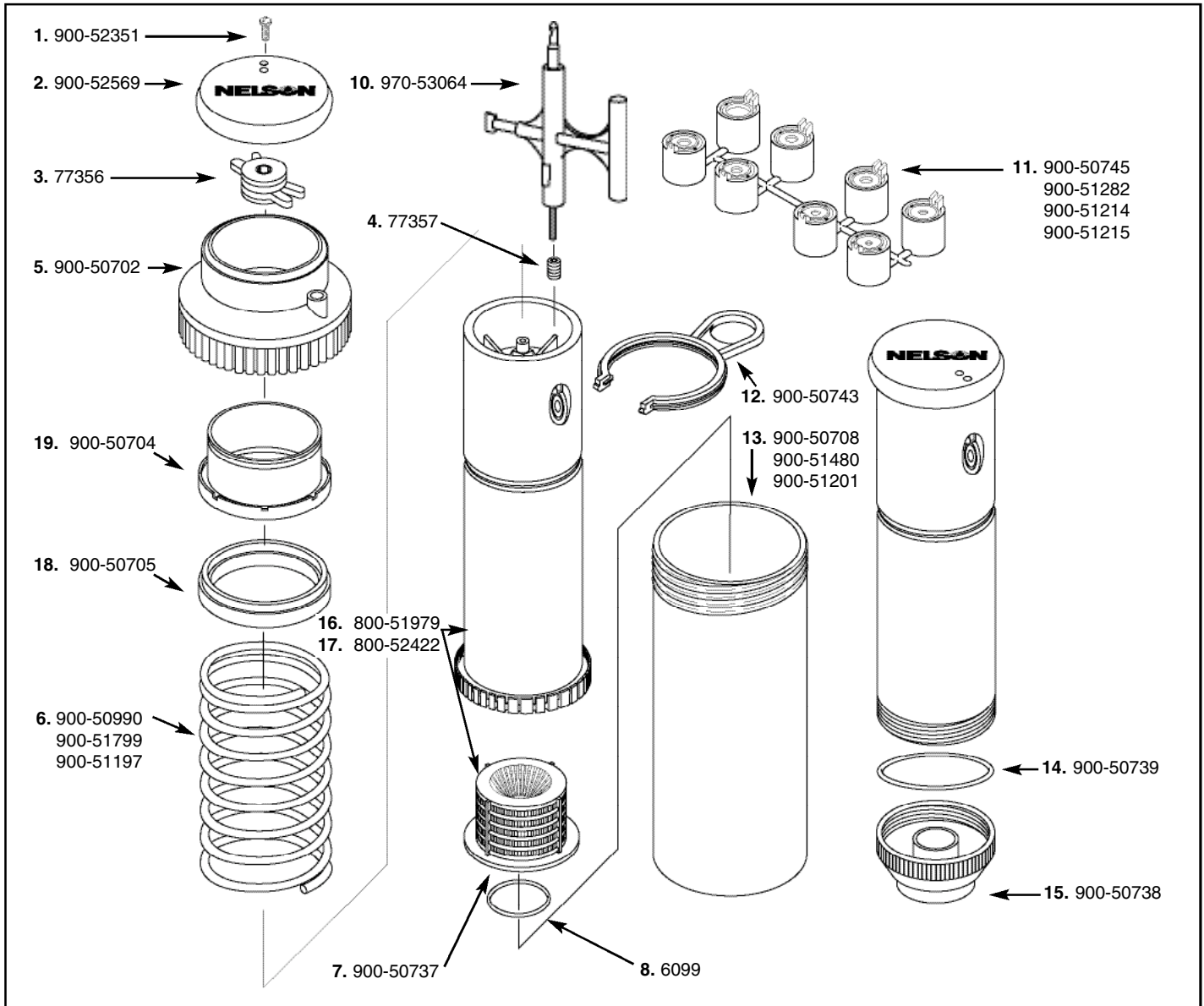


Part No.	Description	Item Nos.	Qty	Part No.	Description	Item Nos.	Qty.
976-52691	Piston 2-1/2" (6302)	1	1	976-52688	Compression Spring (6304)	5	1
976-52692	Piston 4" (6304 & 6404-ADV)	1	1	976-52687	Compression Spring (6404)	5	1
900-51012	Piston 6" (6306 & 6406-ADV)	1	1	900-50993	Compression Spring (6306)	5	1
900-50466	Piston 12" (6312 & 6412-ADV)	1	1	900-50993	Compression Spring (6406-ADV)	5	1
976-52690	Friction Collar	2	1	900-50468	Compression Spring (6312)	5	1
900-50633	Housing 2-1/2" (6302)	3	1	900-50994	Compression Spring (6412-ADV)	5	1
900-50461	Housing 4" (6304 & 6404-ADV)	3	1	900-50308	Cap Plug (6312 Only)	6	1
900-50464	Housing 6" (6306 & 6406-ADV)	3	1	976-52695	Anti Drain Valve	7	1
900-50467	Housing 12" (6312 & 6412-ADV)	3	1	976-52689	Pull-up Tool	8	1
976-52693	6300 Series Cap/Seal	4	1	900-50631	Fixed Pattern nozzle filter (white)	9	1
970-52881	6400 Series Cap/Seal	4	1	976-52696	Compression Spring (6302)	5	1

NELSON TURF

Gear-Driven Sprinklers

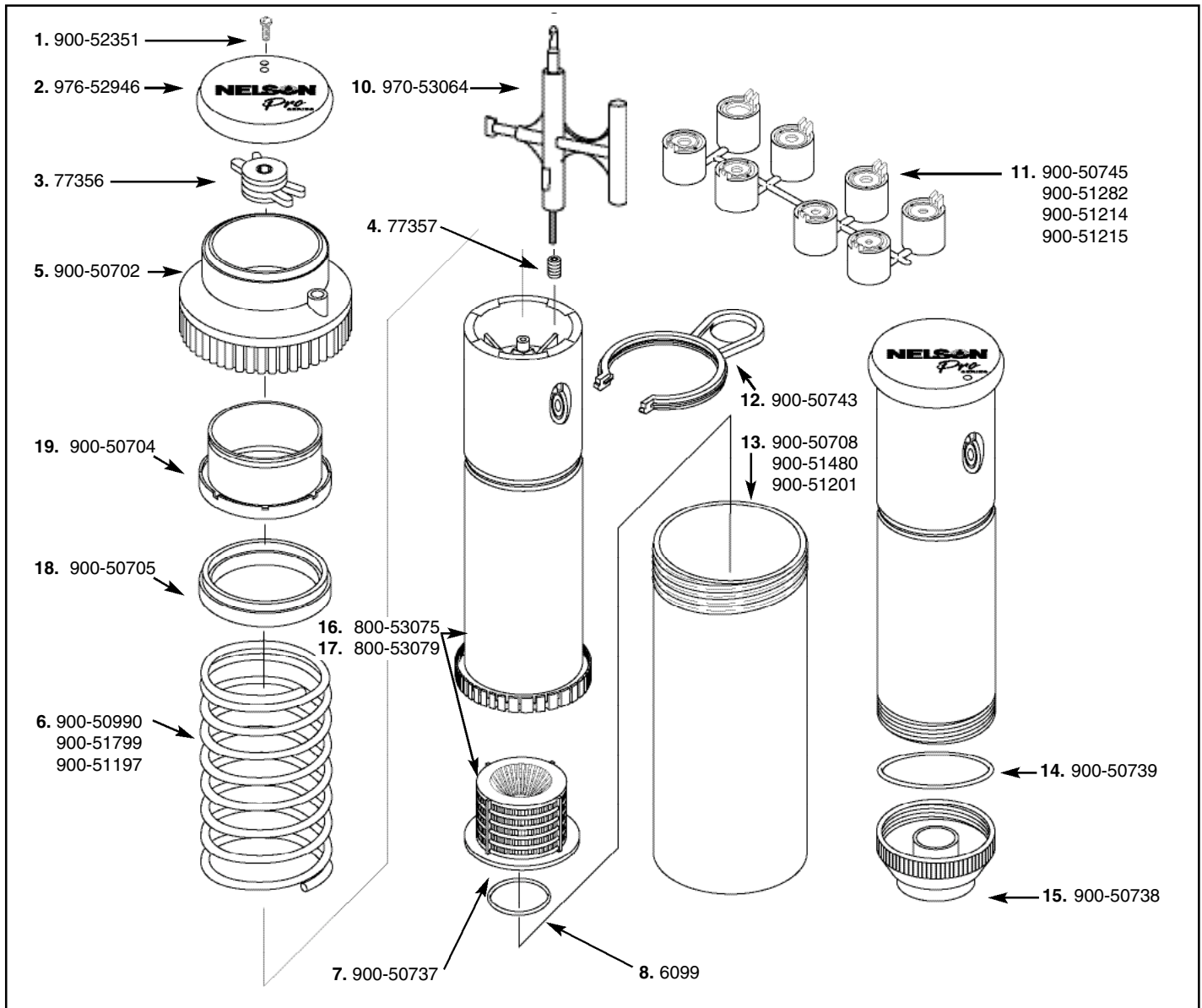
Models: 5500, 5501, 5512-ADV, 6000, 6001, 6002
6005-ADV, 6012-ADV, 6500-ADV



Part No.	Description	Item Nos.	Qty	Part No.	Description	Item Nos.	Qty.
900-52351	Locking Screw	1	1	900-51282	Nozzle Set (4) (5500,5501,5512)	11	1
900-52569	5500, 6000 and 6500 Series Protective Cap	2	1	900-51214	Nozzle Set - Low Angle (8) (6000,6001,6005,6012)	11	1
77356	Click-Set® Disc	3	1	900-51215	Nozzle Set (4) (6500, 6503, 6505)	11	1
77357	Nozzle diffuser screw (bag of 10)	4	1	900-50743	Piston Retaining Clamp	12	1
900-50702	Pop-Up Cap W/Seal	5	1	900-50708	Body Canister (5500, 6000, 6002)	13	1
900-51799	Retraction Spring (5500, 6000)	6	1	900-51201	Body Canister (5512, 6012)	13	1
900-50990	Retraction Spring (5505, 6002, 6005, 6500)	6	1	900-51480	Ribbed Body Canister (6500)	13	1
900-51197	Retraction Spring (5512, 6012)	6	1	900-50739	Riser Adapter Seal (5501-6001)	14	1
900-50737	Filter Screen	7	1	900-50738	Shrub Riser Adapter (5501-6001)	15	1
6099	Anti-Drain Valve (bag of 50)	8	1	800-51979	Drive Assembly (5500)	16	1
970-53064	Gear Drive All-In-One Wrench	10	1	800-52422	Drive Assembly (6000)	17	1
900-50745	Nozzle Set (8) (6000,6001,6005,6012)	11	1	900-50705	Spring Retainer	18	1
				900-50704	5500, 6000 & 6500 series seal	19	1

NELSON TURF

Gear-Driven Sprinklers: Pro Series (2006 and later) Models: 5500, 5501, 5512-ADV, 6000, 6001, 6002 6005-ADV, 6012-ADV, 6500-ADV

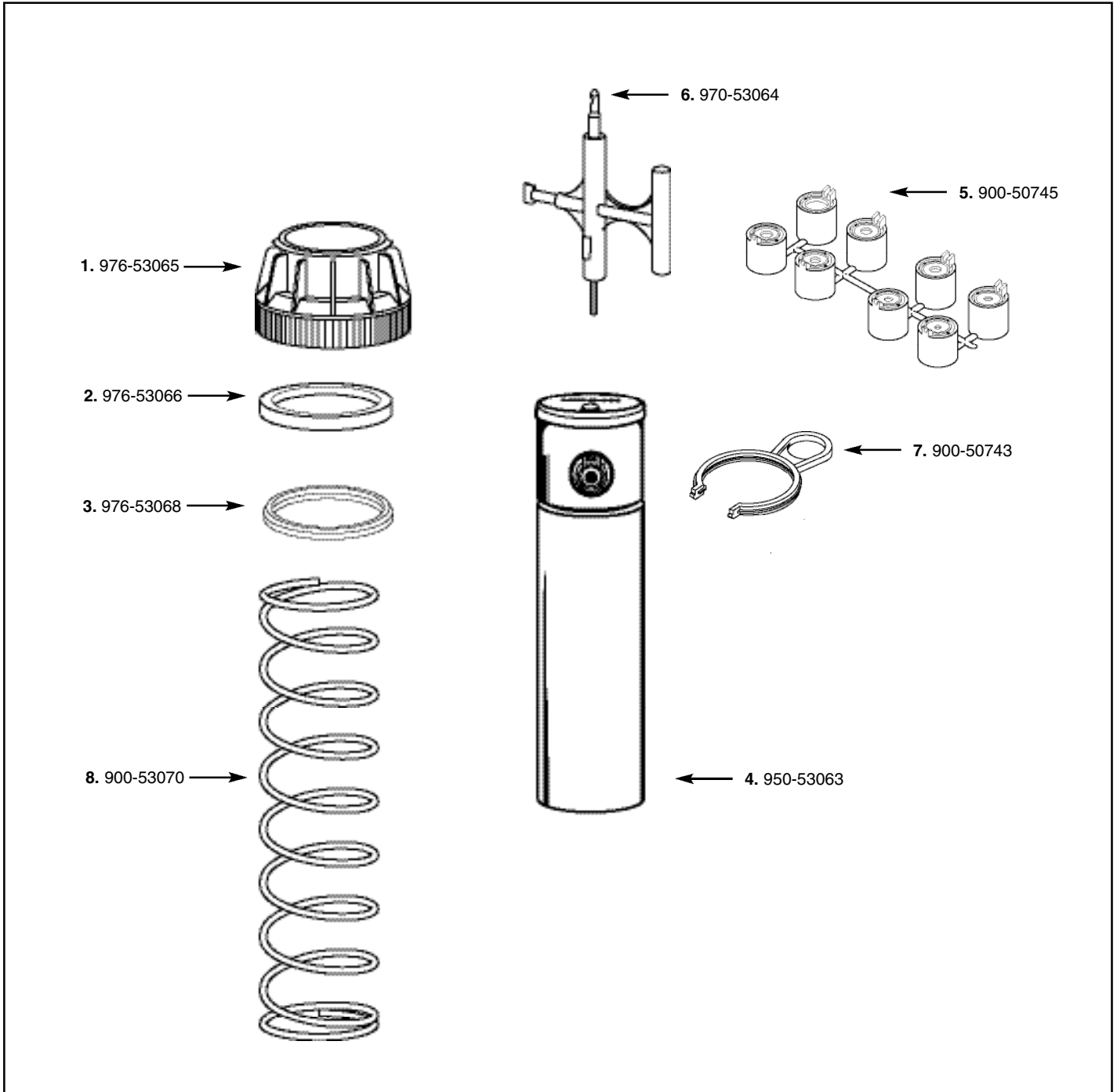


Part No.	Description	Item Nos.	Qty	Part No.	Description	Item Nos.	Qty.
900-52351	Locking Screw	1	1	900-51282	Nozzle Set (4) (5500, 5501, 5512)	11	1
976-52946	5500, 6000 and 6500 Series Protective Cap-Bayonet Style	2	1	900-51214	Nozzle Set - Low Angle (8) (6000, 6001, 6005, 6012)	11	1
77356	Click-Set® Disc	3	1	900-51215	Nozzle Set (4) (6500, 6503, 6505)	11	1
77357	Nozzle diffuser screw (bag of 10)	4	1	900-50743	Piston Retaining Clamp	12	1
900-50702	Pop-Up Cap W/Seal	5	1	900-50708	Body Canister (5500, 6000, 6002)	13	1
900-51799	Retraction Spring (5500, 6000)	6	1	900-51201	Body Canister (5512, 6012)	13	1
900-50990	Retraction Spring (5505, 6002, 6005, 6500)	6	1	900-51480	Ribbed Body Canister (6500)	13	1
900-51197	Retraction Spring (5512, 6012)	6	1	900-50739	Riser Adapter Seal (5501-6001)	14	1
900-50737	Filter Screen	7	1	900-50738	Shrub Riser Adapter (5501-6001)	15	1
6099	Anti-Drain Valve (bag of 50)	8	1	800-53075	Drive Assembly (5500)	16	1
970-53064	Gear Drive All-In-One Wrench	10	1	800-53079	Drive Assembly (6000)	17	1
900-50745	Nozzle Set (8) (6000, 6001, 6005, 6012)	11	1	900-50705	Spring Retainer	18	1
				900-50704	5500, 6000 & 6500 series seal	19	1

NELSON. TURF

Gear-Driven Sprinklers

Rotor Pop-Up Models: 6100 Pro I Series

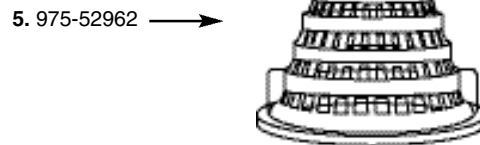
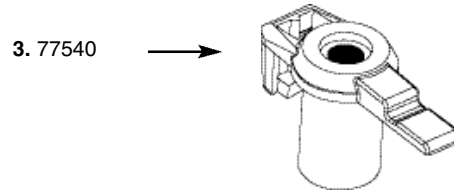
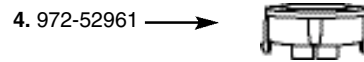
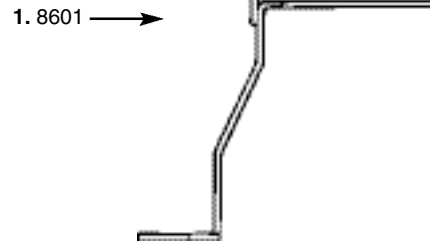
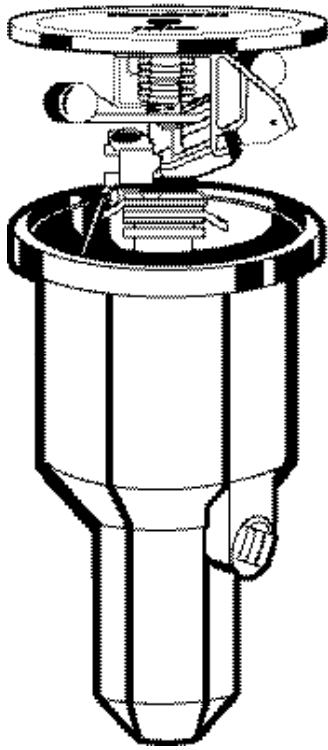


Part No.	Description	Item Nos.	Qty	Part No.	Description	Item Nos.	Qty
976-53065	Cap	1	1	900-50745	Nozzle Set	5	1
976-53066	Seal	2	1	970-53064	Gear Drive All in One Tool	6	1
976-53068	Spring Retainer	3	1	900-50743	Piston Clamp	7	1
950-53063	Drive Assembly	4	1	900-53070	Spring	8	1

NELSON. TURF

Impact Sprinklers

Rotor Pop-Up Models: 6700 Pro Impact

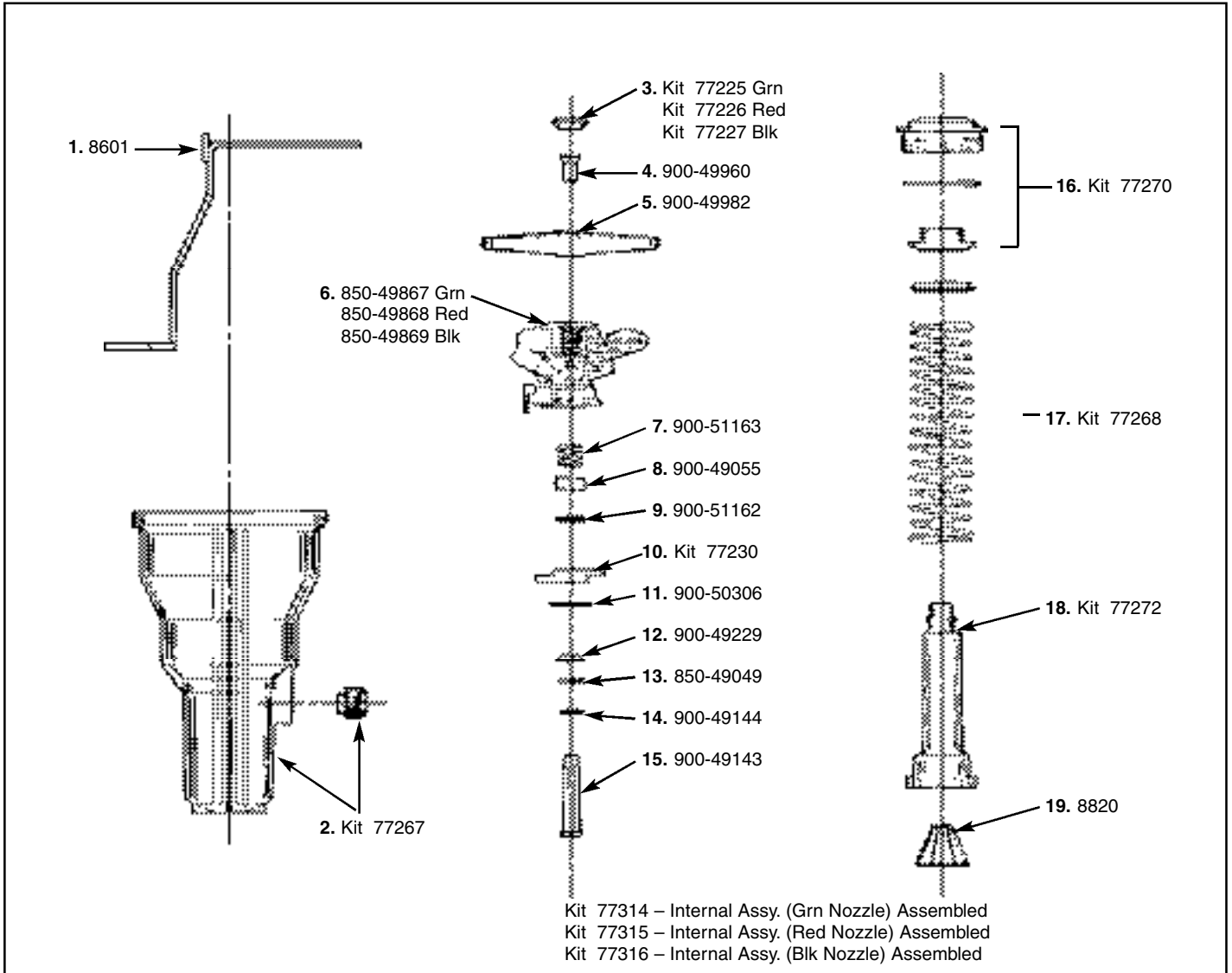


Part No.	Description	Item Nos.	Qty	Part No.	Description	Item Nos.	Qty
8601	Wrench	1	1	77540	Nozzle Kit (Set of 8)	3	1
975-52950	Lid	2	1	975-52961	Nut	4	1
975-52999	Reclaimed Water Lid	2	1	975-52962	Filter	5	1

NELSON TURF

Impact Sprinklers

Rotor Pop-Up Models: 6702, 6703, 6704

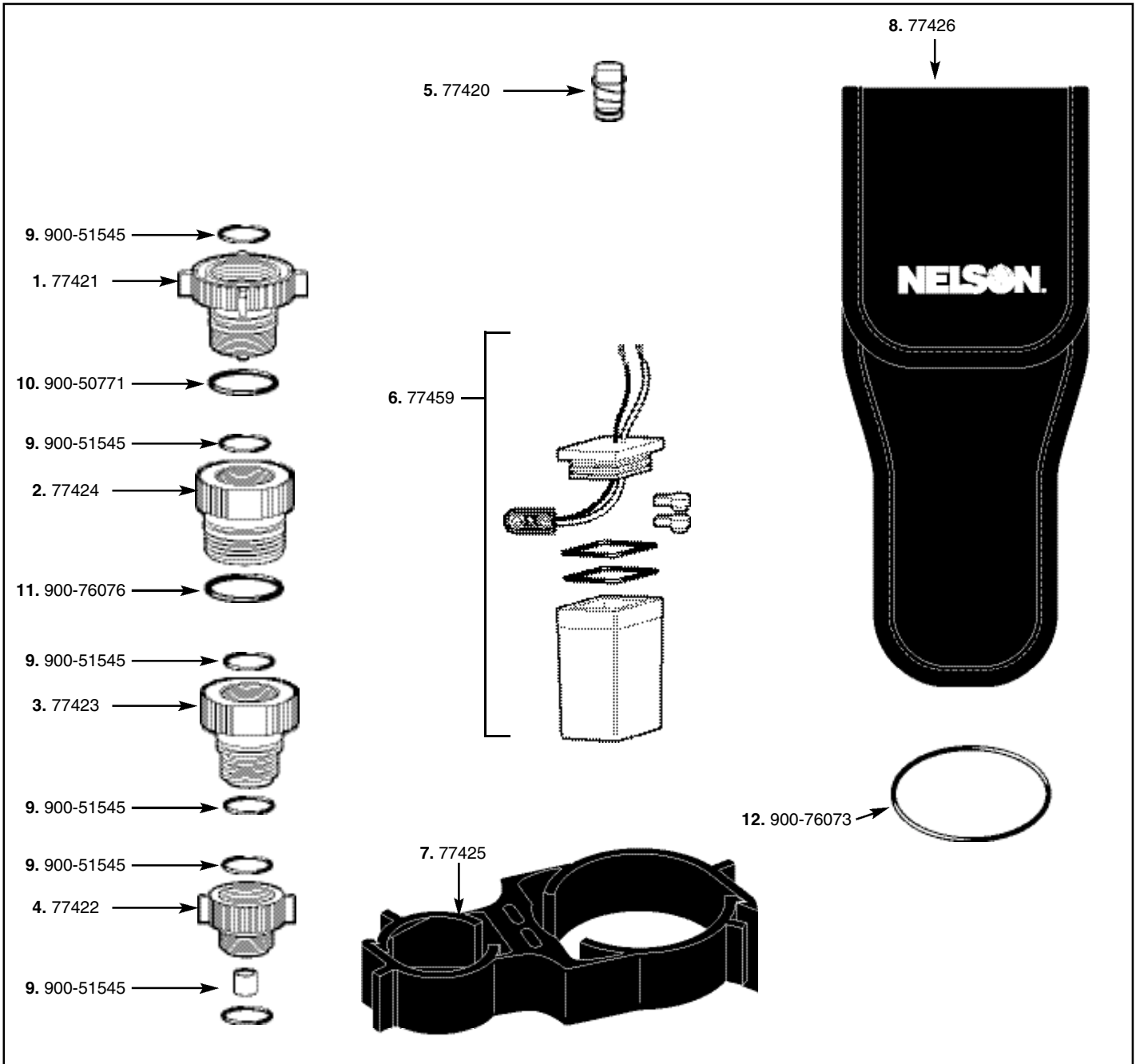


Part No.	Description	Item Nos.	Qty	Part No.	Description	Item Nos.	Qty
8601	Wrench	1	1	900-50306	Washer	11	6
77267	Housing W/Plug	2	1	900-49229	White Shoulder Washer	12	1
77225	Plug (Grn)	3	6	850-49049	Black Rubber Washer	13	1
77226	Plug (Red)	3	6	900-49144	White Rubber Washer	14	1
77227	Plug (Blk)	3	6	900-49143	Bearing Spindle	15	1
900-49960	Nut	4	1	77270	Retainer Nut, O-Ring Kit, Seal Kit	16	1
900-49982	Lid	5	1	77268	Ret./Spring Kit	17	1
850-49867	Head Assy. (Grn)	6	1	77272	Piston Kit	18	2
850-49868	Head Assy. (Red)	6	1	8820	Anti Drain Valve/Filter Screen Assy.	19	1
850-49869	Head Assy. (Black)	6	1	77314	Internal Assy. (Grn)	6-19 Assembled	
900-51163	Spring	7	1	77315	Internal Assy. (Red)	6-19 Assembled	
900-49055	Spring Hood	8	1	77316	Internal Assy. (Blk)	6-19 Assembled	
900-51162	Washer	9	1				
77230	Trip Collar Kit	10	2				

NELSON. TURF

SoloRain®

Models: 8010, 8030, 8050 Series, 8070 Series

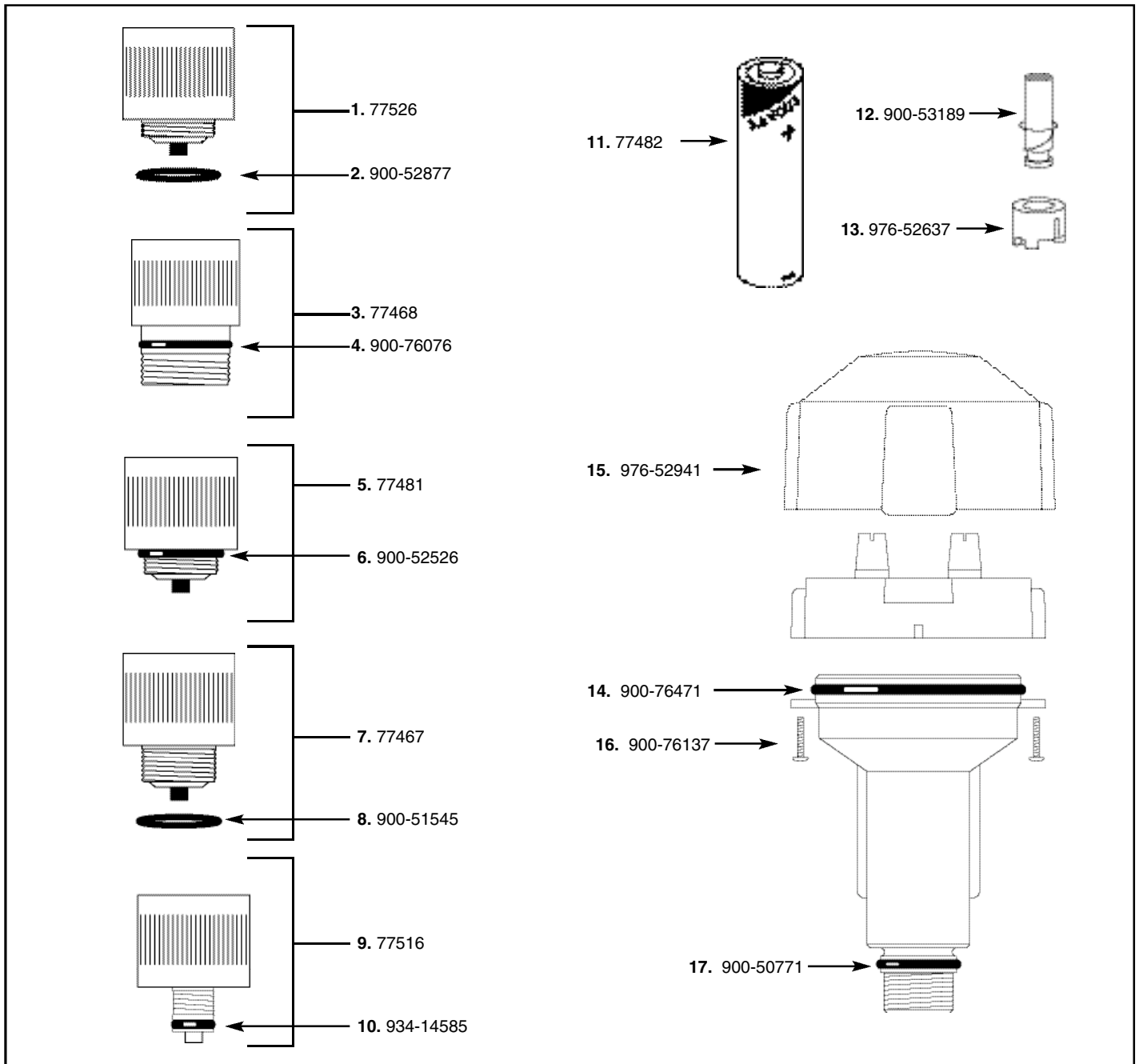


Part No.	Description	Item Nos.	Qty	Part No.	Description	Item Nos.	Qty
77421	Nelson Adapter Assembly Kit	1	1	77425	Mounting Clip for PG	7	1
77424	RB Adapter Assembly Kit	2	1	77426	Vinyl Jacket	8	1
77423	TO Adapter Assembly Kit	3	1	900-51545	O-Ring	9	1
77422	HD Adapter Assembly Kit	4	1	900-50771	O-Ring	10	1
77420	Plunger Assembly Kit	5	1	900-76076	O-Ring	11	1
77459	8010/8030 Battery case and cover replacement kit	6	1	900-76073	O-Ring	12	1

NELSON TURF

SoloRain

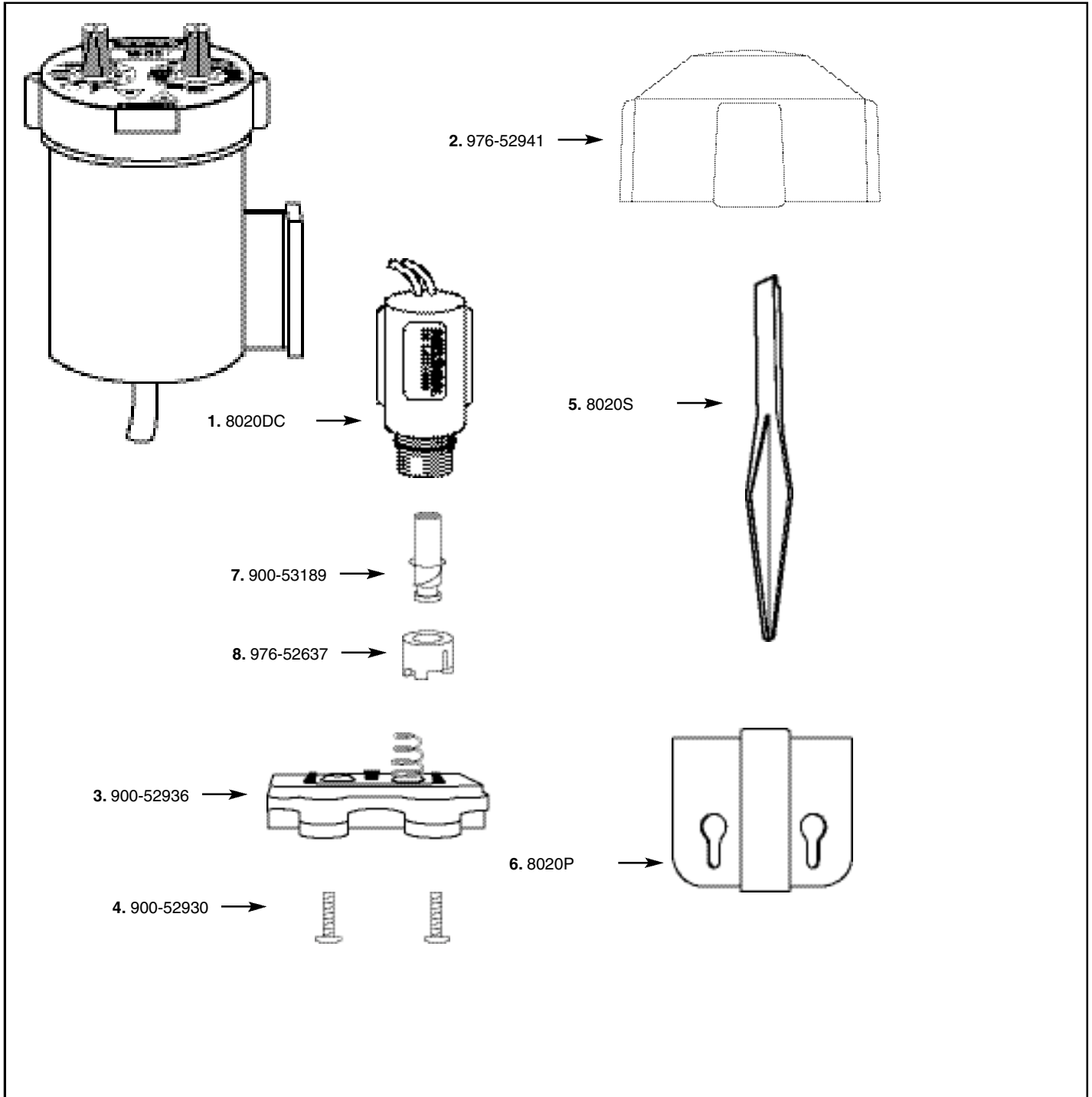
Models: 8014, 8015, 8015E, 8014SR



Part No.	Description	Item Nos.	Qty	Part No.	Description	Item Nos.	Qty
77526	Toro Adapter Assembly Kit	1	1	77482	3.6V Lithium battery Kit	11	1
900-52877	Toro adapter o-ring	2	1		(Also includes O-Ring & Gasket)		
77468	Rainbird Adapter Assembly Kit	3	1	900-53189	Plunger with spring	12	1
900-76076	Rainbird adapter o-ring	4	1	976-52637	Plunger retainer	13	1
77481	Weathermatic Adapter Assembly Kit	5	1	900-76471	Body o-ring	14	1
900-52526	Weathermatic Adapter o-ring	6	1	976-52941	Protective Cover	15	1
77467	Irritrol Adapter Assembly Kit	7	1	900-76137	Body screws	16	4
900-51545	Irritrol Adapter o-ring	8	1	900-50771	O-ring	17	1
77516	Hunter Adapter Assembly Kit	9	1				
934-14585	Hunter Adapter o-ring	10	1				

NELSON. TURF

SoloRain Models: 8020



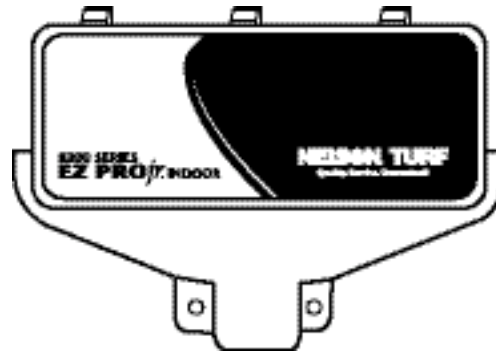
Part No.	Description	Item Nos.	Qty	Part No.	Description	Item Nos.	Qty
8020DC	DC Latching Solenoid	1	1	8020S	Mounting Stake	5	1
976-52941	Protective Cover	2	1	8020P	Mounting Plate	6	1
900-52936	Battery Cover	3	1	900-53189	Plunger with spring	7	1
900-52930	Battery Screws	4	1	976-52637	Plunger retainer	8	1

NELSON. TURF

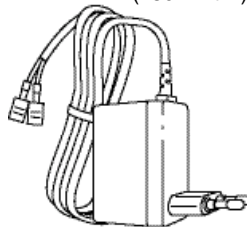
EZ Pro™ Jr. Indoor Irrigation Controller



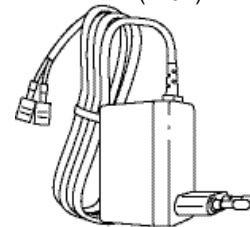
1. 976-53243



2. 976-76557
(230V Intr'l)



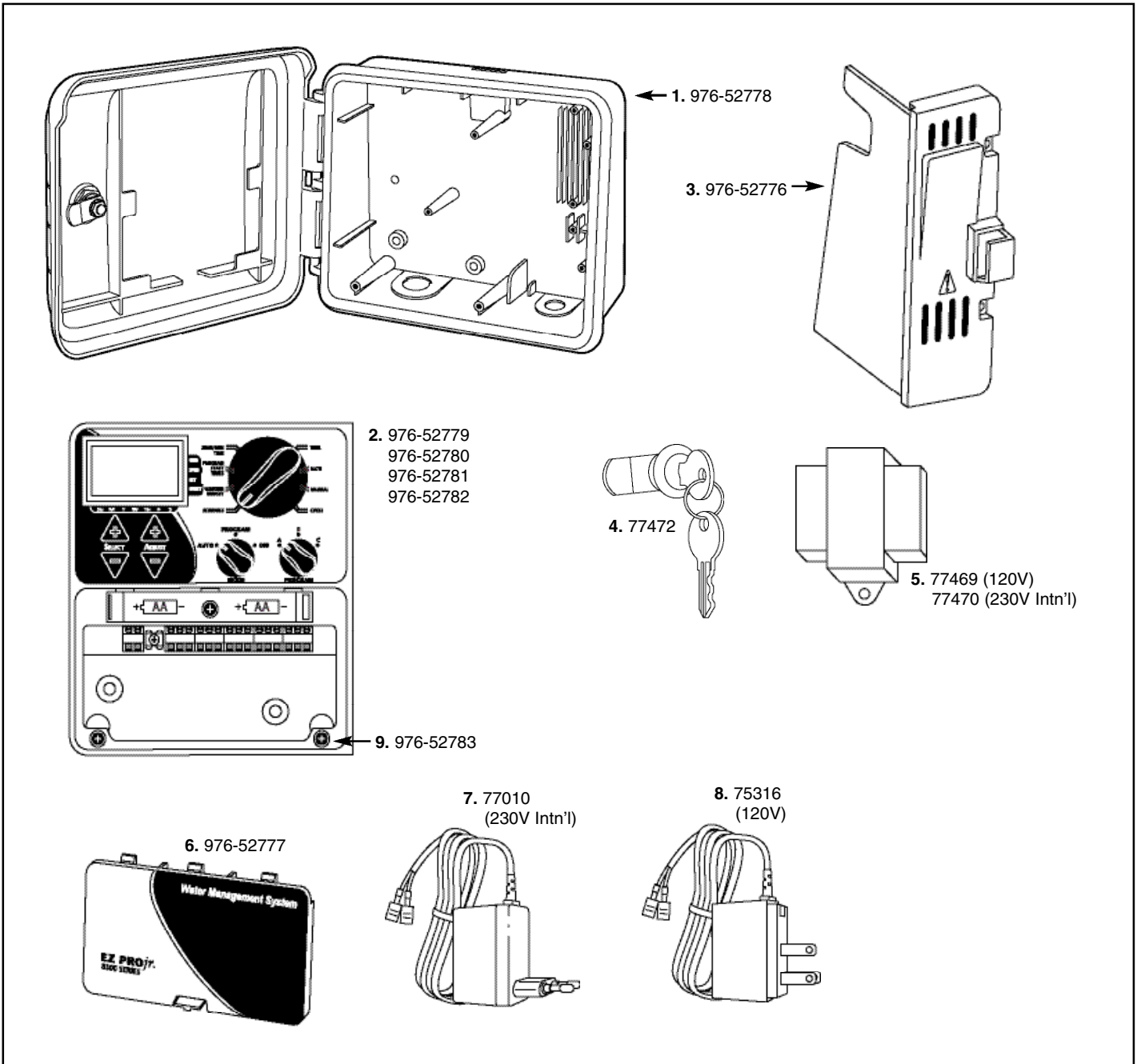
3. 976-76556
(120V)



Part No.	Description	Item Nos.	Qty	Part No.	Description	Item Nos.	Qty
976-53243	EZ Pro Jr. Indoor Terminal Cover	1	1	976-76556	120V Grounded Transformer	3	1
976-76557		230V Transformer	2				

NELSON. TURF

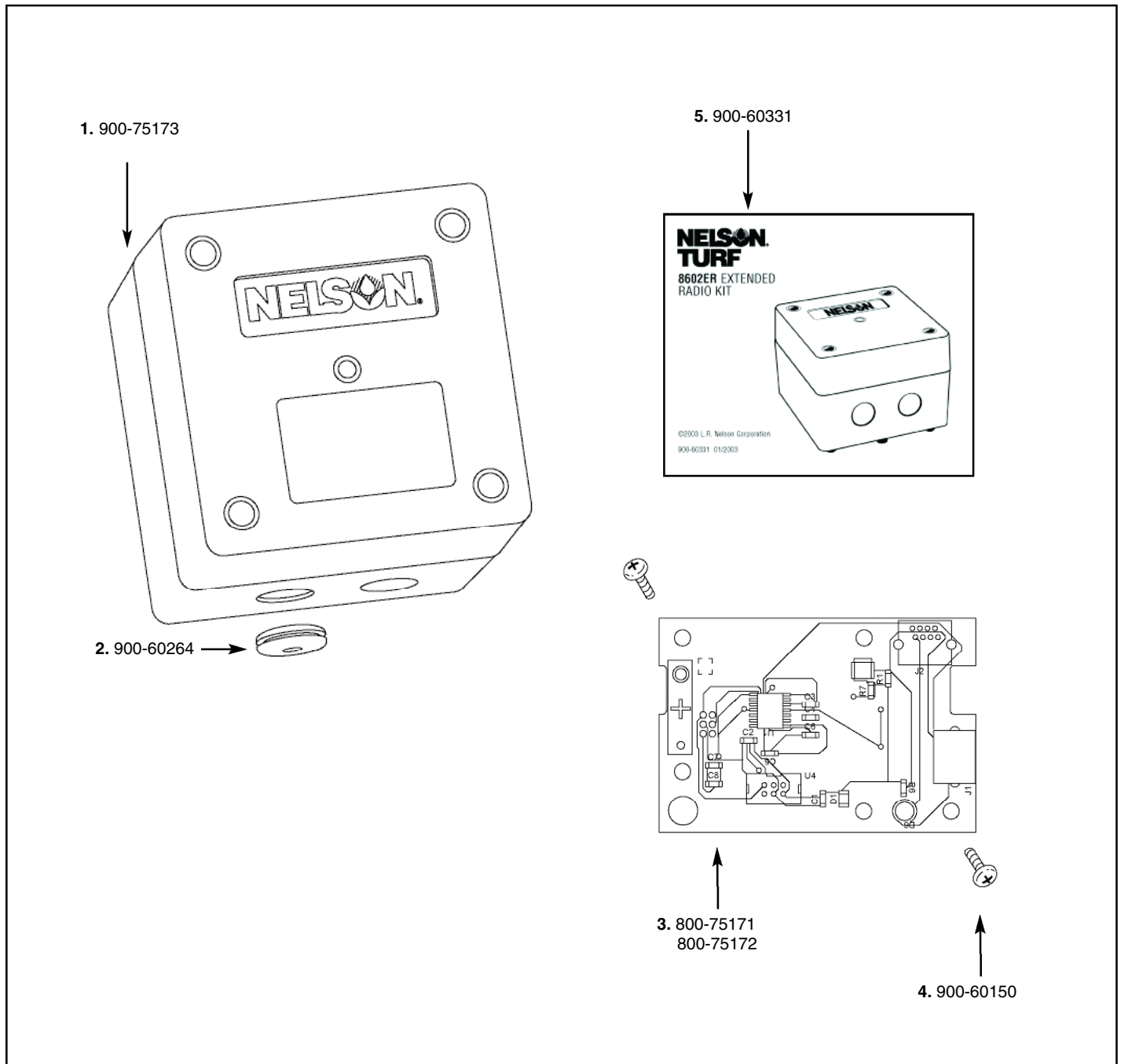
EZ Pro™ Jr. Irrigation Controller



Part No.	Description	Item Nos.	Qty	Part No.	Description	Item Nos.	Qty
976-52778	EZ Pro Jr Box Assembly	1	1	77469	EZ Pro 120V AC Transformer	5	1
976-52779	EZ Pro Jr 4 zone front panel	2	1	77470	EZ Pro 230V AC Transformer	5	1
976-52780	EZ Pro Jr 6 zone front panel	2	1	976-52777	EZ Pro Jr Terminal cover	6	1
976-52781	EZ Pro Jr 9 zone front panel	2	1	77010	230V Transformer	7	1
976-52782	EZ Pro Jr 12 zone front panel	2	1	77515	120V Grounded Transformer	8	1
976-52776	EZ Pro Jr Transformer cover	3	1	976-52783	EZ Pro Jr Front Panel screw	9	6
77472	Metal lock and key	4	1				

NELSON TURF

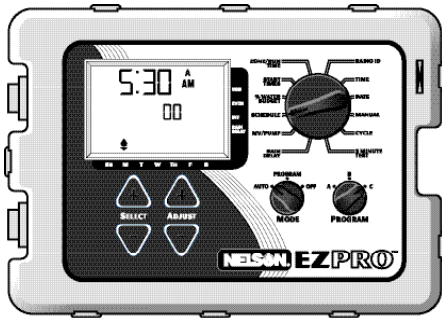
Controllers Models: 8602ER



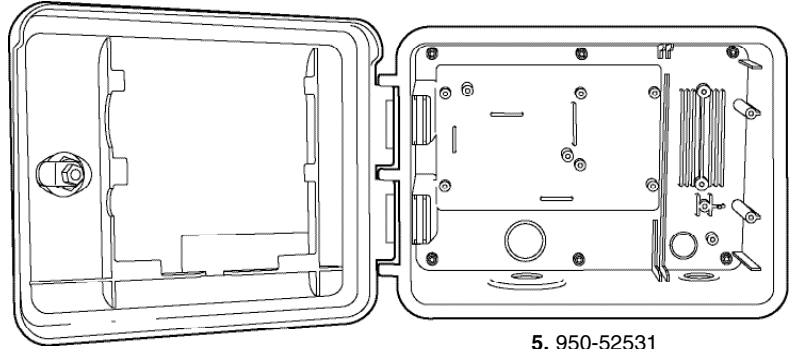
Part No.	Description	Item Nos.	Qty	Part No.	Description	Item Nos.	Qty
900-75173	Box Assembly	1	1	900-60150	Screws	4	2
900-60264	Grommet	2	1	900-60331	Instruction manual	5	1
800-75171	Remote Box PCB Assembly	3	1				
800-75172	Base PCB Assembly	3	1				

NELSON TURF

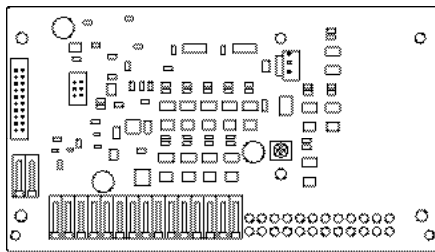
EZ Pro™ Irrigation Controller EZ Command™ Remote Programmer



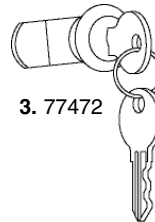
1. 77473, EZ Pro Front Panel
NOTE: Adapts to any 4 thru 24 zone interconnect board



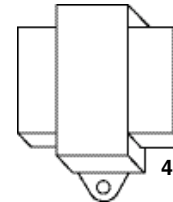
5. 950-52531



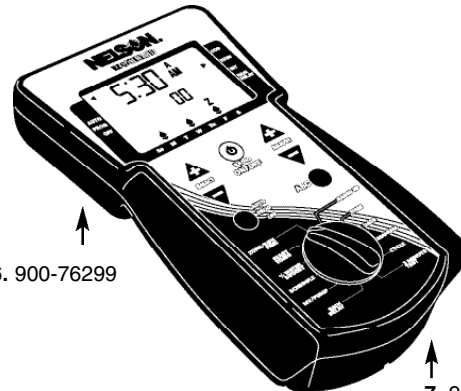
2. 77474, EZ Pro 4 Zone Interconnect Board
77475, EZ Pro 6 Zone Interconnect Board
77476, EZ Pro 8 Zone Interconnect Board
77477, EZ Pro 12 Zone Interconnect Board
77478, EZ Pro 16 Zone Interconnect Board
77479, EZ Pro 20 Zone Interconnect Board
77480, EZ Pro 24 Zone Interconnect Board



3. 77472



4. 77469 (120V)
77470 (230V Intr'l)



6. 900-76299

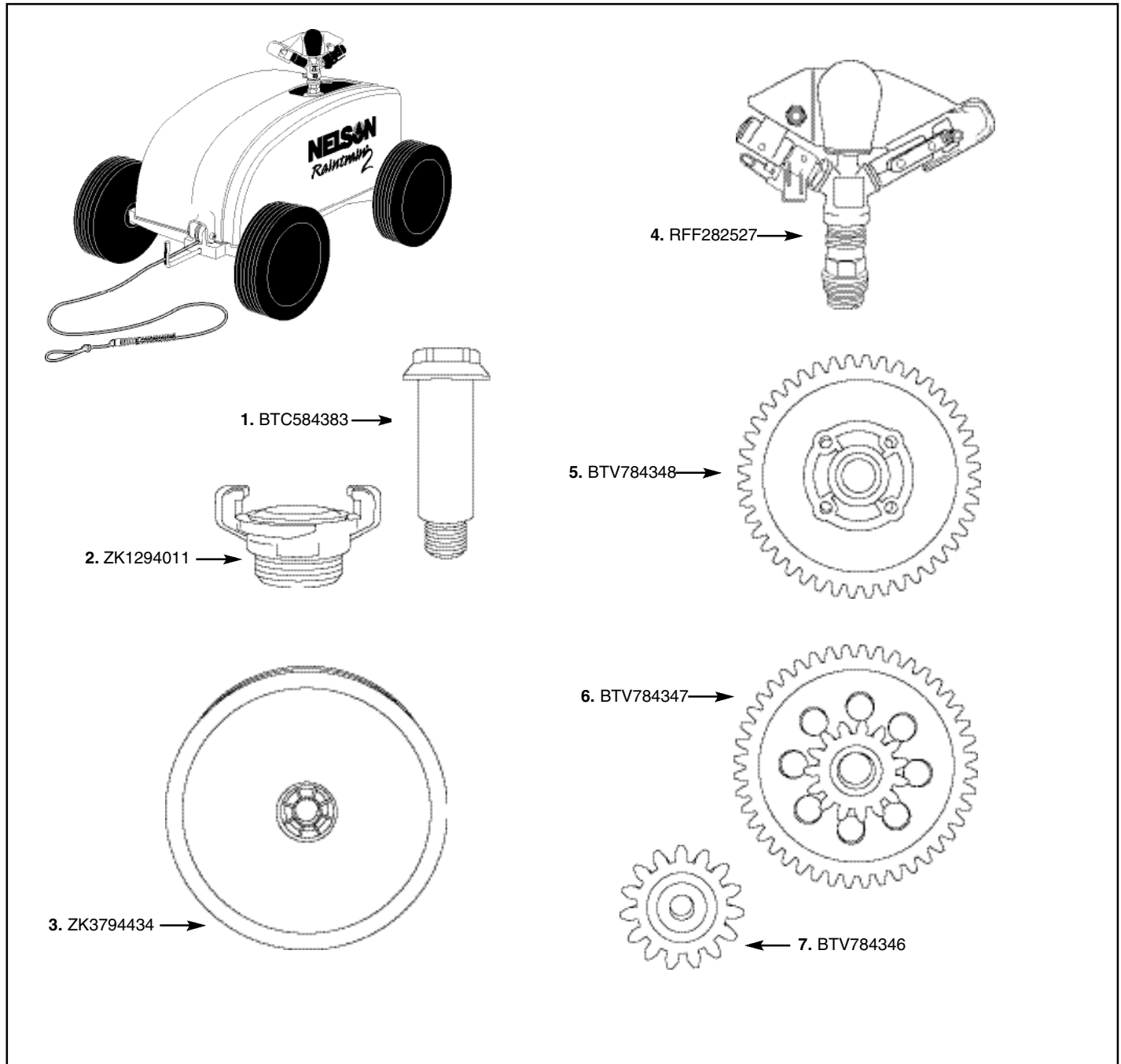
7. 900-76300

8. 900-60150

Part No.	Description	Item Nos.	Qty	Part No.	Description	Item Nos.	Qty
77473	EZ Pro front panel	1	1	77480	EZ Pro 24 Zone Interconnect Board	2	1
77474	EZ Pro 4 Zone Interconnect Board	2	1	77472	Metal lock and key	3	1
77475	EZ Pro 6 Zone Interconnect Board	2	1	77469	EZ Pro 120V AC Transformer	4	1
77476	EZ Pro 8 Zone Interconnect Board	2	1	77470	EZ Pro 230V AC Transformer	4	1
77477	EZ Pro 12 Zone Interconnect Board	2	1	950-52531	EZ Pro Box Assembly	5	1
77478	EZ Pro 16 Zone Interconnect Board	2	1	900-76299	Bottom Housing	6	1
77479	EZ Pro 20 Zone Interconnect Board	2	1	900-76300	Battery Cover	7	1
				900-60150	Screws	8	1

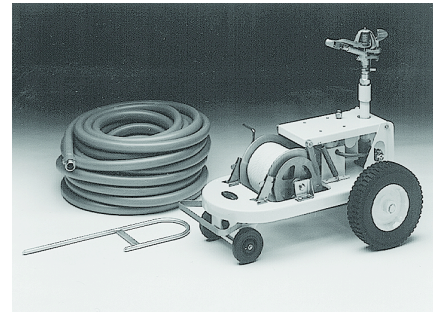
NELSON. TURF

Raintrain 2 8402



Part No.	Description	Item Nos.	Qty	Part No.	Description	Item Nos.	Qty
BTC584383	Screw Axle	1	1	BTV784348	8402 Gear 3	5	1
ZK1294011	8402 R 1" MT Geka	2	1	BTV784347	8402 Gear 2	6	1
ZK3794434	Plastic Wheel	3	1	BTV784346	8402 Gear 1	7	1
RFF282527	8402 ZE 30W-7.OMM	4	1				

8401 Rain Train® Turf Traveler Operating Instructions – Series E/G/H



Operating Instructions Rain Train 400 Series “E”, “G”, “H”

To Set:

- (1) Determine the starting and stopping locations of the Rain Train such that the cable will lay in a straight line along the required travel path for the coverage desired. Be sure that the hose length will reach to both locations and that there are no obstacles to interfere with the required movement of the hose. The maximum travel distance is obtainable when the water supply outlet is near the center of the length of area to be sprinkled.
- (2) Connect hose to water supply and lay it out to the travel path and then along the side of the travel path back to the starting location of the Rain Train.
- (3) Place the Rain Train in the starting location and connect to end of hose.
- (4) Push in on the “ON-OFF Bumper” to close the shut-off valve.
- (5) Pull out on the “Drum Release Knob” (located on the right side of the cable drum) and turn slightly to hold release.
- (6) Unwind the cable from the drum and lay cable along the travel path by walking with the cable tow handle to the stopping location. Be sure the stopping location is not beyond the point that the hose length will reach.
- (7) Put the long end of the stake through the ring end of the cable tow handle and push the stake into the ground to the depth of the foot bar on the stake. The short end of the stake should be toward the direction of pull.

To Start Operation:

- (1) Turn on the water at the hose supply outlet.
- (2) Turn the “Drum Release Knob” to engage pin into the drive wheel.
- (3) Turn the “Drum Hand Crank” until lock plunger engages in the drum.
- (4) Rewind any slack cable onto the drum with the “Drum Hand Crank”.
- (5) Hold the sprinkler arm and stand aside of the discharge stream.
- (6) Turn on by pulling out the “ON-OFF” Bumper.

To Stop Operation:

- (1) The Rain Train is automatically shut off at the end of travel by the stake depressing the “ON-OFF Bumper” to close the valve.
- (2) To manually stop at any time, push in on the “ON-OFF Bumper”.

Adjustments

Travel Rate:

Turn the “Speed Control Valve” (#26871) (located to the left side of the shut-off valve) out (counterclockwise) to increase speed, and in (clockwise) to decrease speed.

Drum Friction:

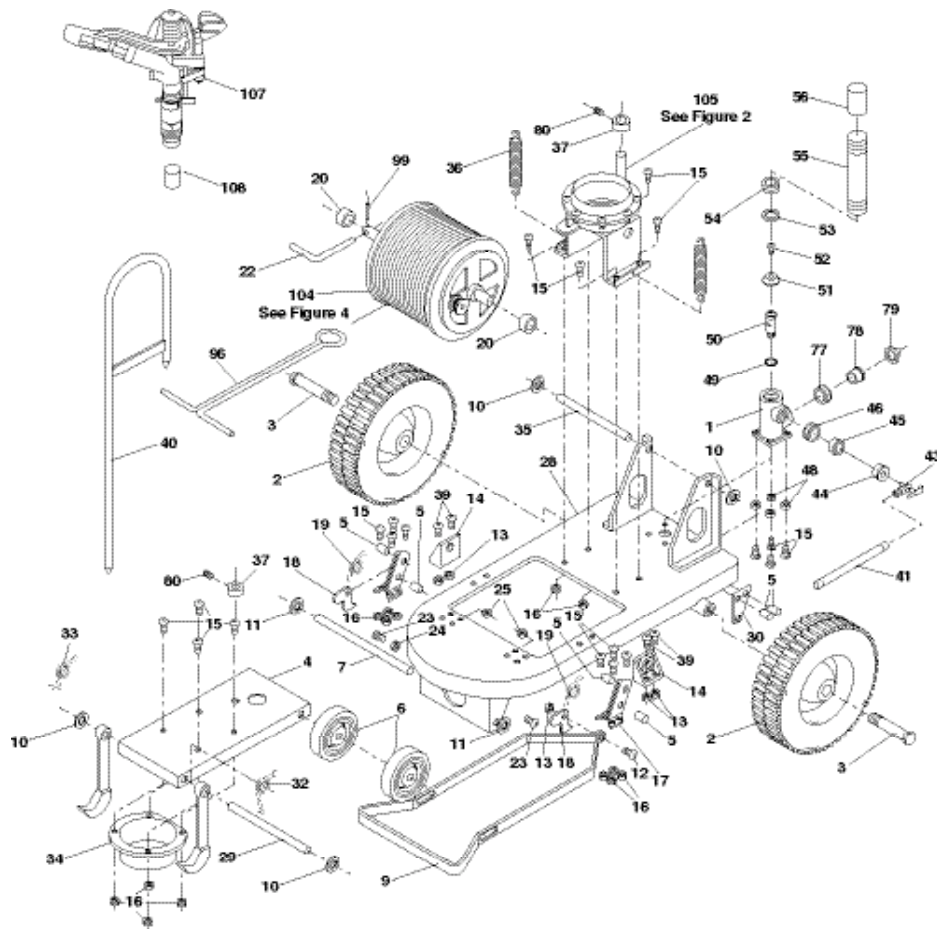
If the drum turns too freely, allowing the cable to slack as it is payed from the drum, tighten the “Drum Friction-Adjusting Screw” (#25604) to increase the spring force on the friction plunger against the drum.

Pawl Engagement:

The “Pawl Engagement Adjusting Collars” (#49271) located on the control shaft (#26724) determine the travel distance of the driving pawls. This is factory set to engage three notches and will seldom need adjustment. If the pawls become worn and an adjustment is needed, simply loosen the set screw and position the adjusting collars such that the pawls will properly engage three teeth per cycle. Be sure the lower adjusting collar is positioned high enough on the control shaft so that as the lid is returned to horizontal position it contacts the adjusting collar thus causing the valve to trip just before the lid comes to rest against the upper diaphragm support (#25894).

If the bottom collar is moved the top adjusting collar must also be adjusted. While the unit is operating under load (pressure with hand can be applied to crank handle of the cable drum) check for engagement of the pawls (#25441) so that they engage not more than three teeth on the drive wheels (#25571 and #25581).

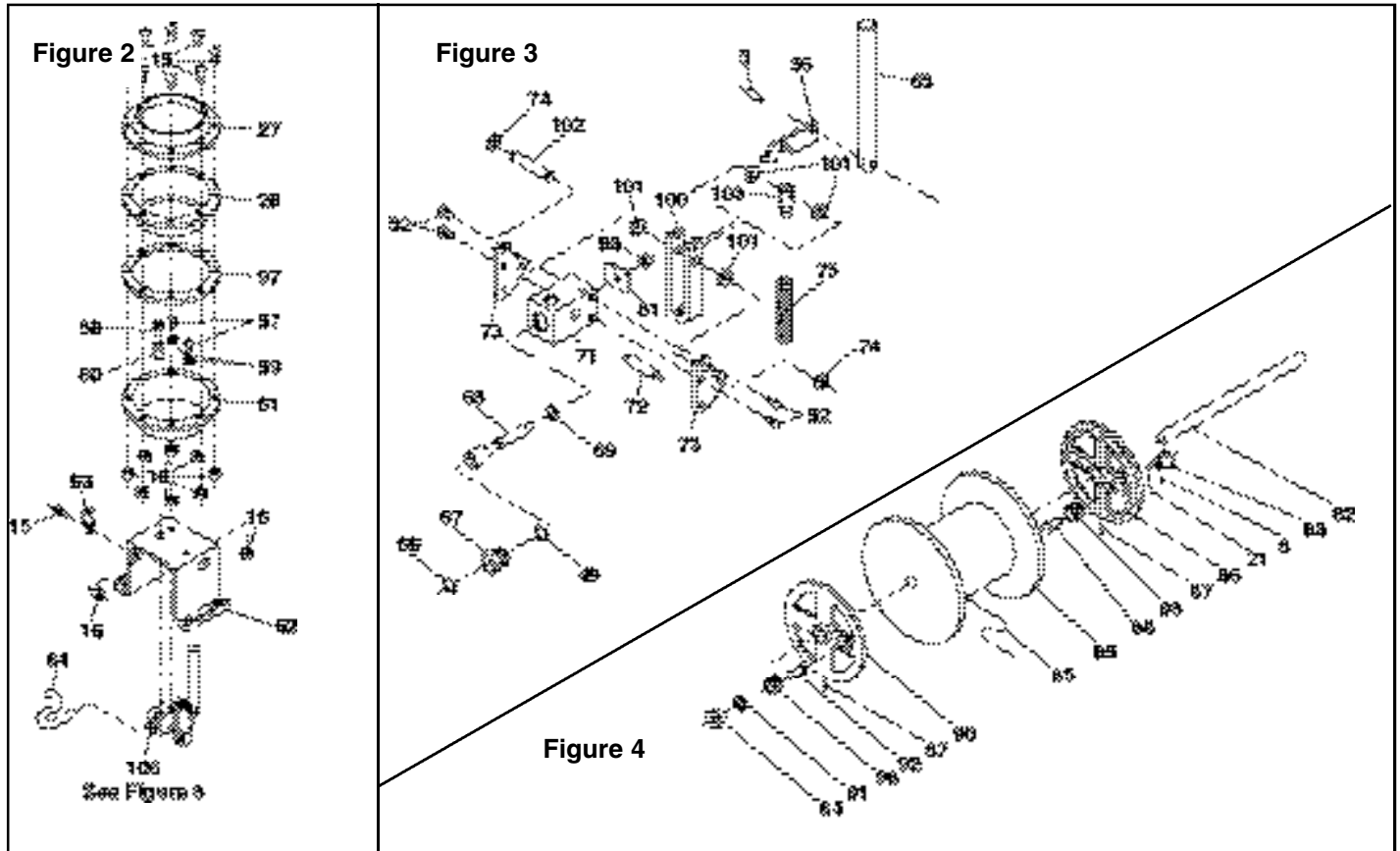
The top collar must not allow the lid to raise higher than to allow the diaphragm to be exposed more than 1/4" to 1/2" above upper diaphragm support (#25894) edge and piston cup (#25484), when viewed from the front of the unit and with the diaphragm completely filled. If it is allowed to go higher the diaphragm may rupture prematurely. Even if the pawls will not engage three teeth on the drive wheels do not allow the lid to go higher than stated above.



Item No.	Description	Part No.	Qty	Item No.	Description	Part No.	Qty
1	Shut-Off Valve Body	934-27131	1	36	Lid Return Spring	935-25904	2
2	Rear Wheel	935-25715	2	37	Adjusting Collar	900-49271	2
3	Rear Axle Bolt	931-25724	2	39	Screw	945-27144	4
4	Lid	800-51410	1	40	Stake	943-25964	1
5	Roll Pin	935-26994	6	41	Hose Assembly	480-49075	1
6	Front Wheel	950-25685	2	43	Speed Control	935-26871	1
7	Axle (Front Wheel)	941-26784	1	44	Male End	911-27061	1
9	Bumper	800-26674	1	45	Shank	911-40441	1
10	Pushnut	945-26884	2	46	K-Nut	900-37110	1
11	Pushnut	945-43284	2	48	Lock Washer	935-26914	4
12	Bolt	945-26144	1	49	O-Ring	934-20825	1
13	Locknut	945-26044	5	50	Valve Stem	931-26751	1
14	Drum Support Bracket	942-25834	2	51	Stem Cap	931-26761	1
15	Screw	945-25464	16	52	Retainer Screw	935-30314	4
16	Nut	945-25474	12	53	Washer	934-26855	1
17	Anti-Reverse Bracket	942-25794	2	54	Washer Retainer	911-27051	1
18	Anti-Reverse Dog	942-25814	2	55	Riser	800-51408	1
19	Dog Spring	935-26174	2	56	Riser Coupling	800-51409	1
20	Drive Wheel Spacer	941-25824	2	77	Nut	911-00611	1
22	Crank	942-25844	1	78	Valve Shank	911-25411	1
23	Cam Screw	935-41684	2	79	1" Filter Washer	935-26069	1
24	Washer	979-26832	2	80	Set Screw	900-49272	2
25	Locknut	935-26964	2	96	Tow Handle	943-26284	1
28	Frame	800-51407	1	99	Pin	945-26244	1
29	Lid Axle (Front)	941-26774	1	104	Drum and Cable Assembly	480-25510	1
30	Shut-Off Valve Link	942-26684	1	105	Diaphragm Support		
32	Pawl Spring (Left)	935-26154	1		Bracket Assembly	850-27240	1
33	Pawl Spring (Right)	935-26164	1	107	Replacement Head	RFF282527	
34	Piston Cup	942-25484	1	108	Adapter for Impact Head	976-53105	
35	Lid Axle (Rear)	941-26794	1				

NELSON TURF

Rain Train® Turf Traveler Model: 8401



Item No.	Description	Part No.	Qty	Item No.	Description	Part No.	Qty
5	Roll Pin	935-26994	2	73	Side Plate	932-26614	2
8	Pin	945-26254	1	74	E Ring	935-26984	2
15	Screw	945-25464	16	75	Trip Spring W/Washer	850-27330	1
16	Nut	945-25474	12	81	Trip Plate	932-26604	1
21	Pin	945-25664	1	82	Drum Axle*	941-25564	1
26	Diaphragm	932-25885	1	83	Knob	941-26264	1
27	Upper Diaphragm Support	942-25894	1	84	Friction Adj. Screw	941-25604	1
49	O-Ring	934-20825	1	85	Cable	935-25649	1
52	Retainer Screw	935-30314	4	86	Drive Wheel (Right)	934-25571	1
56	Stop Arm	480-26620	1	87	Pin*	945-26534	2
57	Screw	935-26904	2	88	Lock Plunger	931-26274	1
58	Diaphragm Screw	931-26694	1	89	Drum	942-25524	1
59	Rolled Washer	979-26802	2	90	Drive Wheel (Left)*	934-25581	1
60	Headed Sleeve	979-26812	1	91	Lock Nut	941-25614	1
61	Lower Diaphragm Support	942-26594	1	92	Friction Plunger	979-25591	1
62	Diaphragm Support Brkt.	800-51396	1	93	Lock Nut	935-26944	1
63	Tube Clamp	945-27004	1	97	Gasket	932-26316	1
64	Exhaust Tube Assembly	850-27260	1	98	Compression Spring	935-26304	2
65	Control Shaft	931-26724	1	100	Trip Arm	480-27170	1
66	O-Ring	934-14585	1	101	Spacer Washer	979-26822	4
67	End Plug	911-27041	1	102	Pin	931-26744	1
68	Valve Stem Assembly	480-27160	1	103	Spring Arm	480-27180	1
69	O-Ring	934-34945	1	106	Tripping Valve Assembly	850-27250	1
71	Valve Body (Tripping)	931-27101	1				
72	Stop Pin	931-26714	1				

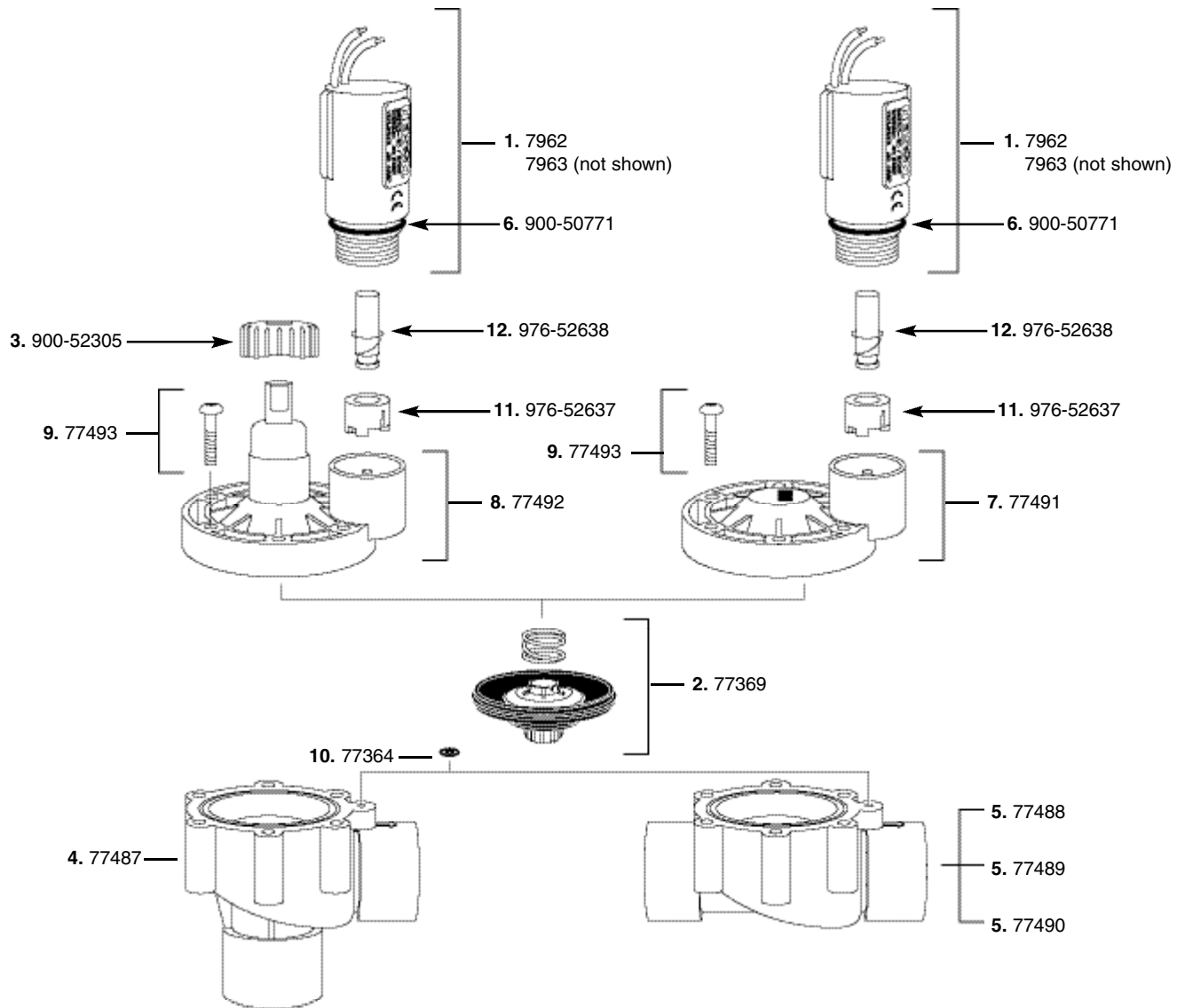
* The drum axle (#25564) and the left drive wheel (#25581) require drilling of a 3/16" hole after assembly for insertion of the pin (#26534).

NELSON. TURF

1" PVC Electric Valve

Model 9001, 9002, 9005, 9011, 9012, 9015

(BSP Models 9003, 9013)

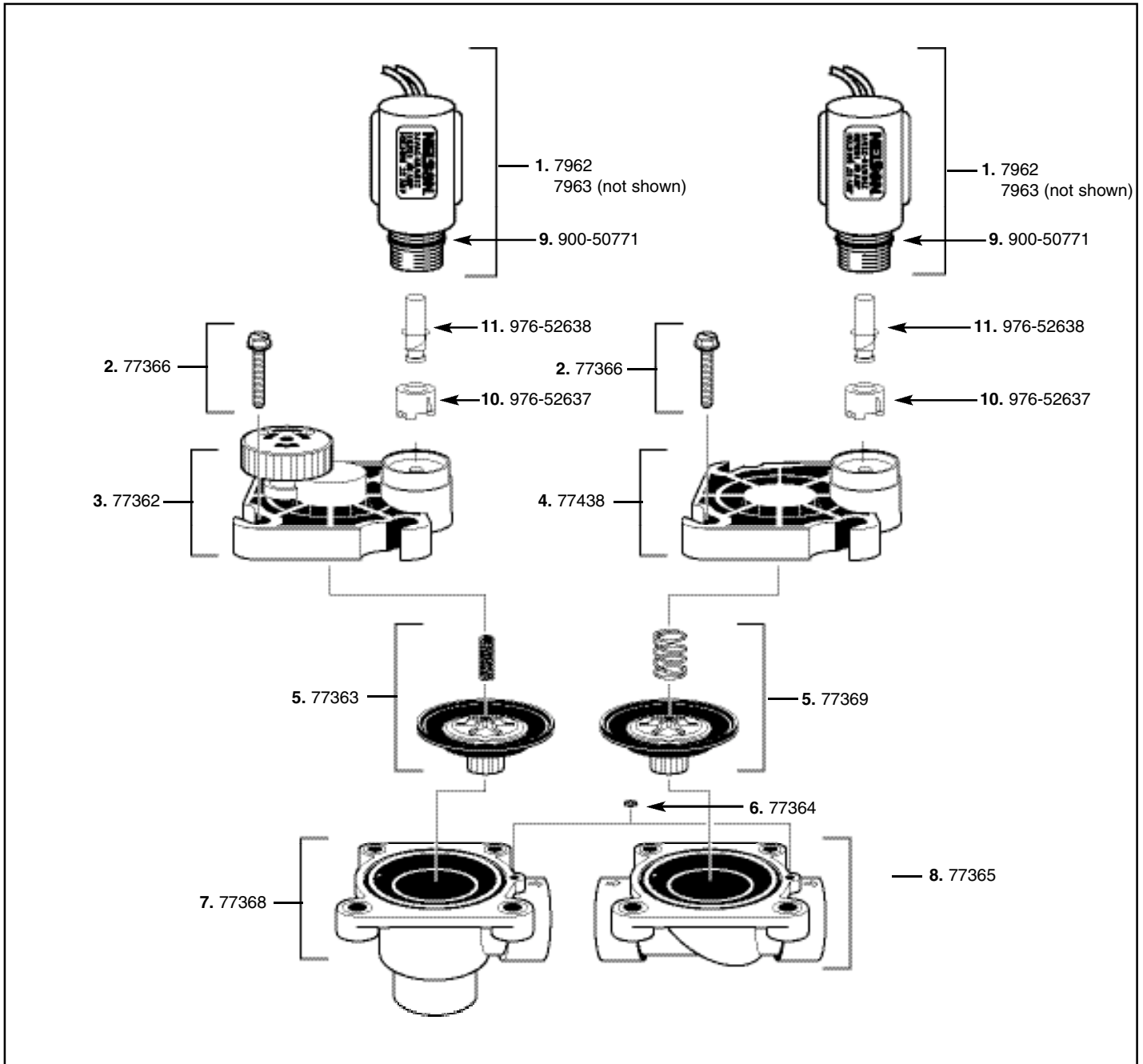


Part No.	Description	Item Nos.	Qty	Part No.	Description	Item Nos.	Qty
7962	Solenoid (Standard 24V)	1	1	900-50771	O-Ring	6	1
7963	Solenoid (115V)	1	1	77491	9000 Valve Bonnet	7	1
77369	Diaphragm Assembly	2	1	77492	9000 Valve bonnet with F/C stem	8	1
900-52305	F/C Knob	3	1	77493	9000 Valve self-tapping screws	9	6
77487	9000 Valve NPT angle body	4	1	77364	Body O-ring	10	1
77488	9000 Valve Slip body	5	1	976-52637	7962 Plunger retainer	11	1
77489	9000 Valve NPT body	5	1	976-52638	7962 Plunger with spring	12	1
77490	9000 Valve BSP body	5	1				

NELSON TURF

1" Heavy Duty Electric Valves

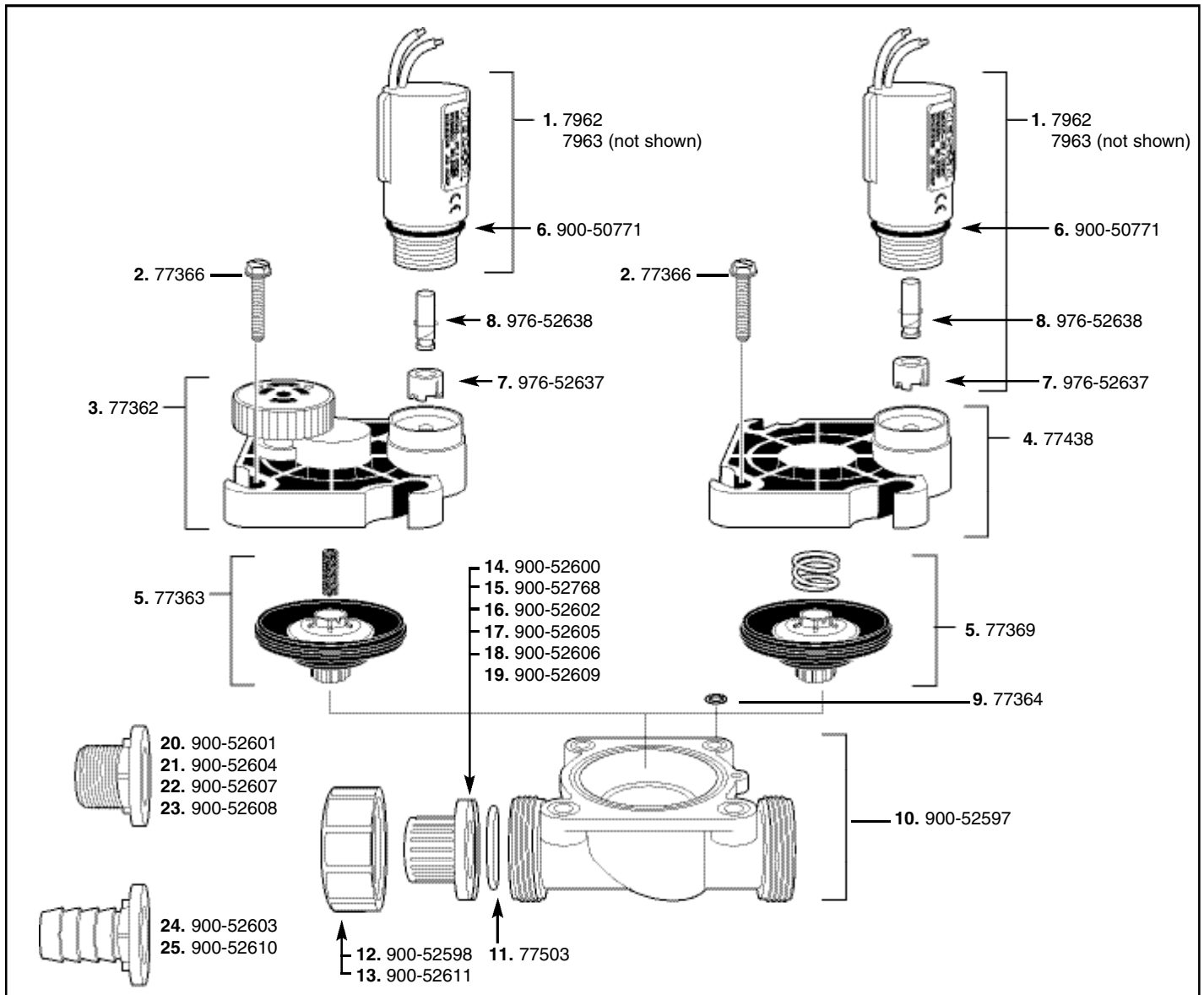
Models 7901, 7911, 7931, 7941 (BSP Models 7916, 7917)



Part No.	Description	Item Nos.	Qty	Part No.	Description	Item Nos.	Qty
7962	Solenoid (Standard 24V)	1	1	77363	Diaphragm & Spring (7911, 7917, 7931)	5	1
7963	Solenoid (115V) & Bleed Collar	1	1	77369	Diaphragm & Spring (7901, 7916, 7941)	5	1
77366	Bolts (bag of 4)	2	1	77364	Body O-Ring	6	1
77362	Bonnet Assembly	3	1	77368	1" Angle Body	7	1
77438	Non-Bonnet Assembly	4	1	77365	1" Globe Body	8	1
				900-50771	O-ring	9	1
				976-52637	7962 Plunger retainer	10	1
				976-52638	7962 Plunger with spring	11	1

NELSON TURF

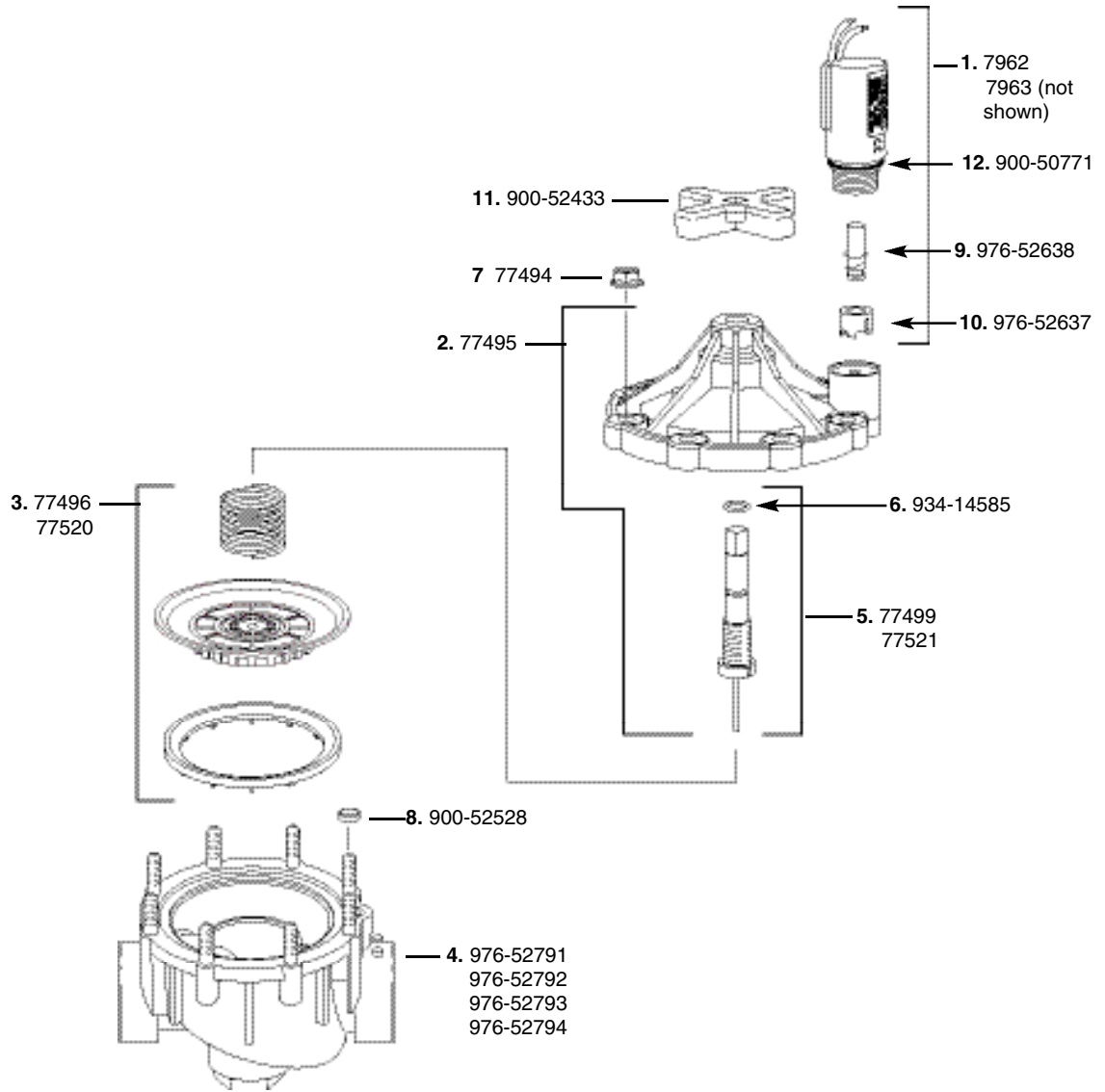
1" Heavy Duty Electric Valve Model 9501 Series



Part No.	Description	Item Nos.	Qty	Part No.	Description	Item Nos.	Qty
7962	Solenoid (Standard 24V)	1	1	900-52598	Coupling Nut	12	1
7963	Solenoid (115V) & Bleed Collar	1	1	900-52611	Lavender Coupling Nut	13	1
77366	Bolts (bag of 4)	2	1	900-52600	3/4" NPT female fitting	14	1
77362	Bonnet Assembly	3	1	900-52768	3/4" BSP female fitting	15	1
77438	Non-Bonnet Assembly	4	1	900-52602	3/4" Slip female fitting	16	1
77363	Diaphragm & Spring	5	1	900-52605	1" NPT female fitting	17	1
77369	Diaphragm & Spring	5	1	900-52606	1" BSP female fitting	18	1
900-50771	O-ring	6	1	900-52609	1" Slip fitting	19	1
976-52637	Plunger retainer	7	1	900-52601	3/4" BSP male fitting	20	1
976-52638	Plunger with spring	8	1	900-52604	3/4" NPT male fitting	21	1
77364	Body O-ring	9	1	900-52607	1" BSP male fitting	22	1
900-52597	Union Globe Body	10	1	900-52608	1" NPT male fitting	23	1
77503	Valve, Large O-ring	11	2	900-52603	3/4" Barb fitting	24	1
				900-52610	1" Barb fitting	25	1

NELSON. TURF

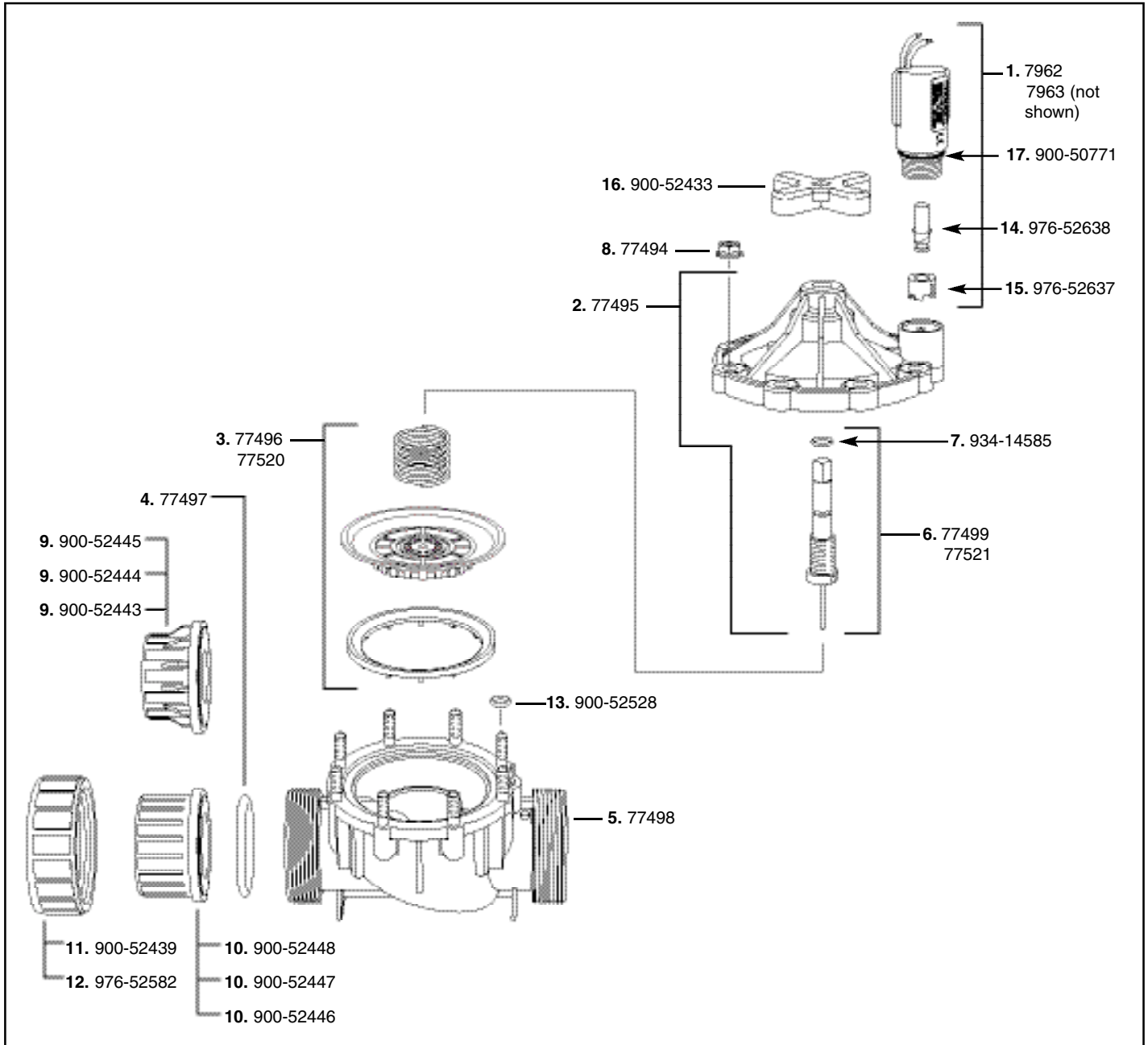
1 1/2" & 2" Heavy Duty Electric Valves Model 9515/9520 Conventional Valve Series



Part No.	Description	Item Nos.	Qty	Part No.	Description	Item Nos.	Qty
7962	Solenoid (Standard 24V)	1	1	77494	Valve 1/2" nuts	7	8
7963	Solenoid (115V) & Bleed Collar	1	1	900-52528	Valve body o-ring	8	1
77495	Valve Bonnet with F/C stem	2	1	976-52638	Plunger with spring	9	1
77496	Valve Diaphragm Kit	3	1	976-52637	Plunger retainer	10	1
77520	'RW' Valve Diaphragm Kit	3	1	900-52433	F/C Knob	11	1
976-52793	1 1/2" BSP body w/ plug installed	4	1	900-05771	O-ring	12	1
976-52791	1 1/2" NPT body w/ plug installed	4	1				
976-52794	2" BSP body w/ plug installed	4	1				
976-52792	2" NPT body w/ plug installed	4	1				
77499	Valve F/C stem with o-ring	5	1				
77521	'RW' Valve F/C stem with o-ring	5	1				
934-14585	Valve F/C stem o-ring	6	1				

NELSON. TURF

1 1/2" & 2" Heavy Duty Electric Valve Model 9502 Series

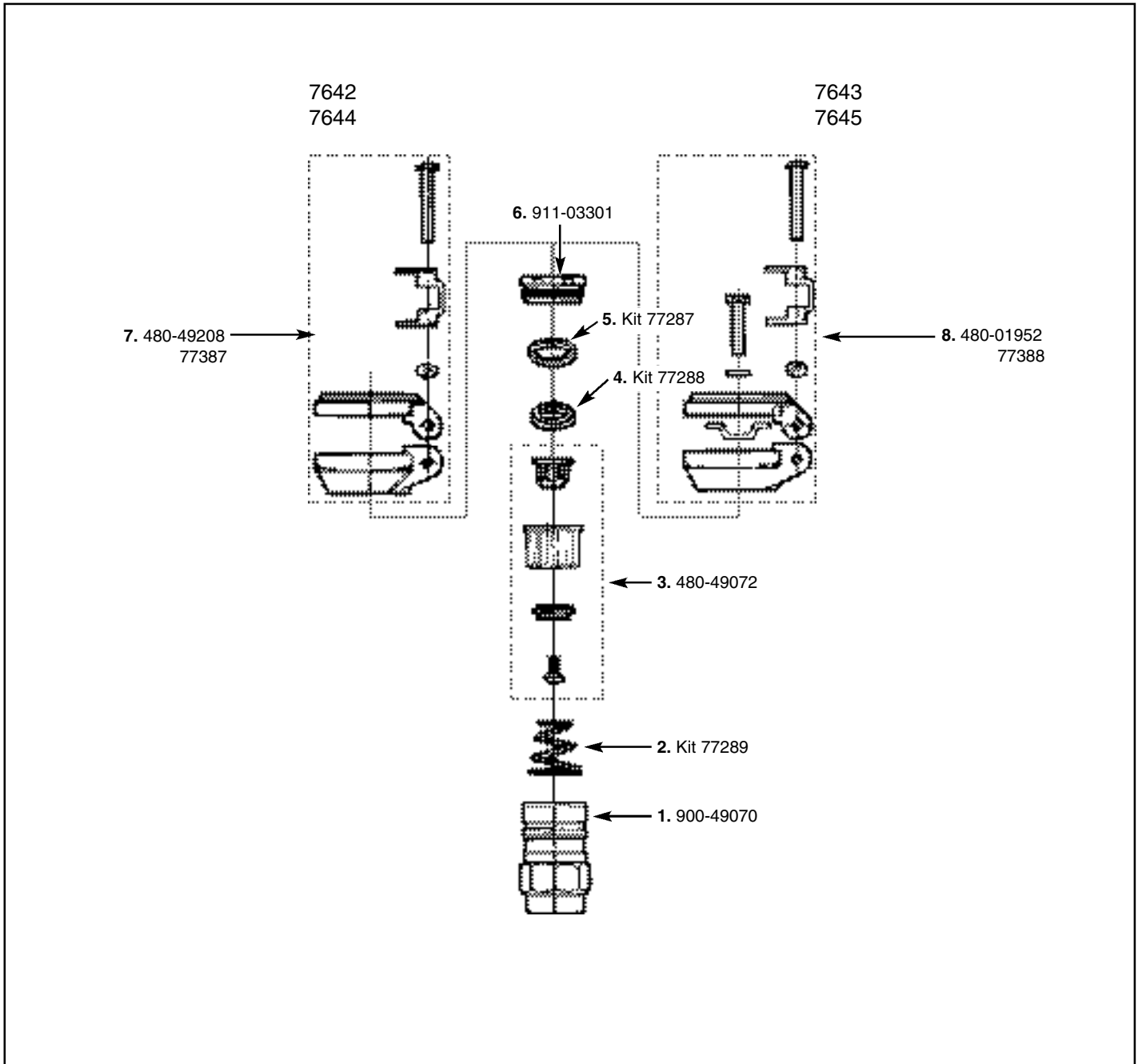


Part No.	Description	Item Nos.	Qty	Part No.	Description	Item Nos.	Qty
7962	Solenoid (Standard 24V)	1	1	900-52444	1 1/2" NPT flange	9	1
7963	Solenoid (115V) & Bleed Collar	1	1	900-52443	1 1/2" Slip flange	9	1
77495	Valve Bonnet with F/C stem	2	1	900-52448	2" BSP flange	10	1
77496	Valve Diaphragm Kit	3	1	900-52447	2" NPT flange	10	1
77520	'RW' Valve Diaphragm Kit	3	1	900-52446	2" Slip flange	10	1
77497	Valve large white o-ring	4	2	900-52439	Coupling nut	11	1
77498	Valve 2" body	5	1	976-52582	'Reclaimed water' coupling nut	12	1
77499	Valve F/C stem with o-ring	6	1	900-52528	Valve body o-ring	13	1
77521	'RW' Valve F/C stem with o-ring	6	1	976-52638	Plunger with spring	14	1
934-14585	Valve F/C stem o-ring	7	1	976-52637	Plunger retainer	15	1
77494	Valve 1/2" nuts	8	8	900-52433	F/C Knob	16	1
900-52445	1 1/2" BSP flange	9	1	900-05771	O-ring	17	1

NELSON. TURF

Quick Coupling Valves

Models: 7642, 7643, 7644, 7645 (1")



Part No.	Description	Item Nos.	Qty	Part No.	Description	Item Nos.	Qty
900-49070	Body	1	1	911-03301	Retainer Nut	6	1
77289	Spring Kit	2	2	480-49208	Guard & Lid Assy. (7642)	7	1
480-49072	Sleeve Assembly	3	1	77387	Guard & Lid Assy. - Purple (7644)	7	1
77288	U Cup Seal Kit	4	6	77388	Locking Guard Assy. - Purple (7645)	8	1
77287	Washer Kit	5	6	480-01952	Locking Guard Assy. (7643)	8	1

NELSON. TURF

Quality. Service. Guaranteed!

L.R. Nelson Corporation
One Sprinkler Lane
Peoria, Illinois 61615
LRNelson.com

999-00031
Printed in U.S.A.
© 2007 L.R. Nelson Corporation