

NETAFIM

DripMat Watering Systems

**An Affordable
Ebb and Flow
System for
Pot Watering**



How DripMat Works

DripMat's Simple Concept

Netafim's DripMat Watering System is a three-layer mat with built-in dripperline down both sides. The dripperlines distribute water evenly down the length of the mat and the central layer moves water across the width of the mat. After each irrigation, the mat drains for true ebb and flow watering.

DripMat's Three Layers

Ground Cover: Top layer provides barrier against evaporation, protects the geotextile from mechanical damage and provides a smooth surface.

Non-Woven Geotextile: Central layer provides even water distribution across the width of the mat.

Poly Plastic Film: Lower layer of tough UV inhibited poly prevents water loss through bottom of the mat.

Targeted Root Zone Watering

When the pots are placed on the mat, the downward pressure brings water through the ground cover (top layer) and into contact with the soil at the bottom and side holes. Capillary action takes the water to the root zone of the plants. With a proper watering schedule, the top surface of the soil remains dry all or most of the time, inhibiting growth of weeds and algae. DripMat reduces the fungal and bacterial problems that may arise from water on foliage and flowers wet from overhead sprinklers.

Gravity Drains Excess Water

When irrigation is turned off, drainage begins and excess water drains by gravity - pots rapidly return to a proper air and water balance. Pots do not sit in a puddle of water between irrigation cycles. The mat is tailed off at one end or side to produce a drainage/siphoning effect when irrigation stops. A relatively small volume of water is retained in the mat when drained.

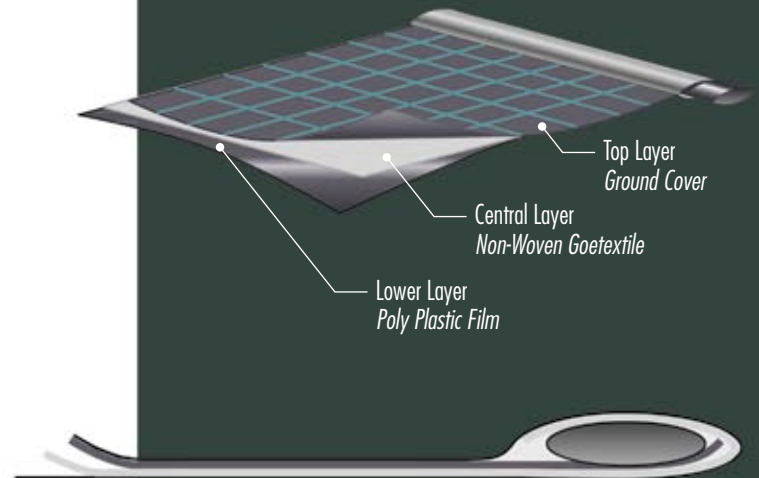
Getting Started is Simple and Affordable

Here's what you'll need to get started with a DripMat Watering System:

- A relatively smooth and even surface with no sharp objects. The bench or ground can be sloping but must be even without bumps or dips.
- A DripMat of the desired width, cut to length (*when ordering, add 12" to 24" to actual bench length, to allow for overhang and shrinkage*).
- One header pack per cut length of mat.
- A water supply with a minimum of 12 psi and adequate flow (*see Specifications section for flow rates*). Water should be filtered to 120 mesh and pressure regulated 10-15 psi.
- An optional electronic irrigation timer and solenoid valve.

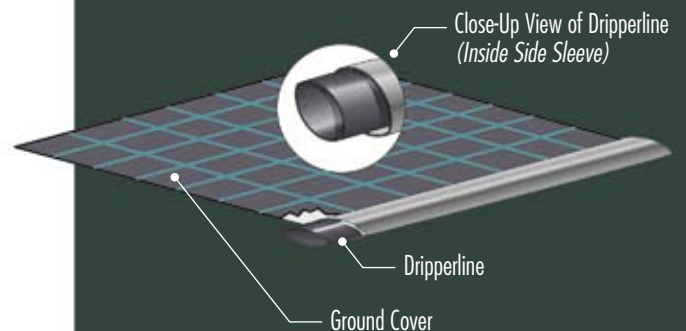
Note: Typical watering cycle is 10 to 20 minutes, 2 to 3 times a day for a mature crop in warm weather.

DripMat's Three Layers

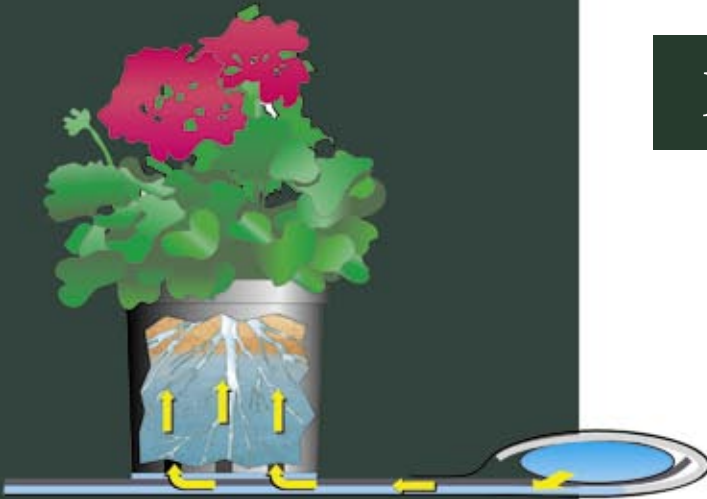


Side View of DripMat's Layers

Dripperline Inside DripMat

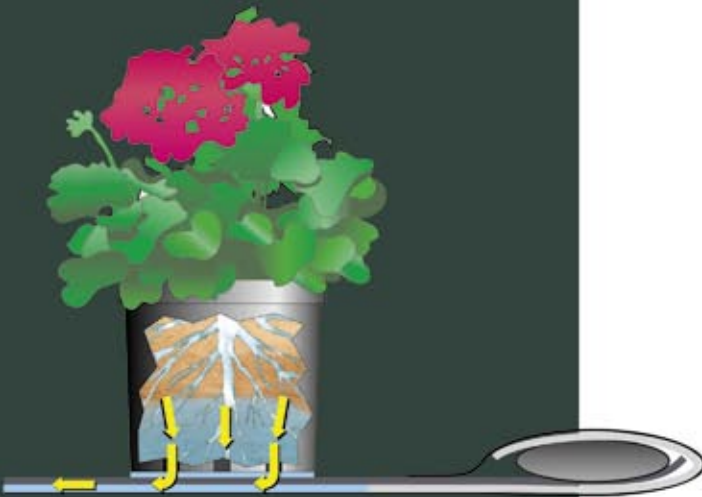


DripMat Saves Time and Money



DripMat During Irrigation

Water is evenly dispersed by an Ebb and Flow action throughout the system using the DripMat's central layer.



DripMat During Drainage

At the end of irrigation, all excess water is drained from the DripMat similar to an Ebb and Flow bench.

Healthier Plants

- Directs water to the root zone for even, efficient watering, producing plants of consistent size and quality.
- No over watering - gravity drains excess water that the soil does not absorb.
- Reduces weed infestation and algae growth in the pots.
- Eliminates flower and leaf damage caused by overhead watering.
- Reduces root growth outside the pots.
- All plants grow at the same rate because water is evenly dispersed with equal access to all pots.
- DripMat's dark color draws natural heat into irrigation water assisting in growth in cool weather.

Lower Costs

- Low cost of implementation - delivered cut to length and ready to install.
- Reduces labor costs - no hand watering needed.
- Reduces fertilizer usage - minimal leaching during irrigation.
- Typical water savings is 60% to 70% compared to overhead watering.
- Watering does not interfere with pesticide application or wash off already applied pesticides.

Easy to Use

- Simple and flexible.
- Plug trays and large pots can be placed on the same mat - each will absorb only the water it needs.
- Works on ground with up to 6 degrees of slope.
- Low water pressure required.
- Growers maintain full and easy access to plants, even while watering.
- Printed grid makes pot placement easy.

Environmentally and Consumer Friendly

- Uses less water overall - minimizes puddling during and after irrigation.
- Fertilizer run-off is completely manageable.
- Run-off reduced in volume and chemical content.
- Provides clean, professional and attractive appearance for retail environments.
- Pots are not saturated - customers can pick them up without getting wet from dripping water.



DripMat Technical Information

Applications

- Greenhouses and Outdoor Nurseries
- Sloping or Level Ground
- Wide range of Plug Trays, Pots and Potting Mixes
- Retail Environments

Specifications

- Mat Widths: 4 ft., 4.5 ft., 5 ft., 5.5 ft., 6 ft., 6.5 ft., 8.5 ft.
- Required Pressure: 10-15 psi
- Filtration: 120 mesh
- Required Flow Rate:
 - 1.5 GPM per 100' for mat widths up to 5.5'
 - 2.25 GPM per 100' for mat widths over 5.5'
- Connection: 17mm PE (.570" ID)
- Special Pots not required - any pot with bottom drainage holes is suitable

Installation Recommendations

• Greenhouse Benches

- Any material that provides reasonable support and is level in grade (bumps and dips need to be leveled)
- Side drain recommended for benches 40' length or longer
- Benches less than 40' length may be side or end drained

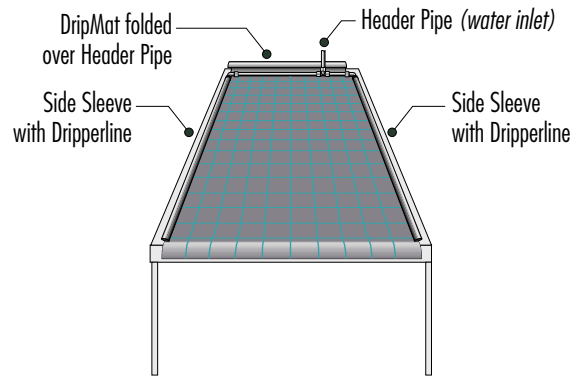
• Outdoor

- 1% to 2% slope is ideal - or up to 6%

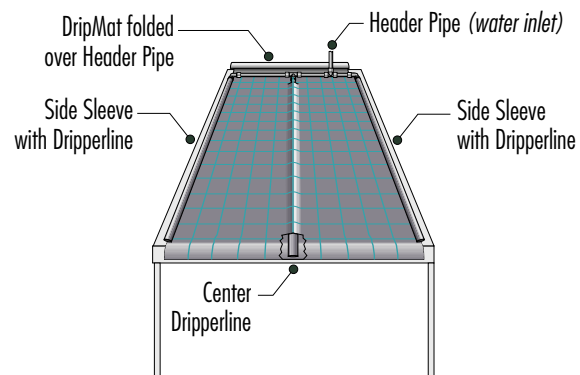
DRIPMAT PART NUMBERS

Part Number	Description
3990400	DripMat 4' Width
3990406	DripMat 4.5' Width
3990500	DripMat 5' Width
3990506	DripMat 5.5' Width
3990600	DripMat 6' Width
3990606	DripMat 6.5' Width
3990806	DripMat 8.5' Width
39HPA-VS2	DripMat Header Pack (for widths up to 5.5')
39HPB-VS2	DripMat Header Pack (for widths 6' through 8.5')

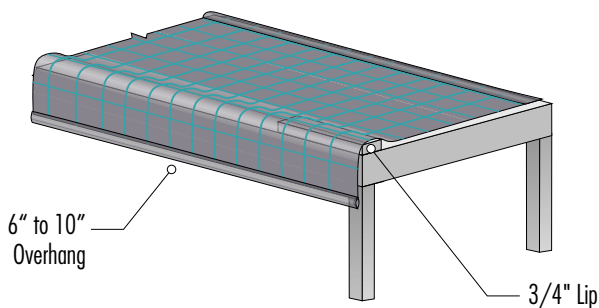
DripMat Placement/Position on Bench DripMats up to 5.5' - Two Dripperlines



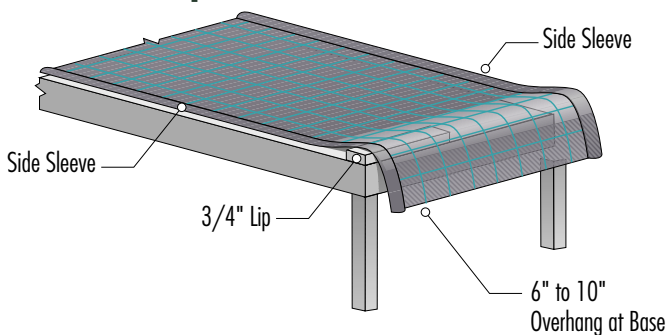
DripMat Placement/Position on Bench DripMats 6' and wider - Three Dripperlines



DripMat with Side Drain



DripMat with End Drain



NETAFIM USA
 5470 E. Home Ave. • Fresno, CA 93727
 888.638.2346 • 559.453.6800
 FAX 800.695.4753
www.netafimusa.com